

**695 / 795 / 1095 / Mark IV / Mark V / Mark VII / Mark X
Electric Airless Sprayers**

333281F

EN

For Portable Airless Spraying of Architectural Coatings and Paints.

For professional use only. Not approved for use in European explosive atmosphere locations.

3300 psi (227 bar, 22.7 MPa) Maximum Working Pressure



Important Safety Instructions

Read all warnings and instructions in this manual. Be familiar with the controls and the proper usage of the equipment. Save these instructions.

Related Manuals:



332916



309495

308491

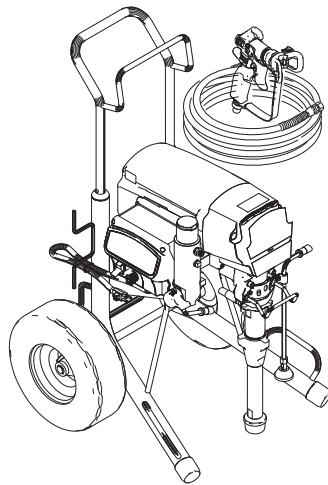
311861

311254

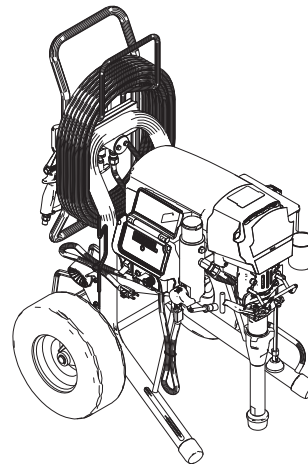


333028

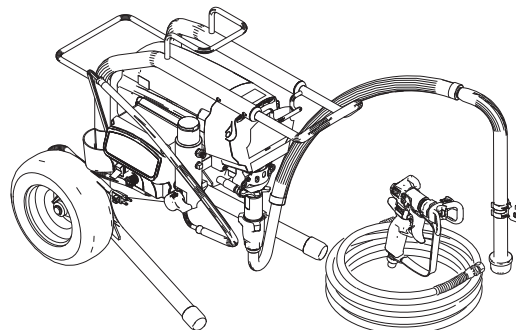
332922



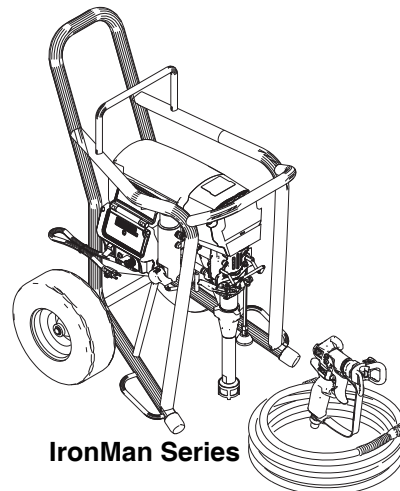
Standard Hi-Boy Series



ProContractor Series



Standard Lo-Boy Series



IronMan Series

ti22882a



Models

| 695 Ultra Max, Standard, ProContractor, IronMan Models | | | | | |
|---|---------|-----------------|-----------------|---------------|---------|
| Model | Voltage | Standard Hi-Boy | Standard Lo-Boy | ProContractor | IronMan |
| 16X656 | 230 | X | | | |
| 16X657 | 230 | X | | | |
| 16X658 | 120 | X | | | |
| 16X659 | 120 | X | | | |
| 16X660 | 230 | X | | | |
| 16X811 | 120 | | X | | |
| 16X812 | 230 | | X | | |
| 16Y635 | 230 | | | X | |
| 16Y637 | 230 | | | X | |
| 16Y638 | 120 | | | X | |
| 16Y639 | 230 | | | X | |

| 795 Ultra Max, Standard, ProContractor, IronMan Models | | | | | |
|---|---------|-----------------|-----------------|---------------|---------|
| Model | Voltage | Standard Hi-Boy | Standard Lo-Boy | ProContractor | IronMan |
| 16X813 | 230 | | X | | |
| 16X870 | 230 | X | | | |
| 16X871 | 230 | X | | | |
| 16X872 | 120 | X | | | |
| 16X873 | 230 | X | | | |
| 16Y895 | 230 | | | X | |
| 16Y896 | 230 | | | X | |
| 16Y897 | 230 | | | X | |
| 16Y898 | 120 | | | X | |
| 16Y899 | 120 | | | X | |

| 1095 Ultra Max, Standard, ProContractor, IronMan Models | | | | | |
|--|---------|-----------------|-----------------|---------------|---------|
| Model | Voltage | Standard Hi-Boy | Standard Lo-Boy | ProContractor | IronMan |
| 16X874 | 230 | X | | | |
| 16X875 | 230 | X | | | |
| 16X881 | 230 | X | | | |
| 16X882 | 120 | X | | | |
| 16Y829 | 230 | | | X | |
| 16Y830 | 230 | | | X | |
| 16Y831 | 120 | | | X | |
| 16Y832 | 230 | | | X | |
| 16Y833 | 120 | | | X | |
| 16Y869 | 230 | | | | X |
| 16Y871 | 230 | | | | X |

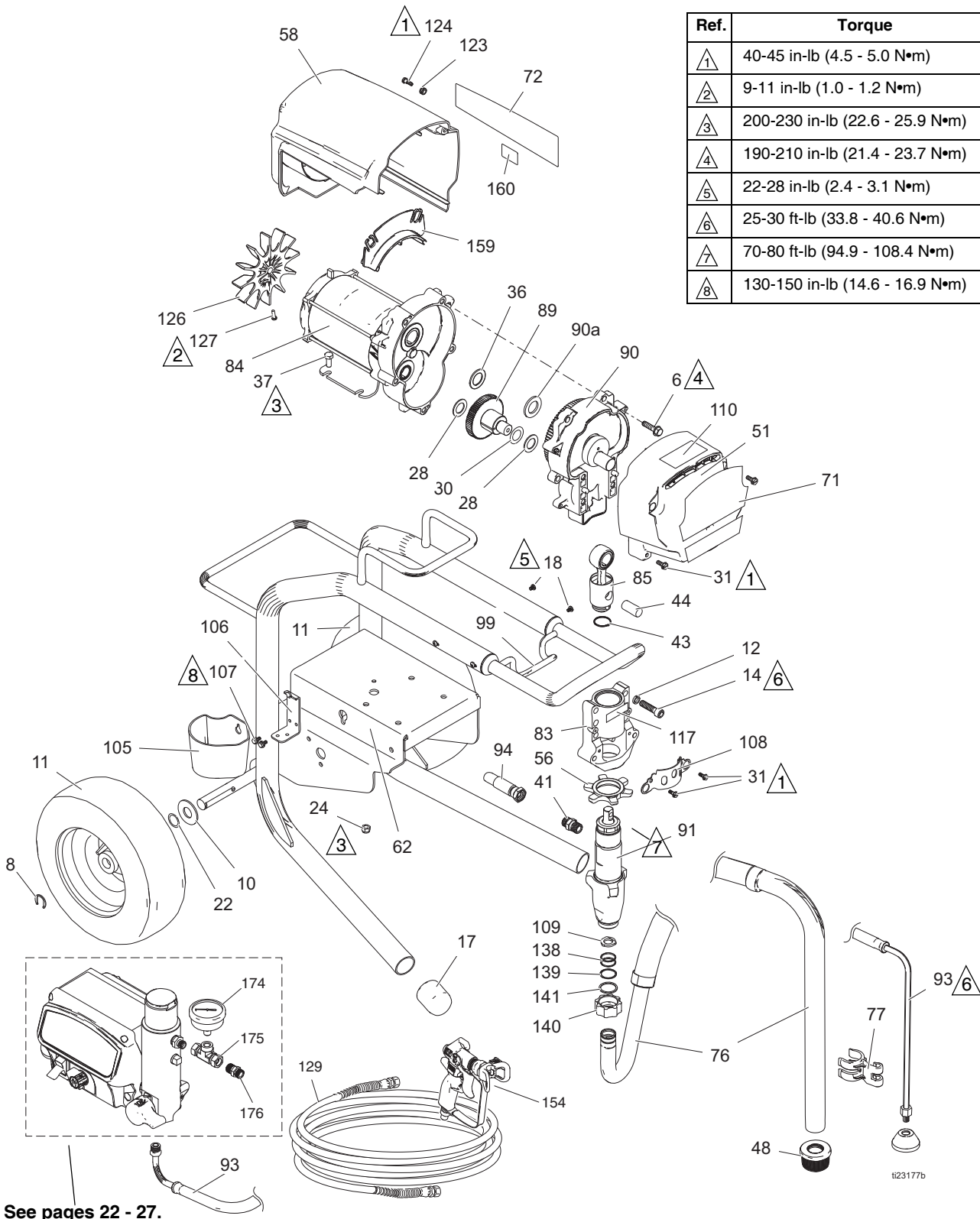
| Mark IV/Mark V/Mark VII/Mark X Standard, ProContractor, IronMan Models | | | | | | | | | | | | |
|--|----------|---------|-----------------|----------------|---------|---------------|------------------|-----------------------|---|--|---|--|
| Model # | Model | Voltage | Standard Hi-Boy | Pro-Contractor | IronMan | Flex Plus Gun | Blue Texture Gun | HD Inline Texture Gun | 3/8in x 50ft + 1/4in x 3ft whip (9.5mm x 15m + 6.4mm x 0.9m whip) | 3/8in x 100ft + 1/4in x 3ft whip (9.5mm x 30m + 6.4mm x 0.9m whip) | 1/2in x 50ft + 3/8in x 12ft whip (12.7mm x 15m + 9.5mm x 3.7m whip) | 1/2in x 100ft + 3/8in x 12ft whip (12.7mm x 30m + 9.5mm x 3.7m whip) |
| 16X953 | Mark IV | 230 | X | | | X | | | X | | | |
| 16X954 | Mark IV | 230 | X | | | X | | | X | | | |
| 16X956 | Mark IV | 230 | X | | | X | | | X | | | |
| 16Y892 | Mark IV | 230 | | X | | X | | | | X | | |
| 16Y893 | Mark IV | 230 | | X | | X | | | | X | | |
| 16Y894 | Mark IV | 230 | | X | | X | | | | X | | |
| 16X944 | Mark V | 230 | X | | | | X | | X | | | |
| 16X947 | Mark V | 120 | | | X | | X | | | X | | |
| 16X965 | Mark V | 230 | X | | | | X | | X | | | |
| 16X966 | Mark V | 120 | X | | | | X | | X | | | |
| 16X967 | Mark V | 230 | X | | | | X | | X | | | |
| 16Y864 | Mark V | 230 | | X | | | X | | | X | | |
| 16Y865 | Mark V | 230 | | X | | | X | | | X | | |
| 16Y866 | Mark V | 120 | | X | | | X | | | X | | |
| 16Y867 | Mark V | 230 | | X | | | X | | | X | | |
| 16Y868 | Mark V | 120 | | X | | | X | | | X | | |
| 16Y872 | Mark V | 230 | | | X | | X | | | X | | |
| 16X948 | Mark V | 230 | | | X | | X | | | X | | |
| 16Y874 | Mark V | 230 | | | X | | X | | | X | | |
| 16Y763 | Mark VII | 230 | X | | | | X | | | | X | |
| 16Y919 | Mark VII | 230 | X | | | | X | | | | X | |
| 16Y920 | Mark VII | 230 | | X | | | | X | | | | X |
| 16Y921 | Mark VII | 230 | | X | | | | X | | | | X |
| 16Y534 | Mark X | 230 | X | | | | | X | | | X | |
| 16Y535 | Mark X | 230 | X | | | | | X | | | X | |
| 16Y536 | Mark X | 230 | X | | | | | X | | | X | |
| 16Y910 | Mark X | 230 | | X | | | | X | | | | X |
| 16Y912 | Mark X | 230 | | X | | | | X | | | | X |
| 16Y913 | Mark X | 230 | | X | | | | X | | | | X |

Table of Contents

| | | | |
|---|-----------|--------------------------------------|-----------|
| Models | 2 | Mark X ProContractor | 18 |
| Notes | 5 | Mark X ProContractor | 19 |
| 695/795 Lo-Boy Standard | 6 | 1095/Mark V IronMan | 20 |
| 695/795 Lo-Boy Standard Parts List | 7 | 1095/Mark V IronMan | 21 |
| 695/795/Mark IV Hi-Boy Standard | 8 | Hose Reel and Gun | 22 |
| 695/795/Mark IV Hi-Boy Standard Parts List ... | 9 | Parts List | 22 |
| 1095/Mark V/Mark VII Hi-Boy Standard | 10 | Control Box | 23 |
| 1095/Mark V/Mark VII Hi-Boy Standard | 11 | Parts List | 24 |
| Mark X Standard | 12 | Wiring Diagram | 25 |
| Mark X Standard Parts List | 13 | Wiring Diagram | 26 |
| 695/795/MARK IV ProContractor | 14 | Filter | 27 |
| 695/795/MARK IV ProContractor Parts List ... | 15 | Parts List | 27 |
| 1095/MARK V/Mark VII ProContractor | 16 | Graco Standard Warranty | 28 |
| 1095/MARK V/Mark VII ProContractor Parts List | 17 | | |

695/795 Lo-Boy Standard

| Ref. | Torque |
|------|---------------------------------|
| 1 | 40-45 in-lb (4.5 - 5.0 N•m) |
| 2 | 9-11 in-lb (1.0 - 1.2 N•m) |
| 3 | 200-230 in-lb (22.6 - 25.9 N•m) |
| 4 | 190-210 in-lb (21.4 - 23.7 N•m) |
| 5 | 22-28 in-lb (2.4 - 3.1 N•m) |
| 6 | 25-30 ft-lb (33.8 - 40.6 N•m) |
| 7 | 70-80 ft-lb (94.9 - 108.4 N•m) |
| 8 | 130-150 in-lb (14.6 - 16.9 N•m) |



See pages 22 - 27.

695/795 Lo-Boy Standard Parts List

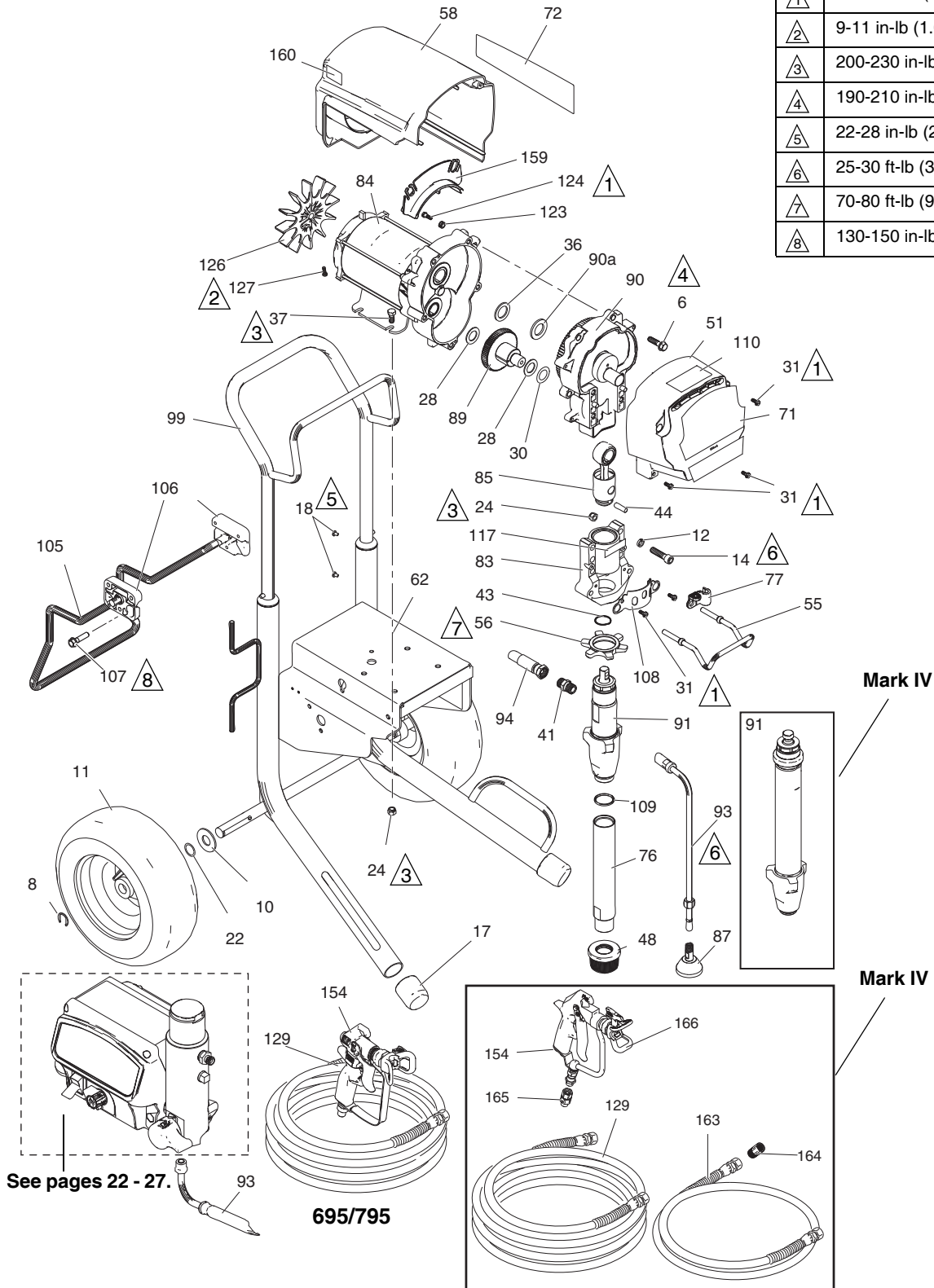
| Ref. | Part | Description | Qty. | Ref. | Part | Description | Qty. |
|------|--------|---|------|------|--------|---|------|
| 6 | 15C753 | SCREW, mach, torx, hex | 5 | 85 | 241008 | ROD, connecting; <i>includes 43</i> | 1 |
| 8 | 15E891 | CLIP, retaining | 2 | 87 | 241920 | DEFLECTOR, threaded | 1 |
| 10 | 156306 | WASHER, flat | 2 | 89 | 287289 | GEAR, combination; <i>includes 28, 30</i> | 1 |
| 11* | 119420 | WHEEL, pneumatic | 2 | | | | |
| 12 | 106115 | WASH, lock, spring | 4 | 90 | 287283 | HOUSING, drive, M1; <i>includes 6, 36, 90a</i> | 1 |
| 14 | 110141 | SCREW, cap, socket hd | 4 | | | | |
| 17 | 15C871 | CAP, leg | 2 | 90a | 107089 | WASHER, race, thrust | 1 |
| 18 | 109032 | SCREW, mach, pnh | 4 | 91 | 16Y598 | PUMP, displacement 695/795 | 1 |
| 22 | 116038 | WASHER, wave spring | 2 | 93 | 248217 | HOSE, drain; <i>includes 87</i> | 1 |
| 24 | 111040 | NUT, hex, flanged | 4 | 94 | 16X904 | HOSE, coupled, 1/4 x 15.75 | 1 |
| 28 | 114672 | WASHER, thrust | 2 | 99 | 24A249 | HANDLE, cart | 1 |
| 30 | 114699 | WASHER, thrust | 1 | 105 | 276975 | CUP, drain | 1 |
| 31 | 118444 | SCREW, machine, hex washer hd | 6 | 106 | 15F952 | BRACKET, drain cup | 1 |
| 36 | 116191 | WASHER, thrust | 1 | 107 | 114423 | SCREW, mach, hex hd | 2 |
| 37 | 100057 | SCREW, cap, hex hd | 4 | 108 | 16X770 | SHIELD, pump rod | 1 |
| 41 | 196178 | FITTING | 1 | 109 | 115099 | WASHER, garden hose | 1 |
| 43 | 176817 | SPRING, retaining | 1 | 110 | 16X983 | LABEL, standard series | 1 |
| 44 | 176818 | PIN, str, hdls | 1 | 117 | 187437 | LABEL, torque | 1 |
| 48 | 189920 | STRAINER, (1-11 1/2 NPSM) | 1 | 123 | 276980 | GROMMET, cover | 2 |
| 51 | 24V023 | COVER, drive, plastic, painted; <i>includes 31</i> | 1 | 124 | 119250 | SCREW, shoulder, hex washer | 2 |
| | | | | 126 | 15D088 | FAN, motor | 1 |
| 56 | 192723 | NUT, retaining | 1 | 127 | 115477 | SCREW, mach, torx, pan hd | 1 |
| 58 | 287281 | 695 SHIELD, motor, painted; <i>includes 123, 124</i> | 1 | 128▲ | 222385 | TAG, WARNING (not shown) | 1 |
| | | | | 129 | 240794 | HOSE, cpld, 1/4 in. x 50 ft | 1 |
| 62 | 24Y424 | FRAME, cart | 1 | 138 | 117559 | O-RING | 2 |
| 71 | | LABEL | 1 | 139 | 118505 | RING, retaining, external | 1 |
| | 16X364 | 695 | | 140 | 15C980 | NUT, jam | 1 |
| | 16X367 | 795 | | 141 | 15C981 | WASHER, suction swivel | 1 |
| 72 | | LABEL | 1 | 154 | 288420 | GUN, contractor | 1 |
| | 16X365 | 695 | | 159 | 278075 | BAFFLE | 1 |
| | 16X366 | 795 | | 160 | 15Y118 | LABEL, Made in USA | 1 |
| 76 | 248216 | HOSE, suction; <i>includes 109, 138, 139, 140, 141</i> | 1 | 174 | 115523 | GAUGE, pressure | 1 |
| 77 | 15D000 | CLIP, drain line | 1 | 175 | 119783 | FITTING, tee swivel | 1 |
| 83 | 24V026 | HOUSING, bearing; <i>includes 12, 14, 31, 108, 117</i> | 1 | 176 | 162453 | FITTING | 1 |
| 84 | 257185 | MOTOR, electric; <i>includes 126, 127</i> | 1 | | | | |

* 253132 KIT, repair, tube, 11 in.

▲Extra Danger & Warning tags & labels available free.

695/795/Mark IV Hi-Boy Standard

| Ref. | Torque |
|------|---------------------------------|
| △1 | 40-45 in-lb (4.5 - 5.0 N•m) |
| △2 | 9-11 in-lb (1.0 - 1.2 N•m) |
| △3 | 200-230 in-lb (22.6 - 25.9 N•m) |
| △4 | 190-210 in-lb (21.4 - 23.7 N•m) |
| △5 | 22-28 in-lb (2.4 - 3.1 N•m) |
| △6 | 25-30 ft-lb (33.8 - 40.6 N•m) |
| △7 | 70-80 ft-lb (94.9 - 108.4 N•m) |
| △8 | 130-150 in-lb (14.6 - 16.9 N•m) |

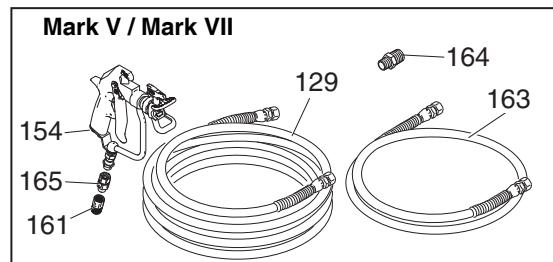
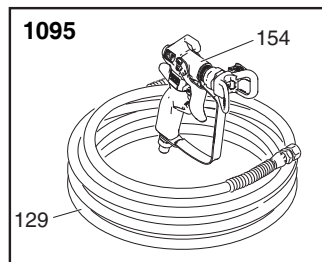
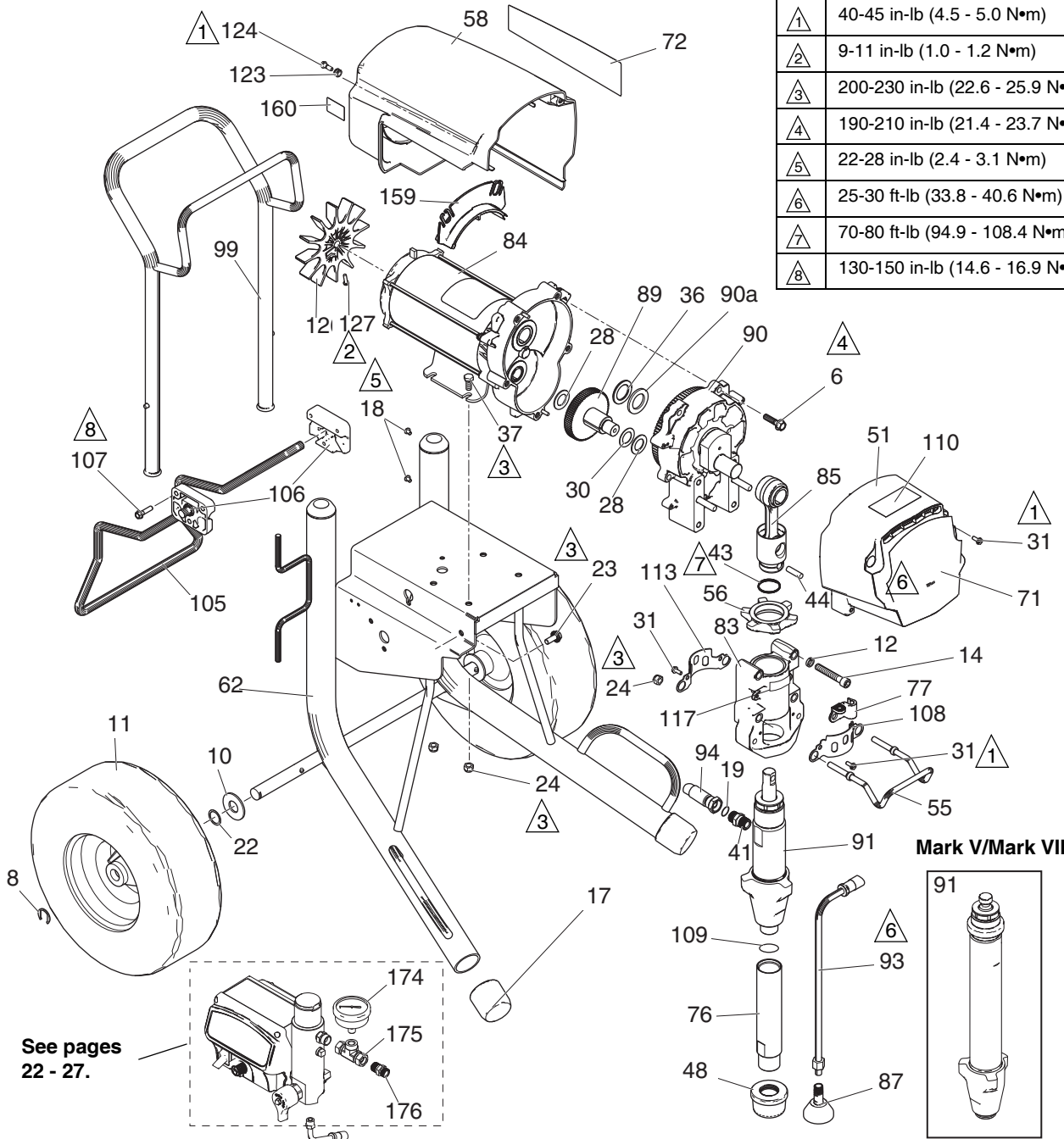


695/795/Mark IV Hi-Boy Standard Parts List

| Ref. | Part | Description | Qty. | Ref. | Part | Description | Qty. |
|------|--------|--|------|---|--------|-----------------------------------|------|
| 6 | 15C753 | SCREW, mach, torx, hex | 5 | | 287284 | 795 | |
| 8 | 15E891 | CLIP, retaining | 2 | 90a | 107089 | WASHER, race, thrust | 1 |
| 10 | 156306 | WASHER, flat | 2 | 91 | | PUMP, displacement; | 1 |
| 11* | 119420 | WHEEL, pneumatic | 2 | | | <i>includes 41, 109</i> | |
| 12 | 106115 | WASH, lock, spring | 4 | | 16Y598 | 695/795 | |
| 14 | 110141 | SCREW, cap, socket hd | 4 | | 16X428 | Mark IV | |
| 17 | 15C871 | CAP, leg | 2 | 93 | 244240 | HOSE, coupled; <i>includes 87</i> | 1 |
| 18 | 109032 | SCREW, mach, pnh | 4 | 94 | 16X904 | HOSE, coupled, 1/4 x 15.75 | 1 |
| 22 | 116038 | WASHER, wave spring | 2 | 99 | 287489 | HANDLE, cart | 1 |
| 24 | 111040 | NUT, hex, flanged | 6 | 105 | 16X695 | HANGER, stand, cart | 1 |
| 28 | 114672 | WASHER, thrust | 2 | 106 | 15C982 | CAM, cart | 2 |
| 30 | 114699 | WASHER, thrust | 1 | 107 | 114531 | SCREW, mach, hex washer | 4 |
| 31 | 118444 | SCREW, machine, hex washer hd | 6 | 108 | 16X770 | SHIELD, pump rod | 1 |
| 36 | 116191 | WASHER, thrust | 1 | 109 | 118494 | PACKING, o-ring | 1 |
| 37 | 100057 | SCREW, cap, hex hd | 4 | 110 | 16X983 | LABEL, standard series | 1 |
| 41 | 196178 | FITTING | 1 | 117 | 187437 | LABEL, torque | 1 |
| 43 | 176817 | SPRING, retaining | 1 | 123 | 276980 | GROMMET, cover | 2 |
| 44 | 176818 | PIN, str, hdls | 1 | 124 | 119250 | SCREW, shoulder, hex, washer | 2 |
| 48 | 189920 | STRAINER, (1-11 1/2 NPSM) | 1 | 126 | 15D088 | FAN, motor | 1 |
| 51 | 24V023 | COVER, drive, plastic, painted; <i>includes 31</i> | 1 | 127 | 115477 | SCREW, mach, torx, pan, hd | 1 |
| 55 | 16C457 | HANGER, pail | 1 | 128▲ | 222385 | TAG, WARNING (not shown) | 1 |
| 56 | 192723 | NUT, retaining | 1 | 129 | | HOSE, cpld | 1 |
| 58 | | SHIELD, motor, painted; <i>includes 123, 124</i> | 1 | | 240794 | 695/795 | |
| | 287281 | 695/Mark IV | | | 240797 | Mark IV | |
| | 287282 | 795 | | 154 | | GUN, contractor | 1 |
| 62 | 24Y429 | FRAME, cart | 1 | | 288420 | 695/795 | |
| 71 | | LABEL | 1 | | 246468 | Mark IV | |
| | 16X364 | Ultra 695 | | 159 | 278075 | BAFFLE | 1 |
| | 16X367 | Ultra 795 | | 160 | 15Y118 | LABEL, Made in USA | 1 |
| | 16X357 | TexSpray Mark IV | | 163 | 241735 | HOSE, coupled, 1/4 in. x 3 ft | 1 |
| 72 | | LABEL | 1 | 164 | 159841 | BUSHING, 3/8 in. x 1/4 in. | 1 |
| | 16X365 | Ultra 695 | | 165 | 189018 | SWIVEL, assembly | 1 |
| | 16X366 | Ultra 795 | | 166 | 246215 | GUARD, RAC X | 1 |
| | 16X354 | TexSpray Mark IV | | 174 | 115523 | GAUGE, pressure | 1 |
| 76 | 248214 | TUBE, intake; <i>includes 109</i> | 1 | 175 | | FITTING, tee swivel | 1 |
| 77 | 278204 | CLIP, spring | 1 | | 119783 | 695/795 | |
| 83 | 24V026 | HOUSING, bearing; <i>includes 12, 14, 24, 31, 55, 77, 108, 117</i> | 1 | | 127518 | Mark IV | |
| 84 | | MOTOR, electric; <i>includes 106, 127</i> | 1 | 176 | | FITTING | 1 |
| | 257185 | 695/Mark IV | | | 162453 | 695/795 | |
| | 257186 | 795 | | | 196178 | Mark IV | |
| 85 | 241008 | ROD, connecting; <i>includes 43</i> | 1 | ▲ <i>Extra Danger and Warning tags and labels available free.</i> | | | |
| 87 | 241920 | DEFLECTOR, threaded | 1 | * <i>253132 KIT, repair, tube</i> | | | |
| 89 | 287289 | GEAR, combination; <i>includes 28, 30</i> | 1 | | | | |
| 90 | | HOUSING, drive, M1; <i>includes 6, 36, 90a</i> | 1 | | | | |
| | 287283 | 695/Mark IV | | | | | |

1095/Mark V/Mark VII Hi-Boy Standard

| Ref. | Torque |
|------|---------------------------------|
| ① | 40-45 in-lb (4.5 - 5.0 N•m) |
| ② | 9-11 in-lb (1.0 - 1.2 N•m) |
| ③ | 200-230 in-lb (22.6 - 25.9 N•m) |
| ④ | 190-210 in-lb (21.4 - 23.7 N•m) |
| ⑤ | 22-28 in-lb (2.4 - 3.1 N•m) |
| ⑥ | 25-30 ft-lb (33.8 - 40.6 N•m) |
| ⑦ | 70-80 ft-lb (94.9 - 108.4 N•m) |
| ⑧ | 130-150 in-lb (14.6 - 16.9 N•m) |



ti23223c

1095/Mark V/Mark VII Hi-Boy Standard

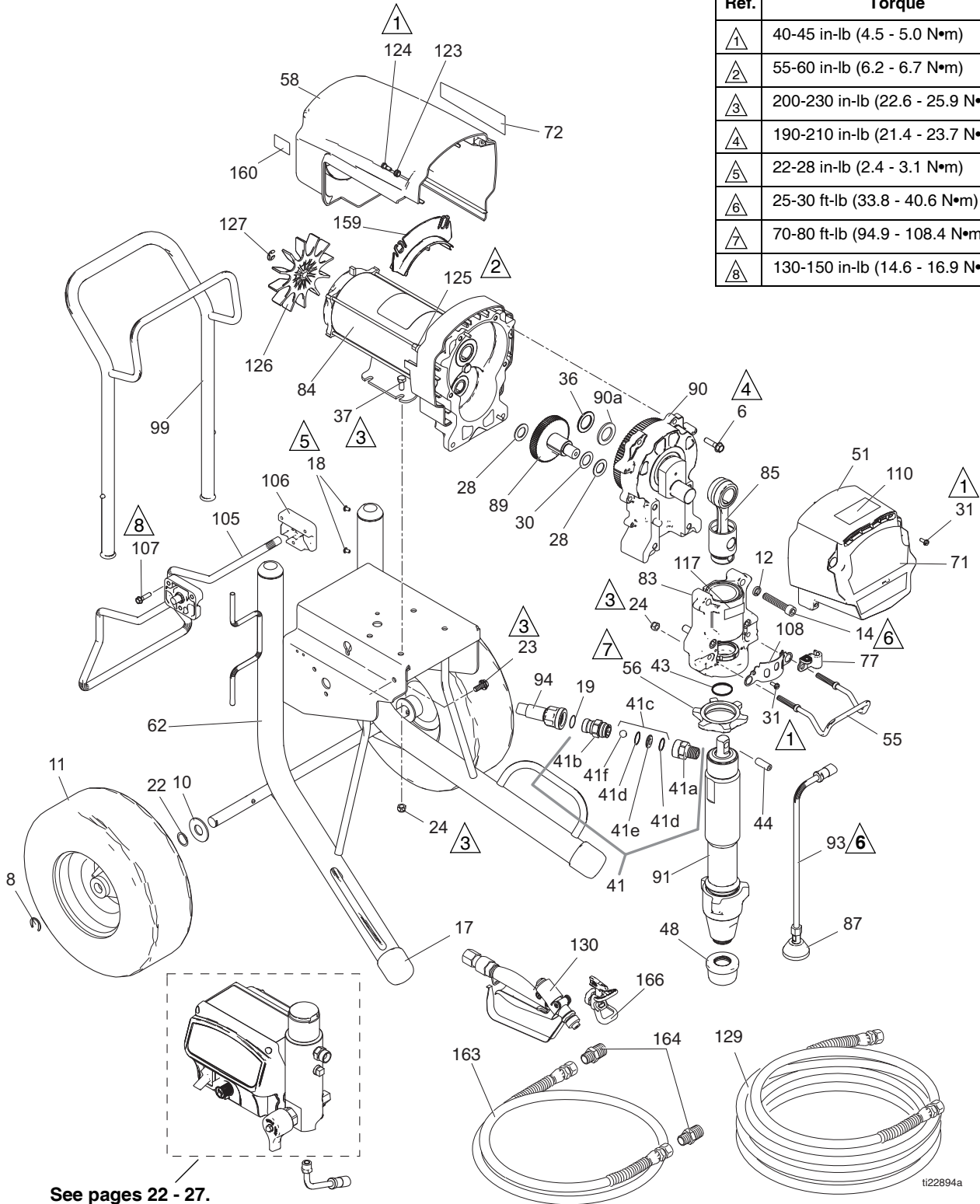
| Ref. | Part | Description | Qty. | Ref. | Part | Description | Qty. |
|------|--------|---|------|------|--------|--|------|
| 6 | 15C753 | SCREW, mach, torx, hex | 5 | | 287295 | 1095/Mark V | |
| 8 | 15E891 | CLIP, retaining | 2 | 90a | 194173 | WASHER, race, thrust | 1 |
| 10 | 156306 | WASHER, flat | 2 | 91 | | PUMP, displacement; <i>includes 41, 76, 109</i> | 1 |
| 11* | 119509 | WHEEL, pneumatic | 2 | | 16Y706 | 1095 | |
| 12 | 106115 | WASH, lock, spring | 4 | | 16Y601 | Mark VII | |
| 14 | 114666 | SCREW, cap, socket hd | 4 | | 16X429 | Mark V | |
| 17 | 276974 | CAP, leg | 2 | 93 | 244240 | HOSE, drain; <i>includes 87</i> | 1 |
| 18 | 108795 | SCREW, mach, pnh | 4 | 94 | | HOSE, coupled | 1 |
| 19 | 102982 | PACKING, o-ring (Mark V/Mark VII) | 1 | | 16X904 | 1095 | |
| 22 | 116038 | WASHER, wave spring | 2 | | 24V029 | Mark V/Mark VII; <i>includes 19</i> | |
| 23 | 117791 | SCREW, cap, flng hd | 2 | 99 | 24A250 | HANDLE, cart | 1 |
| 24 | 111040 | NUT, hex, flanged | 6 | 105 | 16X696 | HANGER, stand, cart | 1 |
| 28 | 114672 | WASHER, thrust | 2 | 106 | 15C982 | CAM, cart | 2 |
| 30 | 114699 | WASHER, thrust | 1 | 107 | 114531 | SCREW, mach, hex washer | 4 |
| 31 | 118444 | SCREW, machine, hex washer hd | 8 | 108 | 16X770 | PUMP, shield rod | 1 |
| 36 | 116192 | WASHER, thrust | 1 | 109 | 118494 | PACKING, o-ring | 1 |
| 37 | 100057 | SCREW, cap, hex hd | 4 | 110 | 16X983 | LABEL, Ultra Premium, sides | 1 |
| 41 | | FITTING, pump, quick disc | 1 | 113 | 15C762 | SHIELD, pump rod | 1 |
| | 196178 | 1095 | | 117 | 187437 | LABEL, torque | 1 |
| | 16X834 | Mark V/Mark VII | | 123 | 276980 | GROMMET, cover | 2 |
| 43 | 119778 | SPRING, retaining | 1 | 124 | 119250 | SCREW, shoulder, hex, washer | 3 |
| 44 | 183210 | PIN, pump | 1 | 126 | 15D088 | FAN, motor | 1 |
| 48 | 189920 | STRAINER, (1-11 1/2 NPSM) | 1 | 127 | 115477 | SCREW, mach, torx, pan, hd | 1 |
| 51 | 24V024 | COVER, drive, plastic, painted; <i>includes 31</i> | 1 | 128▲ | 222385 | TAG, WARNING (not shown) | 1 |
| 55 | 16C457 | HANGER, pail | 1 | 129 | | HOSE, cpld | 1 |
| 56 | 193031 | NUT, retaining | 1 | | 240794 | Ultra 1095 | |
| 58 | 287282 | SHIELD, motor, painted; <i>includes 123, 124</i> | 1 | | 278499 | Mark VII | |
| 62 | 24Y428 | FRAME, cart 1095 | 1 | 154 | 240797 | Mark V | |
| 71 | | LABEL, UltraMax | 1 | | | GUN, contractor 1095 | 1 |
| | 16X368 | 1095 | | | 288420 | 1095 | |
| | 16Y960 | Mark VII | | | 289605 | Mark VII | |
| | 16X360 | Mark V | | | 289605 | Mark V | |
| 72 | | LABEL, UltraMax II | 1 | 159 | 278075 | BAFFLE | 1 |
| | 16X369 | 1095 | | 160 | 15Y118 | LABEL, Made in USA | 1 |
| | 16Y961 | Mark VII | | 161 | 110476 | FITTING, Mark VII | 1 |
| | 16X361 | Mark V | | 163 | | HOSE, whip | 1 |
| 76 | 248215 | TUBE, intake; <i>includes 109</i> | 1 | | 191239 | Mark VII | |
| 77 | 278204 | CLIP, drain line | 1 | | 241735 | Mark V | |
| 83 | 24V027 | HOUSING, bearing; <i>includes 12, 14, 24, 31, 55, 77, 108, 113, 117</i> | 1 | 164 | | FITTING, hose | 1 |
| 84 | | MOTOR, electric; <i>includes 126, 127</i> | 1 | | 159239 | Mark VII | |
| | 257187 | 1095/Mark V | | | 159841 | Mark V | |
| | 257188 | Mark VII/UK Mark V | | 165 | 189018 | SWIVEL, assembly | 1 |
| 85 | 24V021 | ROD, connecting; <i>includes 43, 44</i> | 1 | 174 | 115523 | GAUGE, pressure | 1 |
| 87 | 241920 | DEFLECTOR, threaded | 1 | 175 | | FITTING, tee | |
| 89 | 287290 | GEAR, combination; <i>includes 28, 30</i> | 1 | | 119783 | 1095 | |
| 90 | | HOUSING, drive, M1; <i>includes 6, 36, 90a</i> | 1 | | 127518 | Mark V/Mark VII | |
| | 24M417 | Mark VII | | 176 | | FITTING | 1 |
| | | | | | 162453 | 1095 | |
| | | | | | 183285 | Mark VII | |
| | | | | | 196178 | Mark V | |

▲ Extra Danger and Warning tags and labels available free.

* 253131 KIT, repair, tube

Mark X Standard

| Ref. | Torque |
|------|---------------------------------|
| ▲1 | 40-45 in-lb (4.5 - 5.0 N•m) |
| ▲2 | 55-60 in-lb (6.2 - 6.7 N•m) |
| ▲3 | 200-230 in-lb (22.6 - 25.9 N•m) |
| ▲4 | 190-210 in-lb (21.4 - 23.7 N•m) |
| ▲5 | 22-28 in-lb (2.4 - 3.1 N•m) |
| ▲6 | 25-30 ft-lb (33.8 - 40.6 N•m) |
| ▲7 | 70-80 ft-lb (94.9 - 108.4 N•m) |
| ▲8 | 130-150 in-lb (14.6 - 16.9 N•m) |



See pages 22 - 27.

Mark X Standard Parts List

| Ref. | Part | Description | Qty. | Ref. | Part | Description | Qty. |
|------|--------|--|------|------|--------|---|------|
| 6 | 15C753 | SCREW, mach, torx, hex | 6 | 84 | 258909 | MOTOR, electric; <i>includes 125, 126, 127</i> | 1 |
| 8 | 15E891 | CLIP, retaining | 2 | 85 | 24V022 | ROD, connecting; <i>includes 43, 44</i> | 1 |
| 10 | 156306 | WASHER, flat | 2 | 87 | 241920 | DEFLECTOR, threaded | 1 |
| 11* | 119509 | WHEEL, pneumatic | 2 | 89 | 288035 | GEAR, combination; <i>includes 28, 30</i> | 1 |
| 12 | 112600 | WASH, lock, spring | 4 | 90 | 287990 | HOUSING, drive; <i>includes 6, 36, 90a</i> | 1 |
| 14 | 112599 | SCREW, cap, socket hd | 4 | 90a | 194173 | WASHER, race, thrust | 1 |
| 17 | 276974 | CAP, leg | 2 | 91 | 16X425 | PUMP, displacement | 1 |
| 18 | 108795 | SCREW, mach, pnh | 4 | 93 | 244240 | HOSE, drain; <i>includes 87</i> | 1 |
| 19 | 102982 | O-RING | 1 | 94 | 24V029 | HOSE, coupled; <i>includes 19</i> | 1 |
| 22 | 116038 | WASHER, wave spring | 2 | 99 | 24A250 | HANDLE, cart | 1 |
| 23 | 117791 | SCREW, cap, flng hd | 2 | 105 | 16X696 | HANGER, stand, cart | 1 |
| 24 | 111040 | NUT, lock | 6 | 106 | 15C982 | CAM, cart | 2 |
| 28 | 114672 | WASHER, thrust | 2 | 107 | 114531 | SCREW, mach, hex washer | 4 |
| 30 | 114699 | WASHER, thrust | 1 | 108 | 16X770 | SHIELD, pump rod | 1 |
| 31 | 118444 | SCREW, machine, hex washer hd | 6 | 110 | 16X983 | LABEL, Standard series | 1 |
| 36 | 116192 | WASHER, thrust | 1 | 117 | 187437 | LABEL, torque | 1 |
| 37 | 100057 | SCREW, cap, hex hd | 4 | 123 | 276980 | GROMMET, cover | 2 |
| 41 | 24U755 | VALVE, check, quick disc | 1 | 124 | 119250 | SCREW, shoulder, hex, washer | 3 |
| 41a | 16N461 | HOUSING, seat, check valve | 1 | 125 | 15G845 | SPACER, standoff | 2 |
| 41b | 16X837 | HOUSING, ball, check valve | 1 | 126 | 15V577 | FAN, motor | 1 |
| 41c | 24M725 | KIT, repair, check valve; <i>includes 41d, 41e, 41f</i> | 1 | 127 | 122347 | SCREW, mach, torx, pan, hd | 1 |
| 41d | | O-RING | 2 | 128▲ | 222385 | TAG, WARNING (not shown) | 1 |
| 41e | | SEAT | 1 | 129 | 278499 | HOSE, cpld, 1/2 in. x 50 ft | 1 |
| 41f | | BALL | 1 | 154 | 245820 | GUN, spray, texture | 1 |
| 43 | 119677 | SPRING, retaining | 1 | 159 | 278075 | BAFFLE | 1 |
| 44 | 19B144 | PIN, pump | 1 | 160 | 15Y118 | LABEL, Made in USA | 1 |
| 48 | 189920 | STRAINER, (1-11 1/2 NPSM) | 1 | 163 | 191239 | HOSE, cpld, 3/8 in. x 12 ft | 1 |
| 51 | 24V025 | COVER, drive, plastic, painted; <i>includes 31</i> | 1 | 164 | 159239 | ADAPTER | 2 |
| 55 | 16C457 | HANGER, pail | 1 | 166 | 246215 | GUARD, RAC X | 1 |
| 56 | 193394 | NUT, retaining | 1 | 174 | 115523 | GAUGE, pressure | 1 |
| 58 | 287282 | SHIELD, motor, painted; <i>includes 123, 124</i> | 1 | 175 | 127518 | FITTING, tee swivel | 1 |
| 62 | 24Y428 | FRAME, cart | 1 | 176 | 183285 | FITTING | 1 |
| 71 | 16X362 | LABEL, Mark X | 1 | | | | |
| 72 | 16X363 | LABEL, Mark X | 1 | | | | |
| 77 | 278204 | CLIP, drain line | 1 | | | | |
| 83 | 24V028 | HOUSING, bearing; <i>includes 12, 14, 24, 31, 55, 77, 108, 117</i> | 1 | | | | |

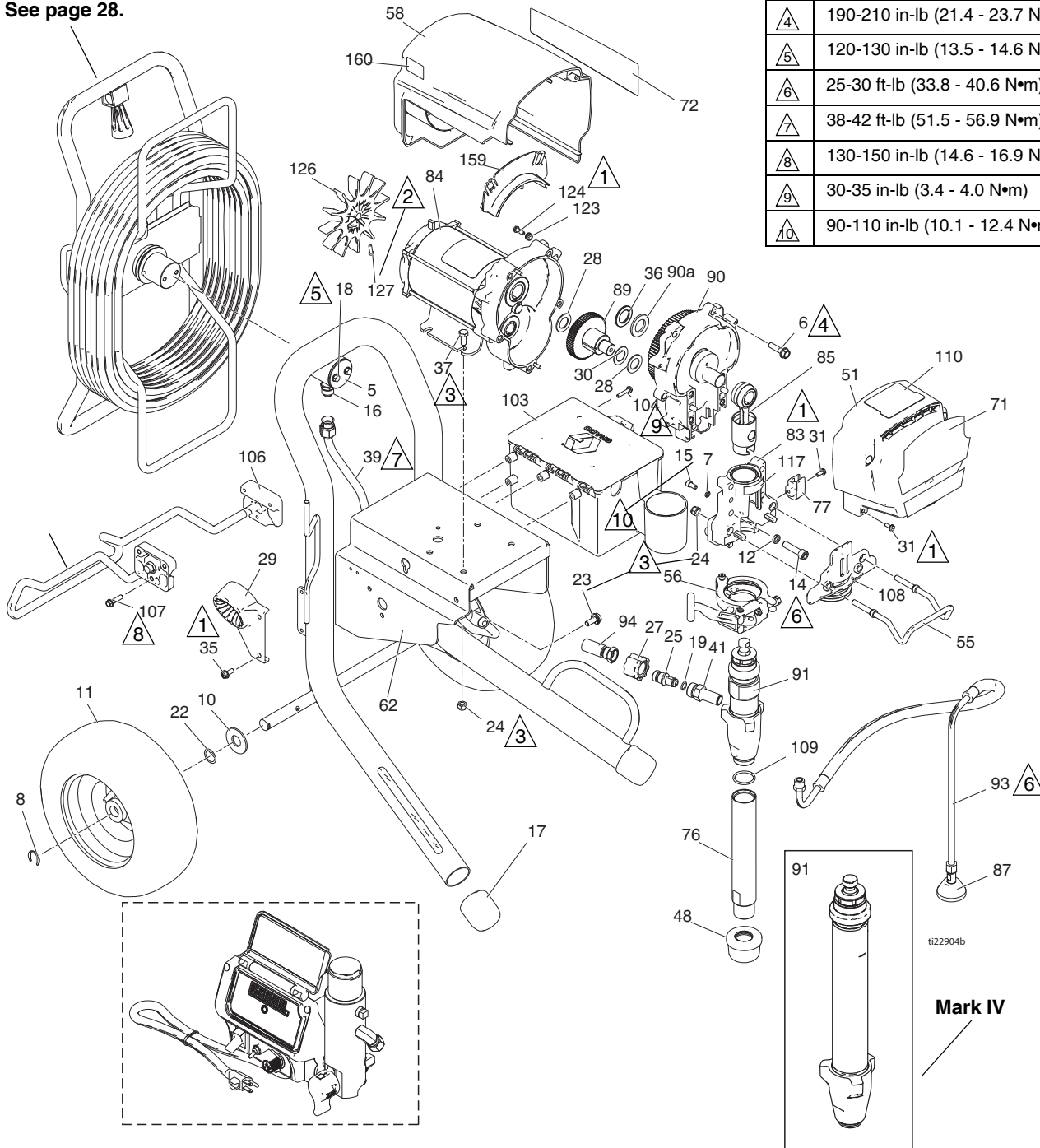
▲ Extra Danger and Warning tags and labels available free.

* 253131 KIT, repair, tube

695/795/MARK IV ProContractor

| Ref. | Torque |
|------|---------------------------------|
| △1 | 40-45 in-lb (4.5 - 5.0 N•m) |
| △2 | 9-11 in-lb (1.0 - 1.2 N•m) |
| △3 | 200-230 in-lb (22.6 - 25.9 N•m) |
| △4 | 190-210 in-lb (21.4 - 23.7 N•m) |
| △5 | 120-130 in-lb (13.5 - 14.6 N•m) |
| △6 | 25-30 ft-lb (33.8 - 40.6 N•m) |
| △7 | 38-42 ft-lb (51.5 - 56.9 N•m) |
| △8 | 130-150 in-lb (14.6 - 16.9 N•m) |
| △9 | 30-35 in-lb (3.4 - 4.0 N•m) |
| △10 | 90-110 in-lb (10.1 - 12.4 N•m) |

See page 28.



See pages 22 - 27.

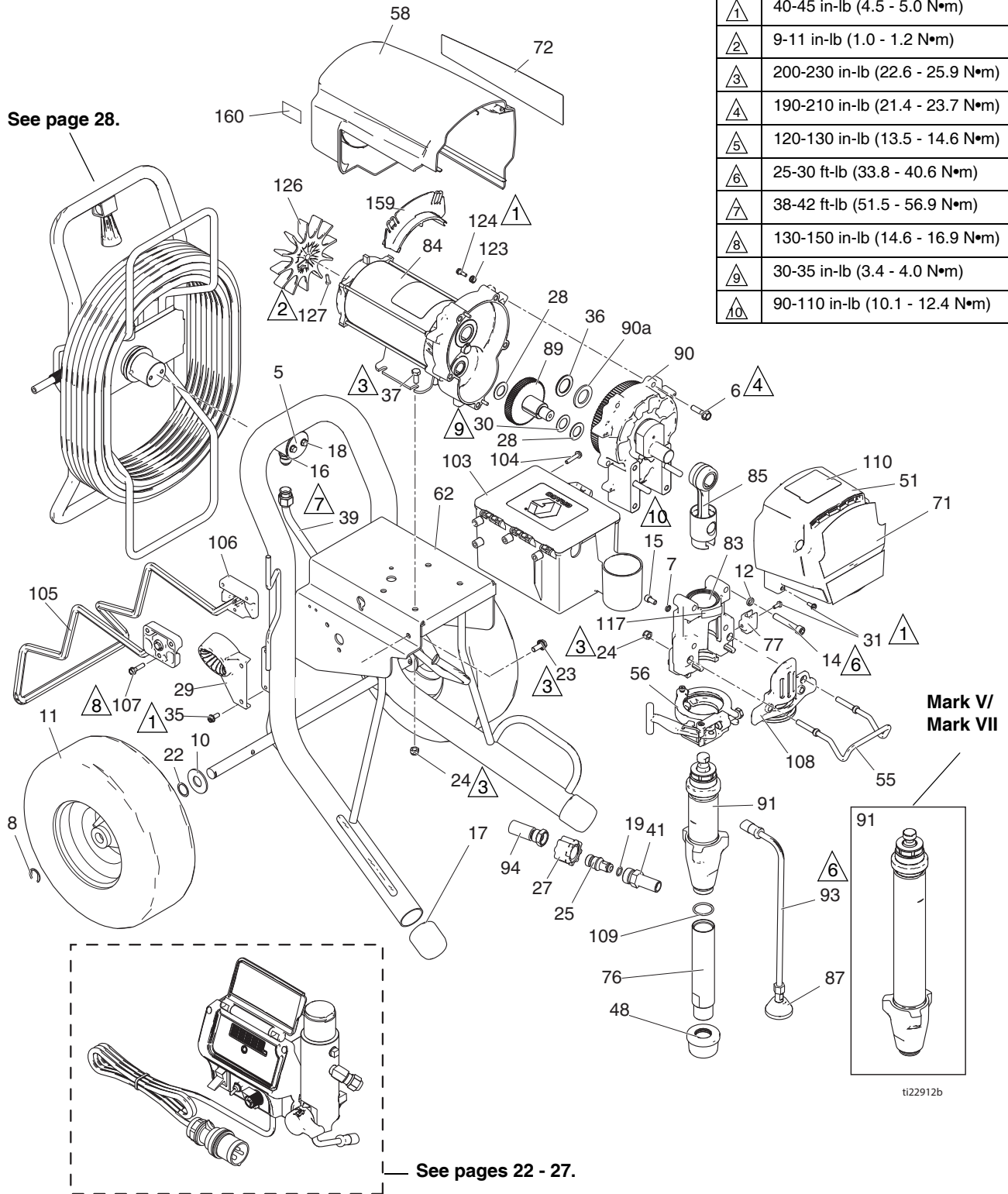
695/795/MARK IV ProContractor Parts List

| Ref. | Part | Description | Qty. | Ref. | Part | Description | Qty. |
|------|--------|-----------------------------------|------|------|--------|---|------|
| 5 | 16C975 | PLATE, pivot | 1 | 83 | 24V087 | HOUSING, bearing; <i>includes 7, 12, 14, 15, 24, 31, 55, 56, 77, 108, 117</i> | 1 |
| 6 | 15C753 | SCREW, mach, hex wash hd | 5 | 84 | | MOTOR, electric | 1 |
| 7 | 105510 | WASHER, lock, spring | 2 | | 257185 | 695/Mark IV | |
| 8 | 15E891 | CLIP, retaining | 2 | | 257186 | 795 | |
| 10 | 156306 | WASHER, flat | 2 | 85 | 24V084 | ROD, connecting | 1 |
| 11 | 119420 | WHEEL, pneumatic | 2 | 87 | 241920 | DEFLECTOR, threaded | 1 |
| 12 | 106115 | WASHER, lock (hi-collar) | 4 | 89 | 287289 | GEAR, combination; | 1 |
| 14 | 110141 | SCREW, cap, sch | 4 | | | <i>includes 28, 30</i> | |
| 15 | 101550 | SCREW, cap, sch | 2 | 90 | | HOUSING, drive, M1; | 1 |
| 16 | 121311 | FITTING, connector | 1 | | | <i>includes 6, 36, 90a</i> | |
| 17 | 276974 | CAP, leg | 2 | | 24V032 | 695/Mark IV | |
| 18 | 260212 | SCREW, hex washer hd | 2 | | 24V033 | 795 | |
| 19 | | PACKING, o-ring | 1 | 90a | 107089 | WASHER, race, thrust | 1 |
| | 107505 | 695/795 | | 91 | 16X414 | PUMP, displacement, 695/795; | 1 |
| | 102982 | Mark IV | | | | <i>includes 41, 109</i> | |
| 22 | 116038 | WASHER, wave spring | 2 | | 16X418 | PUMP, displacement, Mark IV | |
| 23 | 117791 | SCREW, cap tri lobe | 2 | 93 | 244240 | HOSE, drain, ultra hi-boy; | 1 |
| 24 | 111040 | NUT, lock, nylon, thin pattern | 6 | | | <i>includes 87</i> | |
| 25 | 16X833 | FITTING, QD, 695/795 | 1 | 94 | | HOSE, coupled | 1 |
| 27 | 120583 | NUT, hand, 695/795 | 1 | | 16X904 | 695/795 | |
| 28 | 114672 | WASHER, thrust | 2 | | 24V029 | Mark IV; <i>includes 19</i> | |
| 29 | 278083 | GUIDE, hose, platinum | 1 | 103 | 287253 | TOOL BOX; <i>includes 104</i> | 1 |
| 30 | 114699 | WASHER, thrust | 1 | 104 | 118852 | SCREW, thd forming, hex | 3 |
| 31 | 118444 | SCREW, mach, slot hex wash hd | 5 | | | washer hd | |
| 35 | 117633 | SCREW, slot hex wash hd | 2 | 105 | 16X697 | HANGER, stand | 1 |
| 36 | 116191 | WASHER, thrust, 1095/795 | 1 | 106 | 15C982 | CAM, cart | 2 |
| 37 | 100057 | SCREW, cap, hex hd | 4 | 107 | 114531 | SCREW, mach, hex washer hd | 4 |
| 39 | 24V095 | TUBE, formed, ultra, platinum | 1 | 108 | 16X228 | SHIELD, pump rod | 1 |
| 41 | | FITTING | 1 | 109 | 118494 | PACKING, o-ring | 1 |
| | 16Y579 | 695/795 | | 110 | 16X981 | LABEL, ProContractor Series | 1 |
| | 16X834 | Mark IV | | 117 | 187437 | LABEL, torque | 1 |
| 48 | 189920 | STRAINER, (1-11 1/2 npsm) | 1 | 123 | 276980 | GROMMET, cover | 2 |
| 51 | 24V023 | COVER, drive, plastic, painted; | 1 | 124 | 119250 | SCREW, shoulder | 2 |
| | | <i>includes 31</i> | | 126 | 15D088 | FAN, motor | 1 |
| 55 | 16C457 | HANGER, pail | 1 | 127 | 115477 | SCREW, mach, torx pan hd | 1 |
| 56 | 16X322 | CLAMP, pump | 1 | 128▲ | 222385 | TAG, warning (not shown) | 1 |
| 58 | | SHIELD, motor, painted; | 1 | 159 | 278075 | BRACKET, wire | 1 |
| | | <i>includes 123, 124</i> | | 160 | 15Y118 | LABEL, Made in the USA | 1 |
| | 287281 | 695/Mark IV | | | | | |
| | 287282 | 795 | | | | | |
| 62 | 24Y427 | FRAME, platinum, 695/795 | 1 | | | | |
| 71 | | LABEL, brand, front | 1 | | | | |
| | 16X364 | 695 | | | | | |
| | 16X367 | 795 | | | | | |
| | 16X357 | Mark IV | | | | | |
| 72 | | LABEL, brand, side | 1 | | | | |
| | 16X365 | 695 | | | | | |
| | 16X366 | 795 | | | | | |
| | 16X354 | Mark IV | | | | | |
| 76 | 248214 | TUBE, intake; <i>includes 109</i> | 1 | | | | |
| 77 | 16X203 | CLIP, drain line | 1 | | | | |

▲ Extra Danger and Warning tags and labels available free.

1095/MARK V/Mark VII ProContractor

| Ref. | Torque |
|------|---------------------------------|
| ① | 40-45 in-lb (4.5 - 5.0 N•m) |
| ② | 9-11 in-lb (1.0 - 1.2 N•m) |
| ③ | 200-230 in-lb (22.6 - 25.9 N•m) |
| ④ | 190-210 in-lb (21.4 - 23.7 N•m) |
| ⑤ | 120-130 in-lb (13.5 - 14.6 N•m) |
| ⑥ | 25-30 ft-lb (33.8 - 40.6 N•m) |
| ⑦ | 38-42 ft-lb (51.5 - 56.9 N•m) |
| ⑧ | 130-150 in-lb (14.6 - 16.9 N•m) |
| ⑨ | 30-35 in-lb (3.4 - 4.0 N•m) |
| ⑩ | 90-110 in-lb (10.1 - 12.4 N•m) |



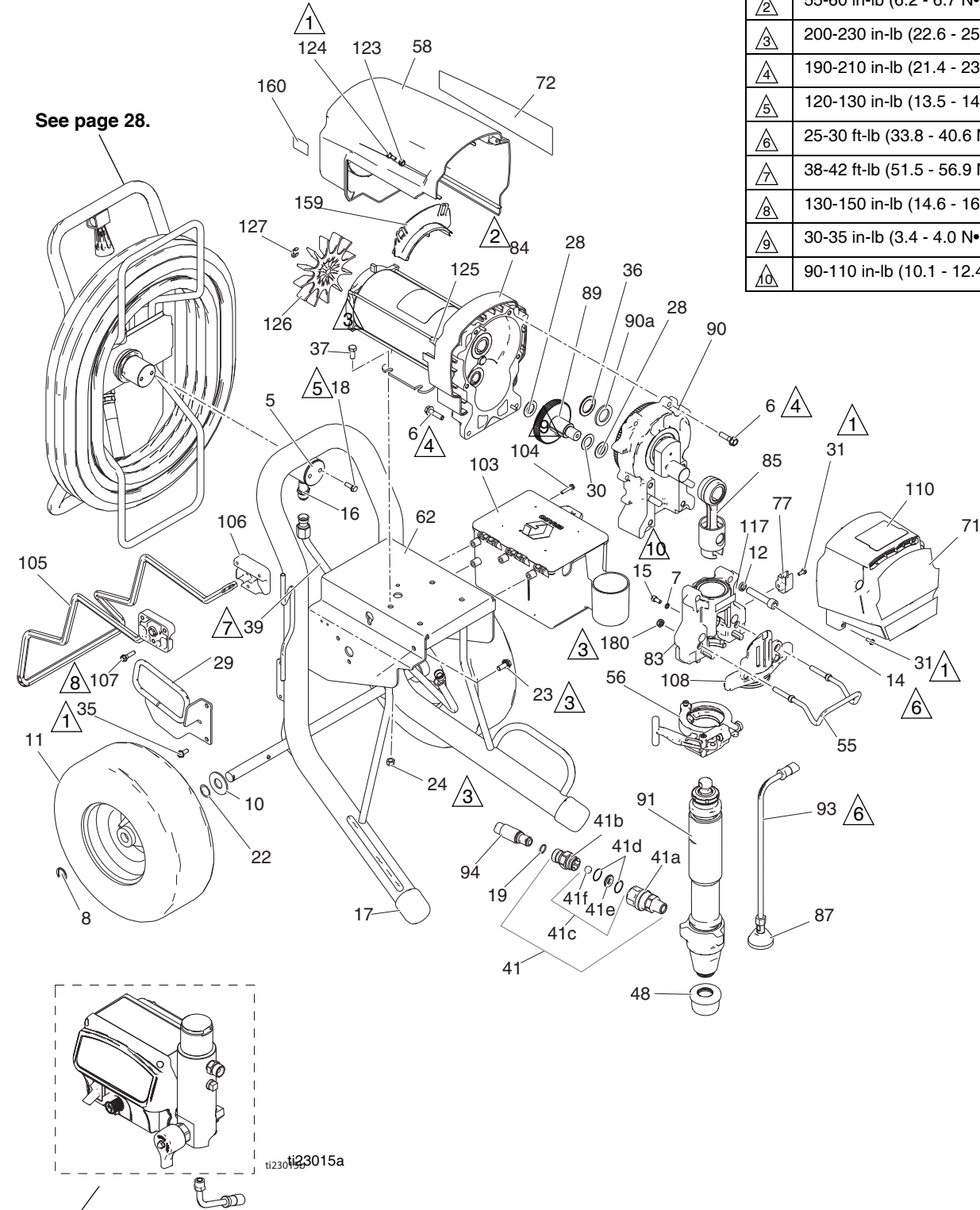
1095/MARK V/Mark VII ProContractor Parts List

| Ref. | Part | Description | Qty. | Ref. | Part | Description | Qty. |
|------|--------|--|------|------|--------|---|------|
| 5 | 16C975 | PLATE, pivot | 1 | 77 | 16X203 | CLIP, drain line | 1 |
| 6 | 15C753 | SCREW, mach, hex wash hd | 5 | 83 | 24V088 | HOUSING, bearing; <i>includes 7, 12, 14, 15, 24, 31, 55, 56, 77, 108, 117</i> | 1 |
| 7 | 105510 | WASHER, lock | 2 | | | | |
| 8 | 15E891 | CLIP, retaining | 2 | 84 | | MOTOR, electric; <i>includes 126, 127</i> | 1 |
| 10 | 156306 | WASHER, flat | 2 | | 257187 | 1095/Mark V | |
| 11 | 119509 | WHEEL, pneumatic | 2 | | 257188 | Mark VII/UK Mark V | |
| 12 | 106115 | WASHER, lock (hi-collar) | 4 | 85 | 24V085 | ROD, connecting | 1 |
| 14 | 114666 | SCREW, cap, socket head | 4 | 87 | 241920 | DEFLECTOR, threaded | 1 |
| 15 | 101550 | SCREW, cap, sch | 2 | 89 | 287290 | GEAR, combination; <i>includes 28, 30</i> | 1 |
| 16 | 121311 | FITTING, connector | 1 | | | | |
| 17 | 276974 | CAP, leg | 2 | 90 | | HOUSING, drive, M1; <i>includes 6, 36, 90a</i> | 1 |
| 18 | 260212 | SCREW, hex washer hd | 2 | | | | |
| 19 | | PACKING, o-ring | 1 | | 24M417 | Mark VII | |
| | 107505 | 1095 | | | 287295 | 1095/Mark V | |
| | 102982 | Mark V/Mark VII | | | 287294 | Mark V, Japanese Model | |
| 22 | 116038 | WASHER, wave spring | 2 | 90a | 194173 | WASHER, race, thrust | 1 |
| 23 | 117791 | SCREW, cap tri lobe | 2 | 91 | | PUMP, displacement; <i>includes 41, 76, 109</i> | 1 |
| 24 | 111040 | NUT, lock, insert | 6 | | | | |
| 25 | 16X833 | FITTING, quick disconnect, (1095 only) | 1 | | 16X419 | 1095 Models | |
| | | | | | 16Y602 | Mark VII Models | |
| 27 | 120583 | NUT, hand (1095 only) | 1 | | 16X421 | Mark V Models | |
| 28 | 114672 | WASHER, thrust | 2 | 93 | 244240 | HOSE, drain; <i>includes 87</i> | 1 |
| 29 | | BRACKET, hose, wrap | 1 | 94 | | HOSE, coupled | 1 |
| | 278083 | 1095/Mark V | | | 16X904 | 1095 | |
| | 24M197 | Mark VII | | | 24V029 | Mark V/Mark VII; <i>includes 19</i> | |
| 30 | 114699 | WASHER, thrust | 1 | 103 | 287253 | TOOL BOX; <i>includes 104</i> | 1 |
| 31 | 118444 | SCREW, mach, slot hex wash hd | 5 | 104 | 118852 | SCREW, thd forming, hex washer hd | 3 |
| 35 | 117633 | SCREW, slot hex wash hd | 2 | 105 | 16X698 | HANGER, stand, cart | 1 |
| 36 | 116192 | WASHER, thrust, 1595 | 1 | 106 | 15C982 | CAM, cart | 2 |
| 37 | 100057 | SCREW, cap, hex hd | 4 | 107 | 114531 | SCREW, mach, hex washer hd | 4 |
| 39 | 24J081 | TUBE, formed, ultra, platinum | 1 | 108 | 16X385 | PLATE, front, 5900 PCII | |
| 41 | | FITTING, pump, QD | 1 | 109 | 118494 | PACKING, o-ring | 1 |
| | 16Y579 | 1095 | | 110 | 16X981 | LABEL, premium | 1 |
| | 16X834 | Mark V/Mark VII | | 117 | 187437 | LABEL, torque | 1 |
| 48 | 189920 | STRAINER, (1-11 1/2 npsm) | 1 | 123 | 276980 | GROMMET, cover | 2 |
| 51 | 24V024 | COVER, drive, plastic, painted; <i>includes 31</i> | 1 | 124 | 119250 | SCREW, shoulder | 3 |
| | | | | 126 | 15D088 | FAN, motor | 1 |
| 55 | 16C457 | HANGER, pail | 1 | 127 | 115477 | SCREW, mach, torx pan hd | 1 |
| 56 | 16X324 | CLAMP, pump, large | 1 | 128▲ | 222385 | TAG, warning (not shown) | |
| 58 | 287282 | SHIELD, motor, painted; <i>includes 123, 124</i> | 1 | 159 | 278075 | BRACKET, wire | 1 |
| | | | | 160 | 15Y118 | LABEL, Made in the USA | 1 |
| 62 | 24Y426 | FRAME, platinum, 1095/MARK V | 1 | | | | |
| 71 | | LABEL, brand, front | 1 | | | | |
| | 16X368 | 1095 | | | | | |
| | 16X360 | Mark V | | | | | |
| | 16Y960 | Mark VII | | | | | |
| 72 | | LABEL, brand, side | 1 | | | | |
| | 16X369 | 1095 | | | | | |
| | 16X361 | Mark V | | | | | |
| | 16Y961 | Mark VII | | | | | |
| 76 | 248215 | TUBE, intake; <i>includes 109</i> | 1 | | | | |

▲ Extra Danger and Warning tags and labels available free.

Mark X ProContractor

| Ref. | Torque |
|------|---------------------------------|
| 1 | 40-45 in-lb (4.5 - 5.0 N•m) |
| 2 | 55-60 in-lb (6.2 - 6.7 N•m) |
| 3 | 200-230 in-lb (22.6 - 25.9 N•m) |
| 4 | 190-210 in-lb (21.4 - 23.7 N•m) |
| 5 | 120-130 in-lb (13.5 - 14.6 N•m) |
| 6 | 25-30 ft-lb (33.8 - 40.6 N•m) |
| 7 | 38-42 ft-lb (51.5 - 56.9 N•m) |
| 8 | 130-150 in-lb (14.6 - 16.9 N•m) |
| 9 | 30-35 in-lb (3.4 - 4.0 N•m) |
| 10 | 90-110 in-lb (10.1 - 12.4 N•m) |



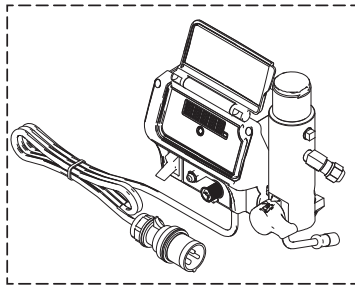
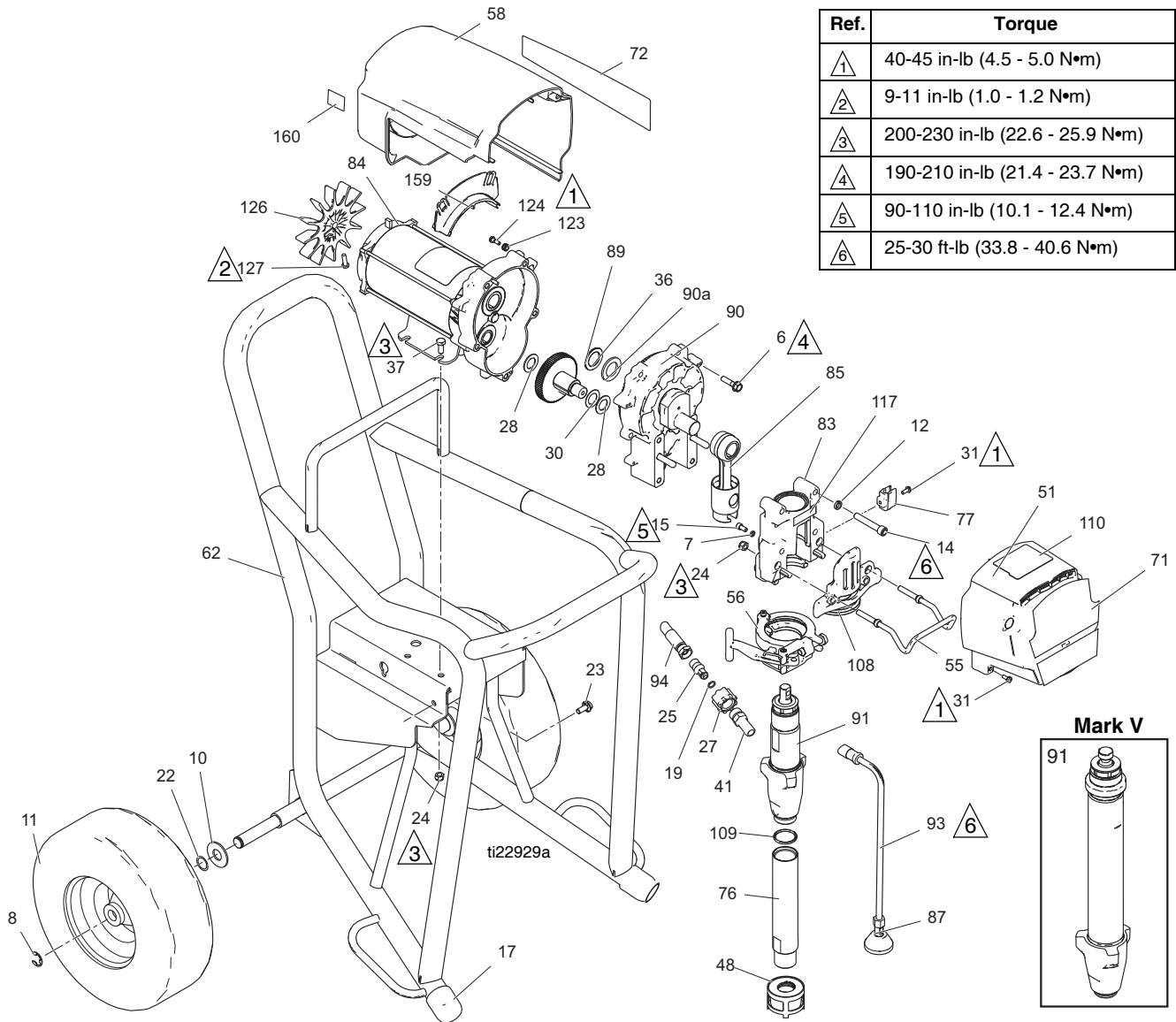
Mark X ProContractor

| Ref. | Part | Description | Qty. | Ref. | Part | Description | Qty. |
|------|--------|--|------|------|--------|---|------|
| 5 | 16C975 | PLATE, pivot | 1 | 71 | 16X362 | LABEL, front | 1 |
| 6 | 15C753 | SCREW, mach, hex wash hd | 6 | 72 | 16X363 | LABEL, right side | 1 |
| 7 | 105510 | WASHER, lock, spring | 2 | 77 | 16X203 | CLIP, drain line | 1 |
| 8 | 15E891 | CLIP, retaining | 2 | 83 | 24V089 | HOUSING, bearing; <i>includes 7, 12, 14, 15, 31, 55, 56, 77, 108, 117, 180</i> | 1 |
| 10 | 156306 | WASHER, flat | 2 | | | | |
| 11 | 119509 | WHEEL, pneumatic | 2 | | | | |
| 12 | 112600 | WASHER, lock (hi-collar) | 4 | 84 | 258909 | MOTOR, electric; <i>includes 125, 126, 127</i> | 1 |
| 14 | 112599 | SCREW, cap, socket head | 4 | | | | |
| 15 | 101550 | SCREW, cap, sch | 2 | 85 | 24V086 | ROD, connecting | 1 |
| 16 | 121311 | FITTING, connector | 1 | 87 | 241920 | DEFLECTOR, threaded | 1 |
| 17 | 276974 | CAP, leg | 2 | 89 | 288035 | GEAR, combination; <i>includes 28, 30</i> | 1 |
| 18 | 260212 | SCREW, hex washer, hd | 2 | | | | |
| 19 | 102982 | O-RING | 1 | 90 | 287990 | HOUSING, drive; <i>includes 6, 36, 90a</i> | 1 |
| 22 | 116038 | WASHER, wave spring | 2 | | | | |
| 23 | 117791 | SCREW, cap, tri lobe | 2 | 90a | 194173 | WASHER, race, thrust | 1 |
| 24 | 111040 | NUT, lock, insert | 4 | 91 | 16X427 | PUMP, displacement | 1 |
| 28 | 114672 | WASHER, thrust | 2 | 93 | 244240 | HOSE, drain; <i>includes 87</i> | 1 |
| 29 | 24M197 | GUIDE, hose, ultra platinum | 1 | 94 | 24V029 | KIT, hose, cpld, 1/2 in.; <i>includes 19</i> | 1 |
| 30 | 114699 | WASHER, thrust | 1 | 103 | 287253 | TOOL BOX; <i>includes 104</i> | 1 |
| 31 | 118444 | SCREW, mach, slot hex wash hd | 5 | 104 | 118852 | SCREW, thd forming, hex washer hd | 3 |
| 35 | 117633 | SCREW, slot hex wash hd | 2 | 105 | 16X698 | HANGER, stand, cart | 1 |
| 36 | 116192 | WASHER, thrust, 1595 | 1 | 106 | 15C982 | CAM, cart | 2 |
| 37 | 100057 | SCREW, cap, hex hd | 4 | 107 | 114531 | SCREW, mach, hex washer hd | 4 |
| 39 | 16M441 | TUBE, formed, ultra, platinum | 1 | 108 | 16X209 | PLATE, front, PCII, 79W | 1 |
| 41 | 24U755 | FITTING | 1 | 110 | 16X981 | LABEL, ProContractor Series | 1 |
| 41a | 16N461 | HOUSING, seat, check valve | 1 | 117 | 187437 | LABEL, torque | 1 |
| 41b | 16X837 | HOUSING, ball, check valve | 1 | 123 | 276980 | GROMMET, cover | 2 |
| 41c | 24M725 | KIT, repair, check valve; <i>includes 41d, 41e, 41f</i> | 1 | 124 | 119250 | SCREW, shoulder | 3 |
| 41d | | O-RING | 1 | 125 | 15G845 | SPACER, standoff | 2 |
| 41e | | SEAT | 1 | 126 | 15V577 | FAN, motor | 1 |
| 41f | | BALL | 1 | 127 | 122347 | RING, retaining | 1 |
| 48 | 189920 | STRAINER, (1-11 1/2 npsm) | 1 | 128▲ | 222385 | TAG, warning (not shown) | |
| 51 | 24V025 | COVER, drive, plastic, painted; <i>includes 31</i> | 1 | 159 | 278075 | BRACKET, wire | 1 |
| 55 | 16C457 | PACKING, o-ring | 1 | 160 | 15Y118 | LABEL, Made in the USA | 1 |
| 56 | 16X324 | CLAMP, pump, large | 1 | 180 | 112746 | NUT, lock, thin pattern | 2 |
| 58 | 287282 | SHIELD, motor, painted; <i>includes 123, 124</i> | 1 | | | | |
| 62 | 24Y426 | FRAME, platinum, 1095/MARK V | 1 | | | | |

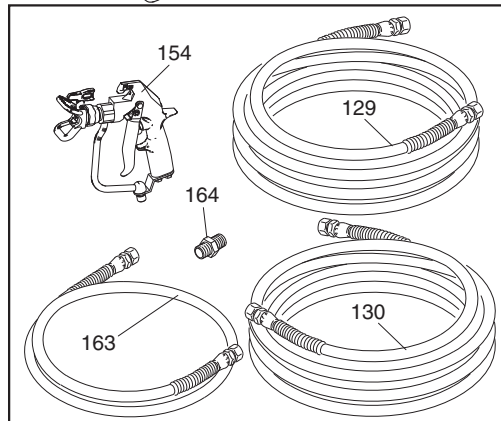
▲ Extra Danger and Warning tags and labels available free.

1095/Mark V IronMan

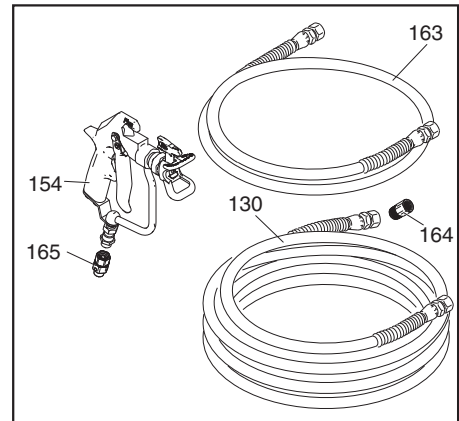
| Ref. | Torque |
|------|---------------------------------|
| 1 | 40-45 in-lb (4.5 - 5.0 N•m) |
| 2 | 9-11 in-lb (1.0 - 1.2 N•m) |
| 3 | 200-230 in-lb (22.6 - 25.9 N•m) |
| 4 | 190-210 in-lb (21.4 - 23.7 N•m) |
| 5 | 90-110 in-lb (10.1 - 12.4 N•m) |
| 6 | 25-30 ft-lb (33.8 - 40.6 N•m) |



See pages 22 - 27.



1095



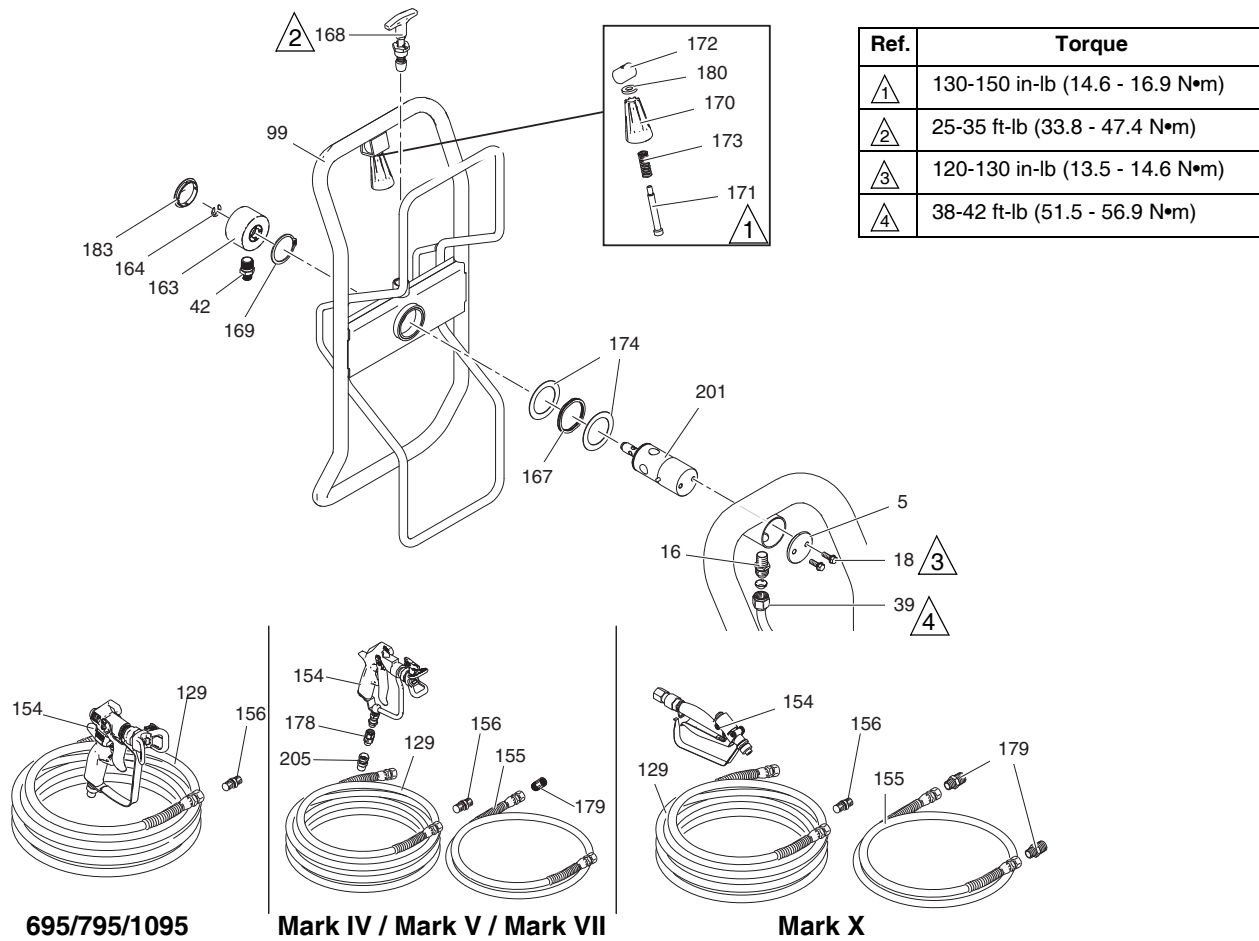
Mark V

1095/Mark V IronMan

| Ref. | Part | Description | Qty. | Ref. | Part | Description | Qty. |
|------|--------|---|------|------|--------|---|------|
| 6 | 15C753 | SCREW, mach, torx, hex | 5 | 89 | 287290 | GEAR, combination; <i>includes 28, 30</i> | 1 |
| 7 | 105510 | WASHER, lock, spring | 2 | 90 | 287295 | HOUSING, drive, M1; <i>includes 6, 36, 90a</i> | 1 |
| 8 | 120211 | CLIP, retaining | 2 | 90a | 194173 | WASHER, race, thrust | 1 |
| 10 | 156306 | WASHER, flat | 2 | 91 | | PUMP, displacement | 1 |
| 11 | 122267 | WHEEL, foam | 2 | | 16X420 | 1095; <i>includes 41, 109</i> | |
| 12 | 106115 | WASH, lock, spring | 4 | | 16Y599 | Mark V | |
| 14 | 114666 | SCREW, cap, socket hd | 4 | 93 | 244240 | HOSE, drain; <i>includes 87</i> | 1 |
| 15 | 101550 | SCREW, cap, sch | 2 | 94 | | HOSE, coupled | 1 |
| 17 | 15C871 | CAP, leg | 2 | | 16X904 | 1095 | |
| 19 | | PACKING, o-ring | 1 | | 24V029 | Mark V; <i>includes 19</i> | |
| | 107505 | 1095 | | 108 | 16X385 | PLATE, front, 5900, PCII | |
| | 102982 | Mark V | | 109 | 118494 | PACKING, o-ring | 1 |
| 22 | 116038 | WASHER, wave spring | 2 | 110 | 16X982 | LABEL, IronMan series | 1 |
| 23 | 117791 | SCREW, cap, flng hd | 2 | 117 | 187437 | LABEL, torque | 1 |
| 24 | 111040 | NUT, lock, insert | 6 | 123 | 276980 | GROMMET, cover | 2 |
| 25 | 16X833 | FITTING, QD, 3/8 npsm, 1095 | 1 | 124 | 119250 | SCREW, shoulder, hex, washer | 3 |
| 27 | 120583 | NUT, hand, 1095 | 6 | 126 | 15D088 | FAN, motor | 1 |
| 28 | 114672 | WASHER, thrust | 2 | 127 | 115477 | SCREW, mach, torx, pan, hd | 1 |
| 30 | 114699 | WASHER, thrust | 1 | 128▲ | 222385 | TAG, WARNING (not shown) | 1 |
| 31 | 118444 | SCREW, machine, hex washer hd | 5 | 129 | 240794 | HOSE, cpld, 1/4 in. x 50 ft, 1095 | 1 |
| 36 | 116192 | WASHER, thrust | 1 | 130 | | HOSE, cpld, 3/8 in. x 50 ft | |
| 37 | 100057 | SCREW, cap, hex hd | 4 | | 240797 | 1095 | 1 |
| 41 | | FITTING, pump, QD | 1 | | 240797 | Mark V | 2 |
| | 16Y579 | 1095 | | 154 | | GUN | 1 |
| | 16X834 | Mark V | | | 246240 | 1095 | |
| 48 | 15V573 | STRAINER, (1-11 1/2 NPSM) | 1 | | 241705 | Mark V | |
| 51 | 24V024 | COVER, drive, plastic, painted; <i>includes 31</i> | 1 | 159 | 278075 | BRACKET, wire | |
| 55 | 16C457 | HANGER, pail | 1 | 160 | 15Y118 | LABEL, Made in USA | 1 |
| 56 | 16X324 | CLAMP, pump, large | 1 | 163 | | HOSE, whip | 1 |
| 58 | 287282 | SHIELD, motor, painted; <i>includes 123, 124</i> | 1 | | 277322 | 1095 | |
| 62 | 16X711 | FRAME, cart, 1095 | 1 | | 241735 | Mark V | |
| 71 | | LABEL, UltraMax | 1 | 164 | | FITTING | 1 |
| | 16X368 | 1095 | | | 164672 | 1095 | |
| | 16X360 | Mark V | | | 159841 | Mark V | |
| 72 | | LABEL, UltraMax II | 1 | 165 | 189018 | SWIVEL, assembly | 1 |
| | 16X369 | 1095 | | | | | |
| | 16X361 | Mark V | | | | | |
| 76 | 248215 | TUBE, intake; <i>includes 109</i> | 1 | | | | |
| 77 | 16X203 | CLIP, drain line | 1 | | | | |
| 83 | 24V088 | HOUSING, bearing; <i>includes 7, 12, 14, 15, 24, 31, 55, 56, 77, 108, 117</i> | 1 | | | | |
| 84 | 257187 | MOTOR, electric; <i>includes 126, 127</i> | 1 | | | | |
| 85 | 24V085 | ROD, connecting | 1 | | | | |
| 87 | 241920 | DEFLECTOR, threaded | 1 | | | | |

▲ Extra Danger and Warning tags and labels available free.

Hose Reel and Gun

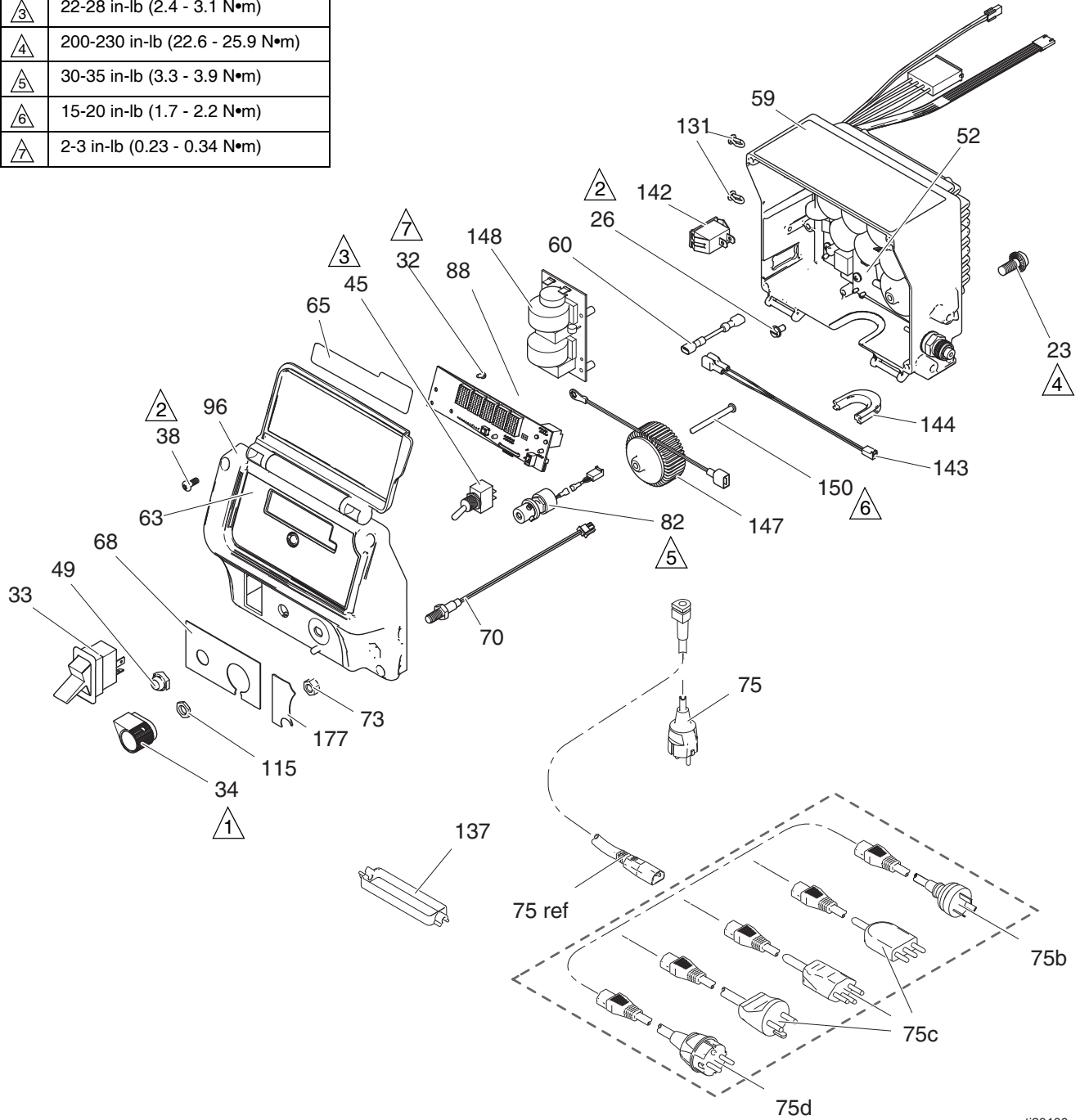


Parts List

| Ref. | Part | Description | Qty. | Ref. | Part | Description | Qty. |
|------|---------------|-------------------------------|------|--------|-------------------------|---------------------------|------|
| 5 | 16C975 | PLATE, Pivot Mount | 1 | 191239 | Mark VII/Mark X | | |
| 16 | 121311 | FITTING, Connector, NPT x JIC | 1 | 156 | ADAPTER | | 1 |
| 18 | 260212 | SCREW, Hex Washer HD | 2 | 162453 | 695/795/1095 | | |
| 39 | 24V095 | TUBE, Formed, Ultra, Platinum | 1 | 196178 | Mark IV/Mark V | | |
| | 24J081 | 695/795 Models | | 158491 | Mark VII/Mark X | | |
| | 16M441 | 1095/Mark V Models | | 163 | 24B248 | CAP, swivel, complete | 1 |
| 42 | ADAPTER | Mark X | 1 | 164 | 122347 | RING, retaining, external | 1 |
| | 164672 | 695/795/1095 | | 167 | 122534 | SPRING, wave | 1 |
| | 196178 | Mark IV/Mark V | | 168 | 24E400 | PIN, pop, lock out | 1 |
| | 159239 | Mark VII/Mark X | | 169 | 122524 | RING, retaining, external | 1 |
| 99 | 24B691 | REEL, hose, ultra | 1 | 170 | 278085 | HANDLE, swivel | 1 |
| 129 | HOSE, coupled | Mark IV/Mark V | 2 | 171 | 122518 | PIN | 1 |
| | 240794 | 695/795/1095 | 2 | 172 | 15X618 | NUT, pin | 1 |
| | 245225 | Mark IV/Mark V | 2 | 173 | 122542 | SPRING | 1 |
| | 278499 | Mark VII/Mark X | 2 | 174 | 122607 | WASHER, flat | 2 |
| 154 | GUN, spray | Mark VII/Mark X | 2 | 178 | 189018 | SWIVEL | 1 |
| | 288420 | 695/795/1095 | 1 | 179 | BUSHING | | |
| | 241705 | Mark V/Mark VII Models | 1 | 159841 | Mark IV/Mark V/Mark VII | | 1 |
| | 246468 | Mark IV Models | 1 | 159239 | Mark X | | 2 |
| | 245820 | Mark X | 1 | 180 | 122669 | WASHER | 1 |
| 155 | HOSE, whip | Mark X | 1 | 183 | 122787 | CAP | 1 |
| | 241735 | Mark IV, Mark V | 1 | 201 | 24E016 | TUBE, Hose Reel, Pivot | 1 |
| | | | | 205 | 110476 | ADAPTER, Mark VII | 1 |

Control Box

| Ref. | Torque |
|------|---------------------------------|
| △1 | 10-15 in-lb (1.1 - 1.7 N•m) |
| △2 | 40-45 in-lb (4.5 - 5.0 N•m) |
| △3 | 22-28 in-lb (2.4 - 3.1 N•m) |
| △4 | 200-230 in-lb (22.6 - 25.9 N•m) |
| △5 | 30-35 in-lb (3.3 - 3.9 N•m) |
| △6 | 15-20 in-lb (1.7 - 2.2 N•m) |
| △7 | 2-3 in-lb (0.23 - 0.34 N•m) |



ti23180a

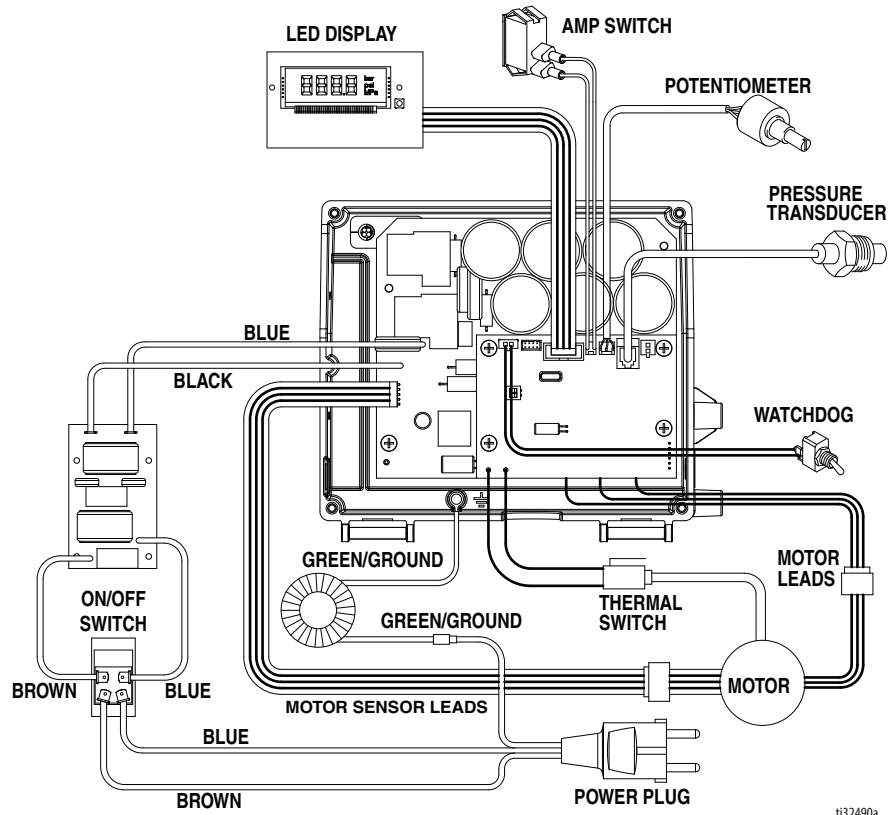
Parts List

| Ref. | Part | Description | Qty. | Ref. | Part | Description | Qty. |
|------|--------|--|------|--------|--------|---|------|
| 23 | 117791 | SCREW, cap, flange head | 2 | 75b | | China/Australia | 1 |
| 26 | 114391 | SCREW, grounding | 1 | 242005 | | 695/795/1095/Mark IV/Mark V | |
| 32 | 115522 | SCREW, mach, pnh (ProContractor/IronMan series) | 3 | 17A242 | | Mark X | |
| 33 | 15C979 | SWITCH, rocker, 120V | 1 | 75c | | Italy/Denmark/Switzerland | 1 |
| | 15D527 | SWITCH, rocker, 230V | 1 | 287121 | | 695/795/1095/Mark IV/Mark V | |
| 34 | 116167 | KNOB, potentiometer | 1 | 253103 | | Mark VII/Mark X Models | |
| 38 | 16V095 | SCREW, #10, taptite phil | 4 | 75d | 242001 | EU CEE 7/7 | 1 |
| 45 | 119541 | SWITCH, toggle, (ProContractor/IronMan series) | 1 | 75e | 244285 | Japan | 1 |
| 49 | 195428 | BOOT, toggle (ProContractor/IronMan series) | 1 | 82 | 256219 | POTENTIOMETR, assembly | 1 |
| 52 | | CONTROL, board; <i>includes 23, 26, 60, 131, 142, 144, box not sold separately</i> | 1 | 88 | 16Y496 | DISPLAY | 1 |
| | 24P847 | 120V Models | | 96 | | <i>COVER, control</i> | 1 |
| | 24P848 | 240V Models | | 24V061 | | ProContractor/IronMan series; <i>includes 32, 38, 63, 65, 68</i> | |
| 59▲ | | LABEL, warning | 1 | 24V062 | | Standard series; <i>includes 38, 63, 68</i> | |
| | 16G596 | Europe | | 115 | 15C973 | GASKET | 1 |
| | 16Y762 | Asia/ANZ | | 131 | | SCREW/PLUG | 2 |
| | 16Y761 | Japan | | 119228 | | Europe/Asia/Australia | |
| 60 | 16T541 | JUMPER WIRE (Japanese models) | 1 | 16T482 | | Japan | |
| 63 | 16X796 | LABEL, LCD, GMAX (ProContractor/IronMan series) | 1 | 137 | 195551 | RETAINER, plug adapter 695/795/1095/Mark IV/Mark V | |
| | 16Y785 | LABEL, control box cover, ultra (Standard series) | 1 | 121249 | 121249 | Mark VII/Mark X Models | |
| 65 | 16X797 | LABEL, control box cover, ultra (ProContractor/IronMan series) | 1 | 142 | | SWITCH/PLUG | 1 |
| 68 | 16Y789 | LABEL, control (ProContractor/IronMan series) | 1 | 16T483 | | 695/795/1095/Mark IV/Mark V | |
| | 16Y786 | LABEL, control (Standard series) | 1 | 126029 | | Mark VII/Mark X Models (10/16 amp) | |
| 70 | 122507 | SWITCH, reed (ProContractor/IronMan series) | 1 | 120059 | | UK Mark V (15/20 amp) | |
| | 16Z019 | LIGHT, ProGuard (Standard series) | 1 | 143 | 15G935 | CONNECTOR, electrical | 1 |
| 73 | 100187 | NUT | 1 | 144 | | STRAIN RELIEF | 1 |
| 75 | | CORD, power | 1 | 16T546 | | 695/795/1095/Mark IV/Mark V | |
| | 17J160 | 695/795/1095, Japanese Models | | 16T547 | | 695/795/1095 Japanese Models | |
| | 15H065 | Mark V, Japanese Models | | 16T544 | | Mark VII/Mark X Models | |
| | 15D528 | EU CEE 7/7 | | 116171 | | Mark V, Japanese Models | |
| | 15D529 | EU Multi-cord | | 145 | 117745 | BUSHING, strain relief (Mark VII/Mark X Models) | 1 |
| | 15D530 | UK | | 147 | 24V030 | KIT, repair, coil; <i>includes 150</i> | 1 |
| | 16M834 | Mark VII EU CEE 7/7 | | 148 | | BOARD, filter | 1 |
| | 16M836 | Mark VII Multi-cord | | 24R598 | | 230V Models | |
| | 15G957 | Mark X EU CEE 7/7 | | 24R597 | | 120V Models | |
| | 15G938 | Mark X Multi-cord | | 24U823 | | Mark X | |
| | | | | 149 | 117625 | NUT, locking | 1 |
| | | | | 150 | 16U215 | SCREW, machine, flat head | 1 |
| | | | | 177 | 16Y791 | LABEL, blank, elec, std (Standard) | 1 |
| | | | | | 16Y790 | ProContractor/IronMan | 1 |
| | | | | | 16Y788 | Mark X ProContractor | 1 |

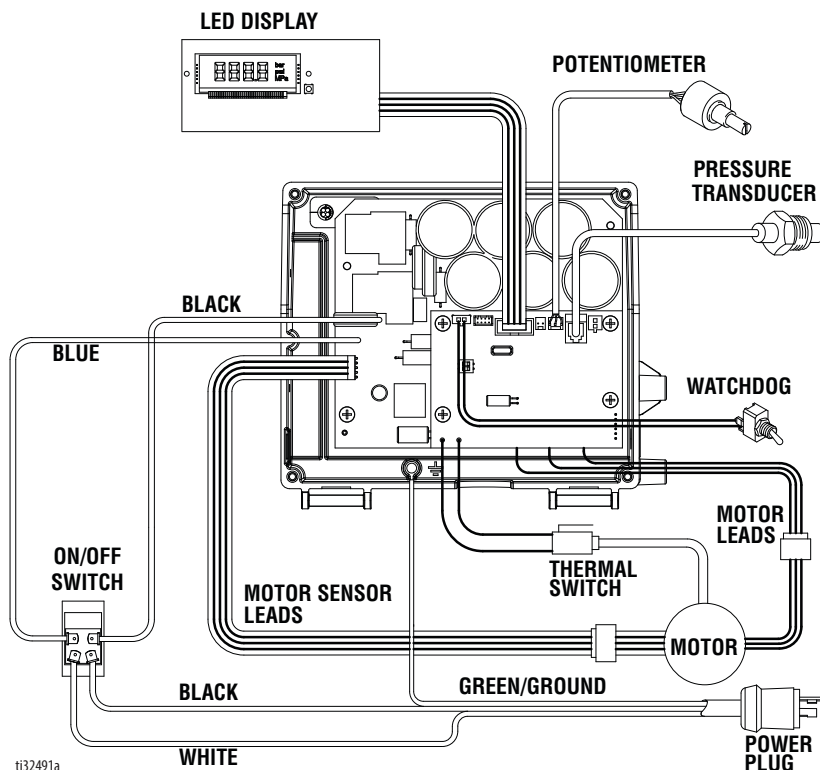
▲ Extra Danger and Warning tags and labels available free.

Wiring Diagram

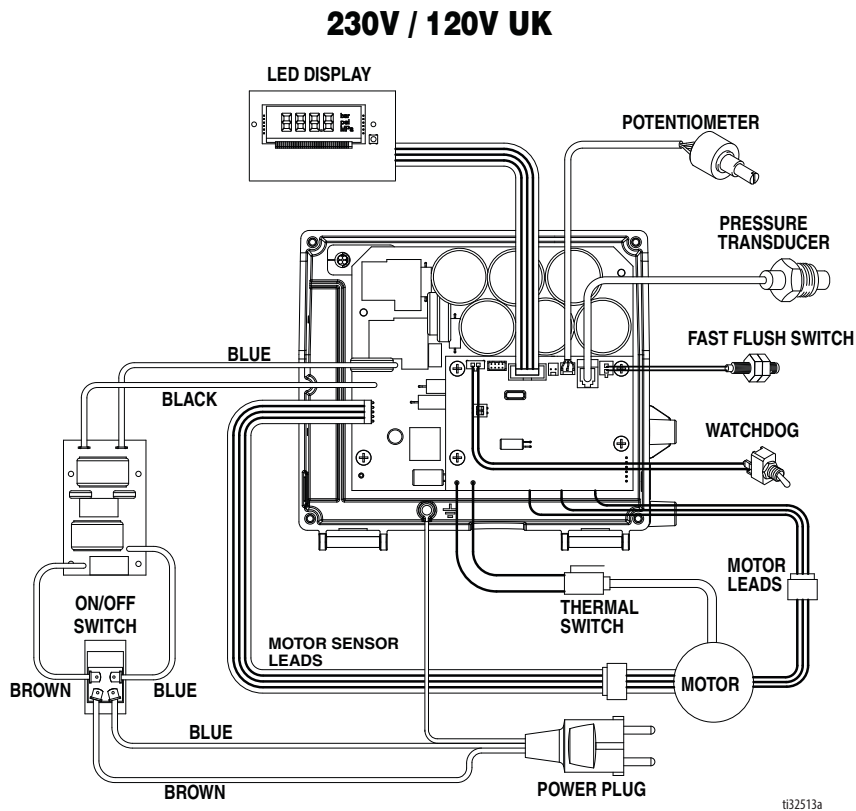
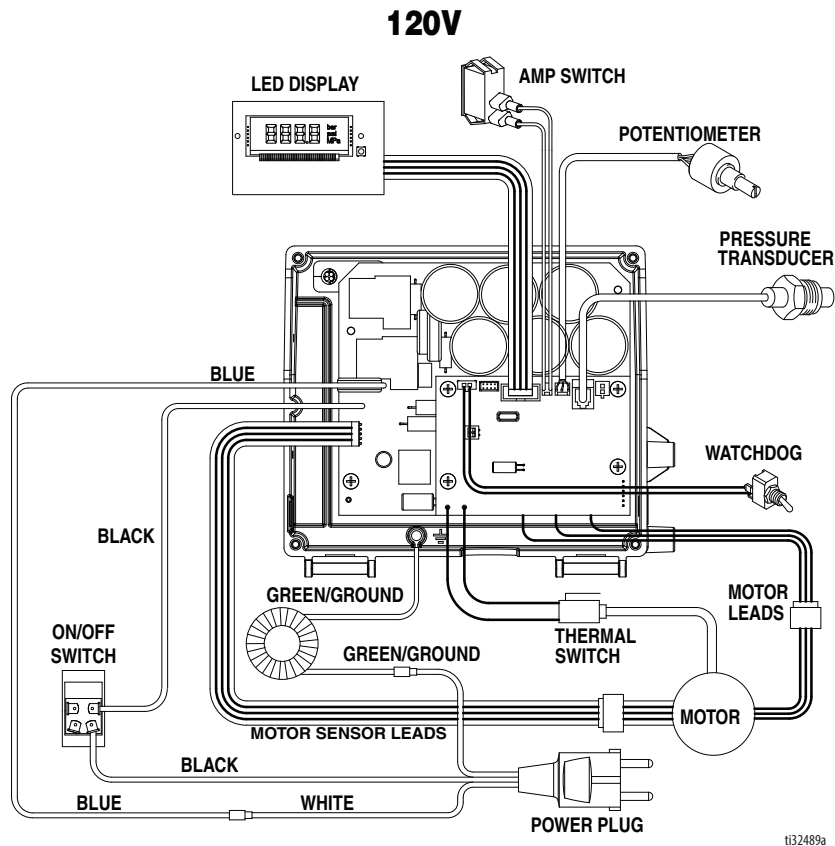
MARK X 230V



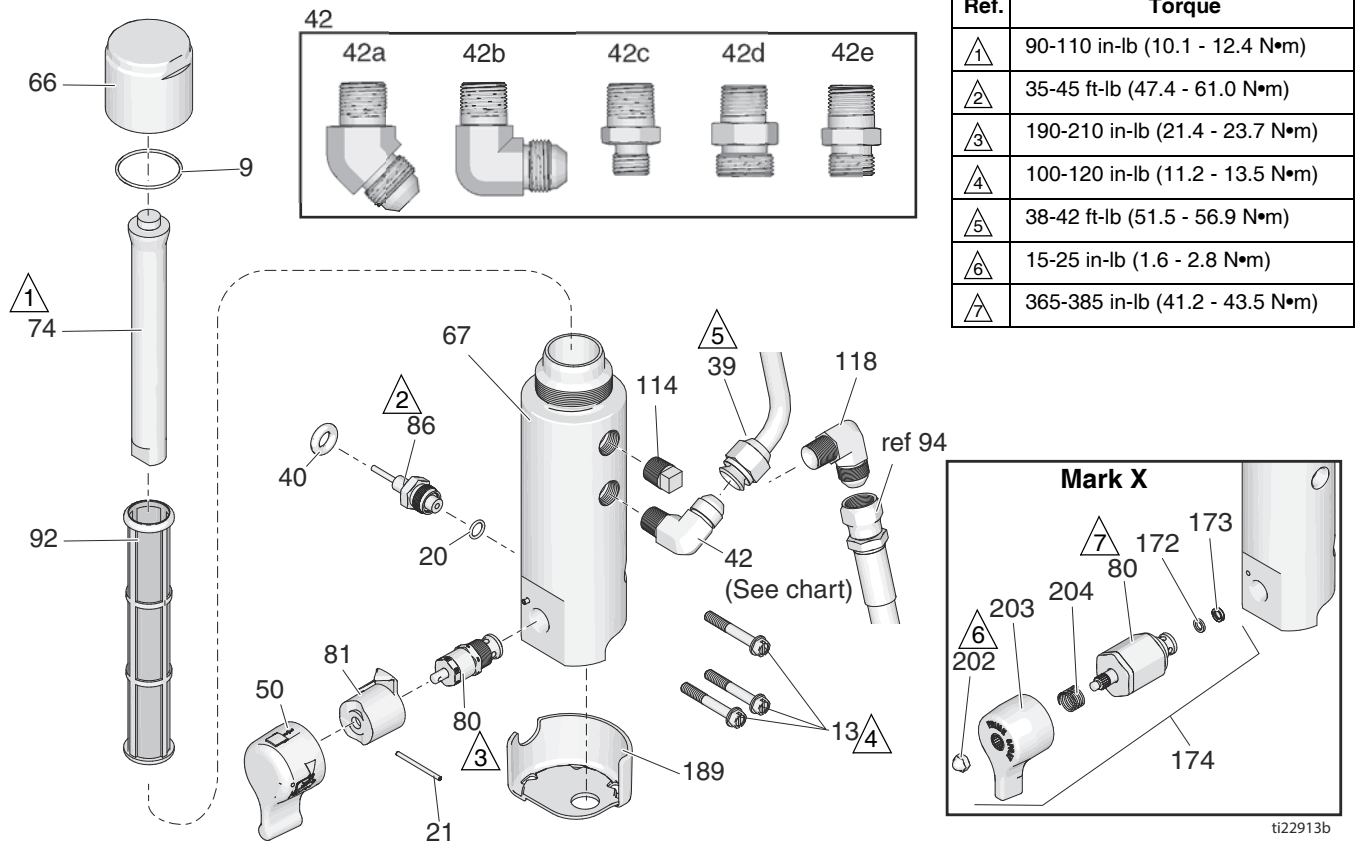
MARK X 120V



Wiring Diagram



Filter



Parts List

| Ref. | Part | Description | Qty. | Ref. | Part | Description | Qty. |
|------|--------|---|------|------|--------|---|------|
| 9 | 117285 | PACKING, o-ring | 1 | 74 | 15C766 | TUBE, diffusion | 1 |
| 13 | 16U013 | SCREW, cap, socket head | 3 | 80 | 24B156 | VALVE, prime, HD | 1 |
| 20 | 111457 | PACKING, o-ring | 1 | | 287879 | VALVE, prime, Mark X | 1 |
| 21 | 15C972 | PIN, grooved | 1 | 81 | | BASE, valve | 1 |
| 39 | | TUBE, formed, ultra platinum | 1 | | 24A382 | Standard series | |
| | 24V095 | 695/795 Models | | | 24D286 | ProContractor/IronMan | |
| | 24J081 | 1095/Mark V Models | | 86 | 243222 | TRANSDUCER, pressure control; | 1 |
| | 16M441 | Mark X | | | | <i>includes 20</i> | |
| 40 | 121889 | GROMMET, transducer | 1 | 92 | | FILTER, fluid | 1 |
| 42 | | FITTING | 1 | | 244071 | 30 mesh | |
| 42a | 122533 | 1095/Mark V/Mark VII (ProContractor series) | | | 244067 | 60 mesh, original equipment | |
| 42b | 125926 | 695/795/Mark IV/Mark X (ProContractor series) | | | 244068 | 100 mesh | |
| 42c | 164672 | 695/795/1095 (Standard series) | | 114 | 104813 | PLUG, pipe, 3/8 | 1 |
| 42d | 196178 | Mark IV/Mark V/Mark VII (Standard series) | | 118 | 125926 | FITTING, elbow | 1 |
| | | 1095/Mark V (IronMan series) | | 172 | 193709 | SEAT, valve | 1 |
| | | Mark X (Standard series) | | 173 | 193710 | SEAL, seat, valve | 1 |
| 50 | 183285 | KIT, handle; <i>includes 21, 81</i> | 1 | 174 | 245103 | KIT, repair, valve, Mark X; <i>includes 80, 172, 173, 202, 203, 204</i> | 1 |
| | 24E233 | ProContractor/IronMan Series | | 189 | 17A197 | GUARD, base, filter (ProContractor/IronMan Series) | 1 |
| | 24E234 | Standard Series | | 202 | 116424 | NUT, Mark X | 1 |
| 66 | 15C765 | CAP, filter | 1 | 203 | 15G563 | HANDLE, valve, Mark X | 1 |
| 67 | 16T543 | BASE, filter | 1 | 204 | 114708 | SPRING, compression, Mark X | 1 |

Graco Standard Warranty

Graco warrants all equipment referenced in this document which is manufactured by Graco and bearing its name to be free from defects in material and workmanship on the date of sale to the original purchaser for use. With the exception of any special, extended, or limited warranty published by Graco, Graco will, for a period of twelve months from the date of sale, repair or replace any part of the equipment determined by Graco to be defective. This warranty applies only when the equipment is installed, operated and maintained in accordance with Graco's written recommendations.

This warranty does not cover, and Graco shall not be liable for general wear and tear, or any malfunction, damage or wear caused by faulty installation, misapplication, abrasion, corrosion, inadequate or improper maintenance, negligence, accident, tampering, or substitution of non-Graco component parts. Nor shall Graco be liable for malfunction, damage or wear caused by the incompatibility of Graco equipment with structures, accessories, equipment or materials not supplied by Graco, or the improper design, manufacture, installation, operation or maintenance of structures, accessories, equipment or materials not supplied by Graco.

This warranty is conditioned upon the prepaid return of the equipment claimed to be defective to an authorized Graco distributor for verification of the claimed defect. If the claimed defect is verified, Graco will repair or replace free of charge any defective parts. The equipment will be returned to the original purchaser transportation prepaid. If inspection of the equipment does not disclose any defect in material or workmanship, repairs will be made at a reasonable charge, which charges may include the costs of parts, labor, and transportation.

THIS WARRANTY IS EXCLUSIVE, AND IS IN LIEU OF ANY OTHER WARRANTIES, EXPRESS OR IMPLIED, INCLUDING BUT NOT LIMITED TO WARRANTY OF MERCHANTABILITY OR WARRANTY OF FITNESS FOR A PARTICULAR PURPOSE.

Graco's sole obligation and buyer's sole remedy for any breach of warranty shall be as set forth above. The buyer agrees that no other remedy (including, but not limited to, incidental or consequential damages for lost profits, lost sales, injury to person or property, or any other incidental or consequential loss) shall be available. Any action for breach of warranty must be brought within two (2) years of the date of sale.

GRACO MAKES NO WARRANTY, AND DISCLAIMS ALL IMPLIED WARRANTIES OF MERCHANTABILITY AND FITNESS FOR A PARTICULAR PURPOSE, IN CONNECTION WITH ACCESSORIES, EQUIPMENT, MATERIALS OR COMPONENTS SOLD BUT NOT MANUFACTURED BY GRACO. These items sold, but not manufactured by Graco (such as electric motors, switches, hose, etc.), are subject to the warranty, if any, of their manufacturer. Graco will provide purchaser with reasonable assistance in making any claim for breach of these warranties.

In no event will Graco be liable for indirect, incidental, special or consequential damages resulting from Graco supplying equipment hereunder, or the furnishing, performance, or use of any products or other goods sold hereto, whether due to a breach of contract, breach of warranty, the negligence of Graco, or otherwise.

FOR GRACO CANADA CUSTOMERS

The Parties acknowledge that they have required that the present document, as well as all documents, notices and legal proceedings entered into, given or instituted pursuant hereto or relating directly or indirectly hereto, be drawn up in English. Les parties reconnaissent avoir convenu que la rédaction du présente document sera en Anglais, ainsi que tous documents, avis et procédures judiciaires exécutés, donnés ou intentés, à la suite de ou en rapport, directement ou indirectement, avec les procédures concernées.

Graco Information

For the latest information about Graco products, visit www.graco.com.

For patent information, see www.graco.com/patents.

TO PLACE AN ORDER, contact your Graco distributor or call 1-800-690-2894 to identify the nearest distributor.

All written and visual data contained in this document reflects the latest product information available at the time of publication. Graco reserves the right to make changes at any time without notice.

Original instructions. This manual contains English. MM 333281

Graco Headquarters: Minneapolis

International Offices: Belgium, China, Japan, Korea

GRACO INC. AND SUBSIDIARIES • P.O. BOX 1441 • MINNEAPOLIS MN 55440-1441 • USA

Copyright 2014, Graco Inc. All Graco manufacturing locations are registered to ISO 9001.

www.graco.com

Revision F, December 2019