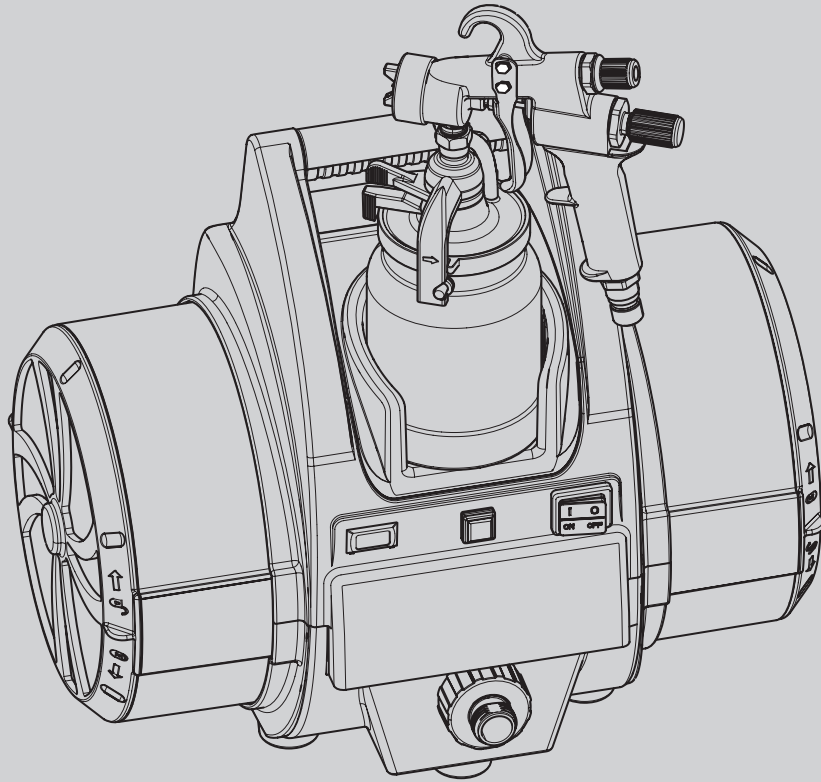
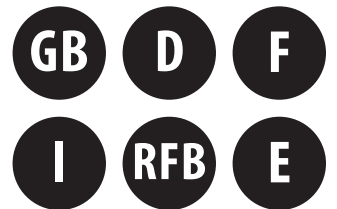


**WAGNER**



# **FINECOAT 9900 PLUS HVLP SPRAY SYSTEM**



OWNER'S MANUAL • BETRIEBSANLEITUNG • MODE D'EMPLOI •  
ISTRUZIONI PER L'USO • MANUAL DE OPERAÇÕES • INSTRUCCIONES DE USO

<b>GB</b>	<b>2</b>
<b>D</b>	<b>16</b>
<b>F</b>	<b>30</b>
<b>I</b>	<b>44</b>
<b>RFB</b>	<b>58</b>
<b>E</b>	<b>72</b>

<b>1 SAFETY REGULATIONS</b>	<b>3</b>
1.1 Explanation of symbols used	3
1.2 Safety hazards	3
1.3 Electrical safety	4
<b>2 INTRODUCTION</b>	<b>5</b>
2.1 Technical data	5
<b>3 USING AN HVLP SPRAYER</b>	<b>6</b>
3.1 Setup	6
3.2 Dual filtration system	6
3.3 Filter warning system	6
<b>4 STARTING OPERATION</b>	<b>7</b>
4.1 Setting the FC9900 Plus spray gun	7
<b>5 SPRAYING TECHNIQUE</b>	<b>9</b>
5.1 Breaks in work	9
<b>6 FINISHING WORK AND CLEANING THE UNIT</b>	<b>10</b>
<b>7 MAINTENANCE</b>	<b>11</b>
7.1 Cleaning/replacing the filters	11
7.2 Cleaning the air hoses	11
<b>8 CHOOSING A PROJECTOR SET</b>	<b>12</b>
8.1 Changing a projector set	12
<b>9 MATERIAL REDUCTION/PROJECTOR SET CHART</b>	<b>13</b>
<b>10 REMEDY IN CASE OF FAULTS</b>	<b>13</b>
10.1 Servicing	13
<b>11 SPECIAL ACCESSORIES</b>	<b>14</b>
<b>3 + 2 YEAR GUARANTEE ON THIS WAGNER CONTRACTOR PRODUCT</b>	<b>15</b>
<b>SPARE PARTS LISTS</b>	<b>86</b>
Spare parts list for main assembly	86
Spare parts list for turbine assembly	88
Spare parts list for upper housing assembly	90
Spare parts list for lower housing assembly	92
<b>WIRING DIAGRAM</b>	<b>94/95</b>
<b>CE DECLARATION OF CONFORMITY</b>	<b>96/97</b>
<b>SALES AND SERVICE COMPANIES</b>	<b>99/100</b>

# 1 SAFETY REGULATIONS

## 1.1 EXPLANATION OF SYMBOLS USED

This manual contains information that must be read and understood before using the equipment. When you come to an area that has one of the following symbols, pay particular attention and make certain to heed the safeguard.



→ This symbol indicates a potential hazard that may cause serious injury or loss of life. Important safety information will follow.



→ This symbol indicates a potential hazard to you or to the equipment. Important information that tells how to prevent damage to the equipment or how to avoid causes of minor injuries will follow.



→ Danger of skin burn injury



→ Danger of fire from solvent and paint fumes



→ Danger of explosion from solvent, paint fumes and incompatible materials



→ Danger of injury from inhalation of harmful vapors



→ Ear protection must be worn



→ Eye protection must be worn



→ Notes give important information which should be given special attention.

## 1.2 SAFETY HAZARDS



### HAZARD: EXPLOSION HAZARD DUE TO INCOMPATIBLE MATERIALS

Will cause severe injury or property damage.

#### PREVENTION:

- Do not use materials containing bleach or chlorine.
- Do not use halogenated hydrocarbon solvents such as methylene chloride and 1,1,1 - trichloroethane. They are not compatible with aluminum and may cause an explosion. If you are unsure of a material's compatibility with aluminum, contact your coating's supplier.



A list of the materials used in the construction of the equipment will be made available on request to validate compatibility with the coating materials to be used.



### HAZARD: GENERAL

This product can cause severe injury or property damage.

#### PREVENTION:

- Read all instructions and safety precautions before operating equipment.
- Follow all appropriate local, state, and national codes governing ventilation, fire prevention, and operation.
- Use only manufacturer authorized parts. User assumes all risks and liabilities when using parts that do not meet the minimum specifications and safety devices of the pump manufacturer.
- Before each use, check all hoses for cuts, leaks, abrasion or bulging of cover. Check for damage or movement of couplings. Immediately replace the hose if any of these conditions exist. Never repair a hose. Replace it with an identical replacement hose.
- NEVER aim the gun at any part of the body.
- Wear clothing to keep paint off skin and hair.
- Wear ear protection.
- Do not spray outdoors on windy days.
- Never leave this equipment unattended. Keep away from children or anyone not familiar with the operation of HVLP equipment.



### HAZARD: HAZARDOUS VAPORS

Paints, solvents, insecticides, and other materials can be harmful if inhaled or come in contact with body. Vapors can cause severe nausea, fainting, or poisoning.

#### PREVENTION:

- Use a respirator or mask if vapors can be inhaled. Read all instructions supplied with the mask to be sure it will provide the necessary protection.
- Wear protective eyewear.
- Wear protective clothing as required by coating manufacturer.



### HAZARD: SKIN BURN INJURY

Heated parts can cause severe skin burn injury.

#### PREVENTION:

- Quick disconnect fittings on the hose and spray gun become hot during use. Avoid skin contact with quick disconnect fittings when they are hot. Allow quick disconnect fittings to cool before disconnecting the spray gun from the hose.



### HAZARD: EXPLOSION OR FIRE

Solvent and paint fumes can explode or ignite. Severe injury and/or property damage can occur.



#### PREVENTION:

- Provide extensive exhaust and fresh air introduction to keep the air within the spray area free from accumulation of flammable vapors.
- Avoid all ignition sources such as static electricity sparks, electrical appliances, flames, pilot lights, hot objects, and sparks from connecting and disconnecting power cords or working light switches.
- Plastic can cause static sparks. Never hang plastic to enclose spray area. Do not use plastic drop cloths when spraying flammable materials.
- Do not smoke in spray area.
- Fire extinguisher must be present and in good working order.

- Power cord must be connected to a grounded circuit (electric units only).
- Follow material and solvent manufacturer's warnings and instructions. Be familiar with the coating material's MSDS sheet and technical information to ensure safe use.
- Use extreme caution when using materials with a flashpoint below 70° F (21° C). Flashpoint is the temperature that a fluid can produce enough vapors to ignite.
- The object to be coated must be earthed.
- Before working on the device, remove the power plug from the socket.

## 1.3 ELECTRIC SAFETY

Electric models must be grounded/earthed. In the event of an electrical short circuit, grounding/earthing reduces the risk of electric shock by providing an escape wire for the electric current. This product is equipped with a cord having an grounding/earthing wire with an appropriate grounding/earthing plug. Connection to the power cord only through a special feed point, e.g. through an error protection installation with INF < 30 mA.



**DANGER** — Work or repairs at the electrical equipment may only be carried out by a skilled electrician. No liability is assumed for incorrect installation. Switch the unit off. Before all repair work, unplug the power plug from the outlet.



Danger of short-circuits caused by water ingressing into the electrical equipment. Never spray down the unit with high-pressure or high-pressure steam cleaners.

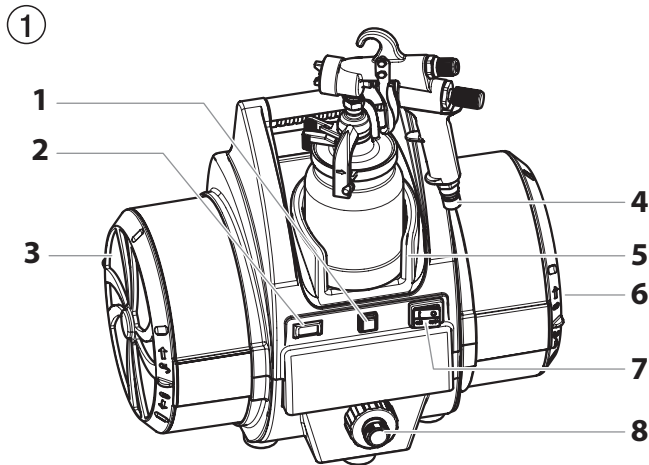


Caution – The power cord for this equipment acts as an supply circuit connector. The power cord must be placed near an easily accessible, unobstructed socket-outlet.

## 2 INTRODUCTION

This High Volume/Low Pressure (HVLP) spray system is designed for applying coatings to surfaces that can be sprayed faster than brushing or rolling and are too small for traditional airless sprayers. Components of this system include a power switch, a power cord, a filter warning light, a circuit breaker switch, a dual filtration system, a cup holder, an air hose, and an air outlet.

The turbine is also equipped with a tool box. It is located on the reverse side of the turbine and can be used to store projector sets or any other small spare parts.



1. Circuit breaker switch
  2. Filter warning light
  3. Filter
  4. Air inlet
  5. Cup holder
  6. Filter (in the end of can)
  7. Power switch
  8. Air outlet
- \* Air hose not pictured.

With this HVLP spray system, you can achieve the highest quality professional finish possible with little or no preparation or setup time. Please review all the information contained in this manual before operating the system.



### 2.1 TECHNICAL DATA

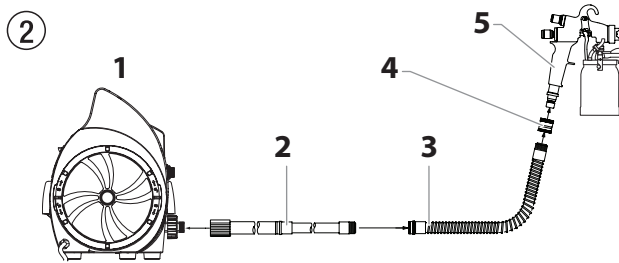
Voltage	100-110V~, 50/60 Hz or 220V-240V~, 50/60 Hz
Power consumption P1	1836 W
Max. current consumption	
100-110V~	13,4A
220V-240V~	9,0A
Max. air ram pressure	0,72 bar (10,5 psi)
Rpm	21 000 rpm
Turbine weight	15 kg
Mains cable	3 m
Container capacity	1 liter
Air hose	9,1 m
Whip hose length	1,5 m
Nozzle set (standard)	No. 4 (1.8 mm)
Max. permissible coating temperature	43°C
Typical coating flow rate	0,35 l/min
Max. noise level	
turbo-blower	75 dB (A) *
paint spray gun	76 dB (A)

\* Measuring location: 1 m in distance from the unit 1.60 m above the floor, reverberant floor.


\*\* Measuring location: 2.5 m distance from the unit 1.60 m above the floor.

### 3 USING AN HVLP SPRAY SYSTEM



	Refer to the following information to operate and understand your HVLP spray system.
	Your system may include a short air (“whip”) hose. The short hose should be connected to the longer hose or a remote spraying system (sold separately) and NOT directly to the turbine. See your spray gun instruction manual for complete instructions.



- 1. Turbine
- 2. Air hose
- 3. Whip hose
- 4. Coupling
- 5. Spray gun

 <b>Attention</b>	Do not attach the short air whip hose directly to the turbine, as the hose will become damaged.
---	---

#### 3.1 SETUP

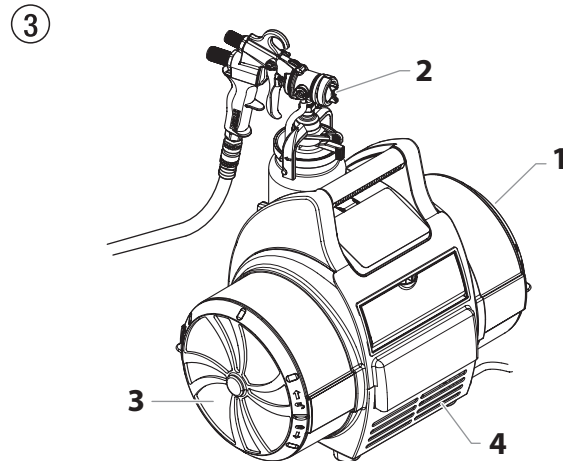
	Use the following procedure to set up your HVLP spray system for operation.
	Keep the turbine at the maximum possible distance from the spray area to safeguard against explosion or fire that may be caused by sparking electrical parts.

1. Prepare your spray gun for operation. Refer to your spray gun manual for material preparation, setup, and spraying information.
2. Attach the air hose to the air outlet on the turbine.
3. Attach the air hose to the air inlet on your spray gun.

4. Plug the turbine power cord into a grounded receptacle.
5. Turn on the turbine and begin spraying.



#### 3.2 DUAL FILTRATION SYSTEM

The turbine has two different air filters— one for atomizing air and one for cooling air. The atomizing air filter (1) is a two-stage, fine mesh filter designed to trap particles that may damage your finish. The atomizing air is discharged through the nozzle of the spray gun where it atomizes the coating material (2). The cooling air filter (3) is a coarse mesh filter designed to allow the proper amount of air flow through the turbine for cooling purposes. Cooling air is exhausted through the cooling air discharge on the front of the turbine (4).



#### 3.3 FILTER WARNING SYSTEM

The filter warning system on your turbine consists of a red filter warning light on the front control panel and an air flow switch inside the turbine. When the air flow switch does not detect the appropriate amount of air flowing through the turbine, the filter warning light will come on to indicate that it is time to clean or change the filters.

	The filter warning system does not shut down the turbine.
 <b>Attention</b>	Clean filters regularly. Clogged filters can cause excessive heat and possibly damage the turbine.

## 4 STARTING OPERATION



Before connecting to the mains supply make sure that the mains voltage corresponds to the operating voltage on the rating plate. The unit must be connected with a properly earthed shockproof socket.

1. Screw air hose end (anti-kink spring) onto the turboblower. Couple air hose to the paint spray gun.
2. Open closing lever on the paint container, remove paint container.
3. Fill paint container with coating material.
4. Check that the paint container seal is clean and is seated correctly.
5. Clip the container onto the spray gun and secure with the closing lever.
6. Switch the turbo-blower on.
7. Point the paint spray gun at the object to be sprayed.
8. Determine the settings for the spray pattern, spray jet width, amount of material, amount of air and ascending feed pipe settings, see fig. 4 - 10 and the description page 7/8.
9. Operate trigger on the paint spray gun.

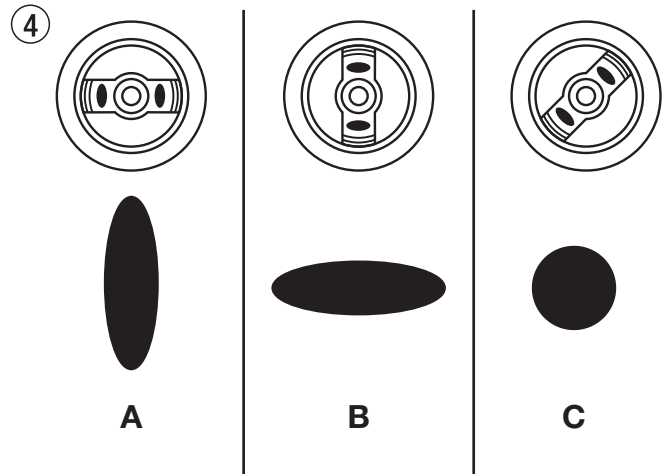
### 4.1 SETTING THE FC9900 PLUS SPRAY GUN

#### SPRAY PATTERN SELECTION (FIG. 4)

**A = vertical flat jet** for horizontal surfaces

**B = horizontal flat jet** for vertical surfaces

**C = Round jet** for corners and edges and places difficult to access.

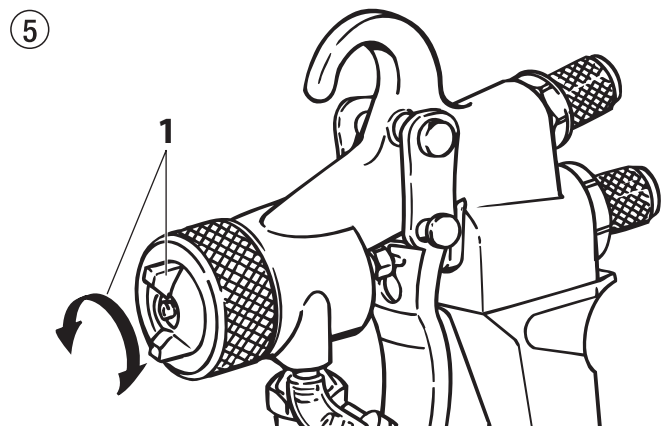


#### SETTING THE REQUIRED SPRAY PATTERN (FIG. 5)

Turn the air cap (1) to the required spray pattern position.



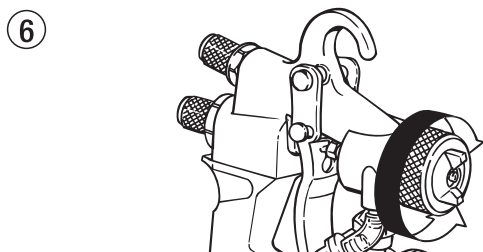
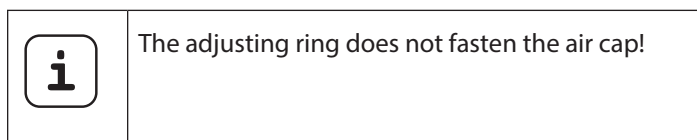
Never pull trigger while adjusting the air cap settings.



**SETTING THE SPRAY JET WIDTH (FIG. 6)****Adjusting ring**

Turn to the right = wider spray jet

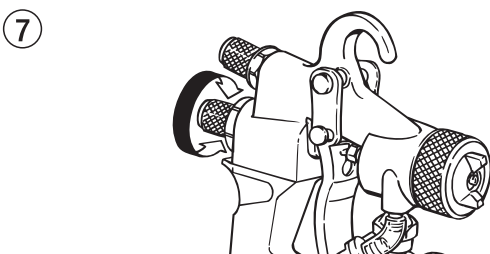
Turn to the left = narrower spray jet

**SETTING THE AMOUNT OF MATERIAL (FIG. 7)**

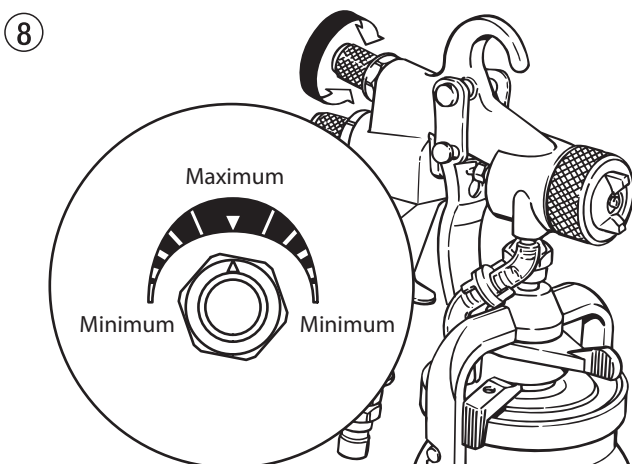
Set the amount of material by turning the material adjustment knob.

Turn to the left = more material

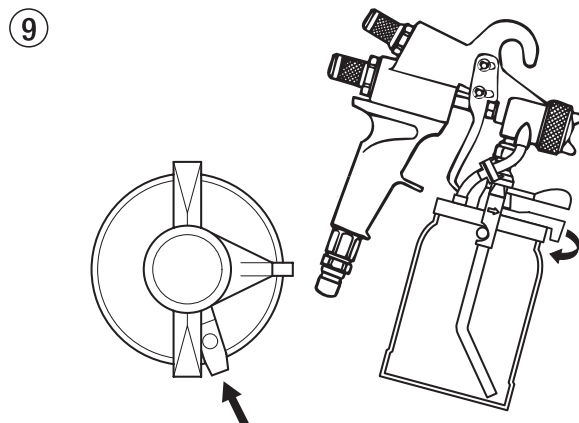
Turn to the right = less material

**SETTING THE AMOUNT OF AIR (FIG. 8)**

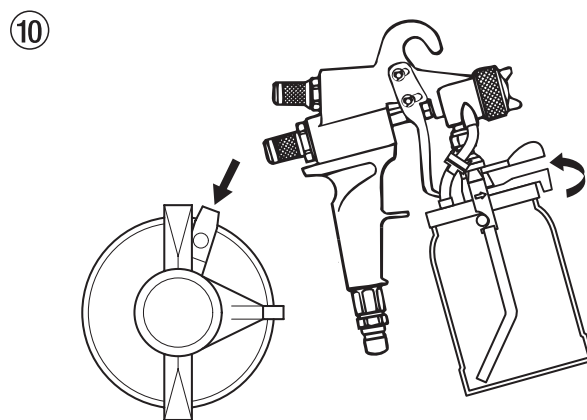
The correct setting for the amount of air is decisive for the atomization and formation of paint mist.

**SETTING THE ASCENDING FEED PIPE****SPRAYING OBJECT LYING ON FLOOR (FIG. 9)**

Turn rotating lever clockwise as far as it will go.

**SPRAYING OBJECT OVER HEAD (FIG. 10)**

Turn rotating lever anti-clockwise as far as it will go.





## 5 SPRAYING TECHNIQUE

Hold the paint spray gun upright and maintain a constant distance of about 3 - 20 cm to the object being sprayed.

Move the paint spray gun evenly either from side to side or up and down. If the gun is moved evenly, it will produce an even surface finish. No runs will occur if the speed is correct.

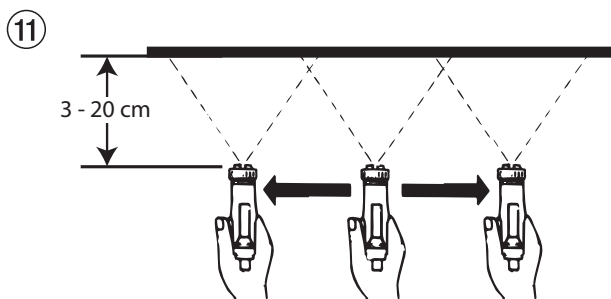
Always start spraying away from the object and avoid stopping spraying whilst still on the object.



If the round jet setting is used, the distance may be increased according to the size of the object being sprayed.

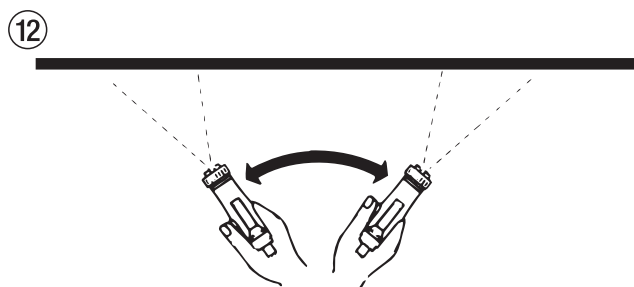
- In case of excessive paint mist formation, adjust the air and material flow respectively and alter the distance from the object.

### RIGHT



### WRONG

Excessive paint mist formation, uneven surface finish.

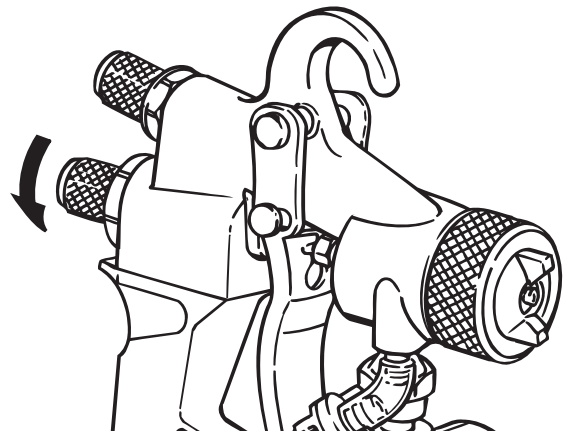


### 5.1 BREAKS IN WORK

- Turn the material regulating knob to the right as far as it will go (fig. 13).

This will secure the paint spray gun against unintentional operation.

13



- Switch the unit off.

## 6 FINISHING WORK AND CLEANING THE UNIT

1. Switch the unit off.
2. Hold the paint spray gun in the original container. Press the trigger to release the pressure in the spray gun container.
3. Undo the paint container closing lever and remove the container.
4. Empty the remaining coating material into the original container.
5. Fill the spray gun container with solvent or water and fit onto the spray gun.



Only use solvents with a flash point above 21 °C.

6. Shake the paint spray gun well.
7. Switch the unit on and spray the solvent or water into an open container.



Never spray into a container with only a small opening (bunghole)!

8. Repeat this procedure until the solvent or water coming out of the tip is clear.  
Then empty the paint container completely.



Never leave solvents in the spray gun container; this may cause pressure to build up in the container.

Always keep the paint container seal clean of left over coating material and check regularly for signs of damage.

9. Switch the unit off.
10. Clean the outer surfaces of the paint container and paint spray gun with a cloth soaked in solvent or water.



Do not leave the FineCoat 9900 Plus spray gun immersed in solvent for extended periods! (The seals and air pipe on non-return valve may swell, preventing them from functioning properly.)

11. Unscrew adjusting ring, remove air cap and spring plate. Unscrew nozzle. Clean air cap, tip and needle with brush and solvent or water.



Never use sharp metal objects to clean the nozzles or air channels of the FC9900 Plus spray gun.

12. Apply a fine coat of silicone-free oil to the marked areas (fig 14).

14



13. If the paint spray gun is not used for any length of time, it should be cleaned and protected by applying a fine coat of silicone-free oil.

## 7 MAINTENANCE



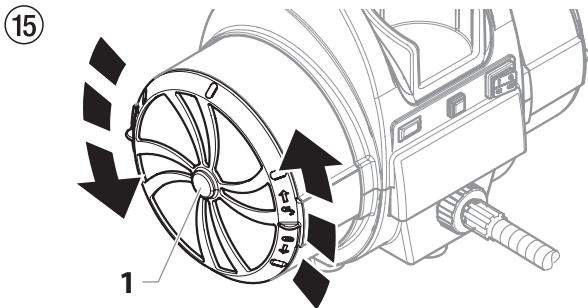
Use the following procedures to keep your HVLP spray system running properly.

### 7.1 CLEANING / REPLACING THE FILTERS



Make sure the turbine is unplugged before changing the filters.

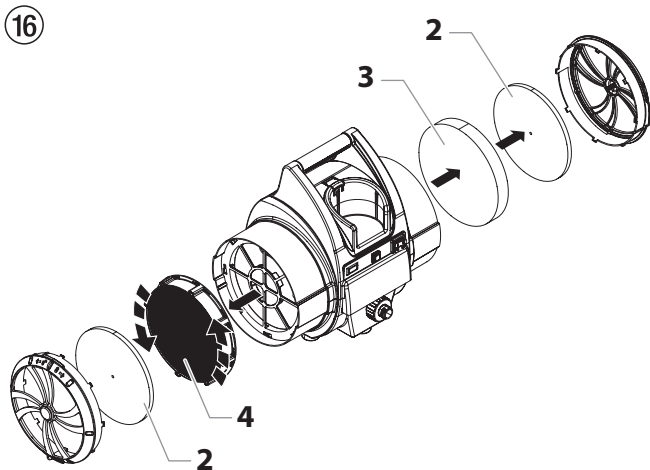
1. Remove the filter covers (1) on each side of the turbine by turning them counterclockwise.



2. Remove each filter set (pre-filter [2] and filter [3]) from the filter housing on each side of the turbine.



The white pleated filter (4) is removed from the turbine in the same manner as the filter cover. Turn counterclockwise to unlock and remove.



Do not use highly flammable solvents, such as lacquer thinner, to clean the filters.



Attention

Do not soak paper pleated filter in solvents. Only tap the filter or use compressed air directed at the inside (the clean side).

3. Clean the filters. Either tap the filters to knock out the contaminants or use pressurized air to blow out the contaminants. For material that is not blown or knocked loose easily, soak the filters in soapy water or mineral spirits. Allow the filters to dry completely before placing them back in the turbine.
4. Insert each filter back into its corresponding filter can.



Make sure the white pleated filter is fitted securely to the spokes of the filter can. Turn clockwise to secure in place.

5. Replace the filter covers on each side of the turbine by turning them clockwise.



After several cleanings, it may become necessary to replace the filters. Refer to the parts list near the end of this manual for the filter replacement kit part number.

### 7.2 CLEANING THE AIR HOSES

1. Periodically wipe the outer surface of the air hose with a damp cloth to keep clean.



Attention

DO NOT submerge into or flush the air hose with water or any chemical.

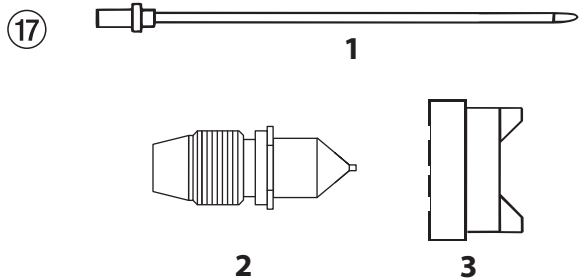
DO NOT use methylethylketon (MEK), naphtha, mineral spirits, paint thinner, xylol/xylene, or toluel/toluene to clean the air hose. Exposure over time could cause damage to the hose.

Store indoors with the cord wrapped around the handle.

## 8 CHOOSING A PROJECTOR SET



Your HVLP spray gun should be fitted with the proper projector set for the type of work you will be performing. A projector set consists of a needle assembly (Fig. 17, item 1), a fluid nozzle (2), and an air cap (3).

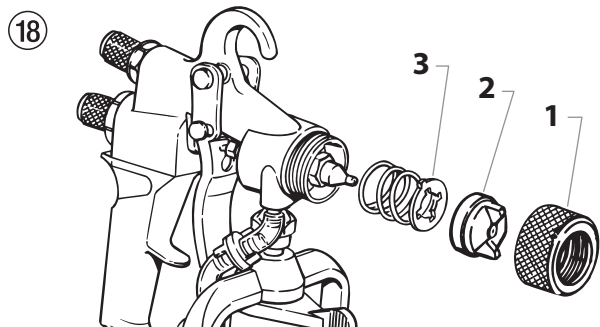


You should choose a projector set based on two things: the type of material to be sprayed and the finish desired.

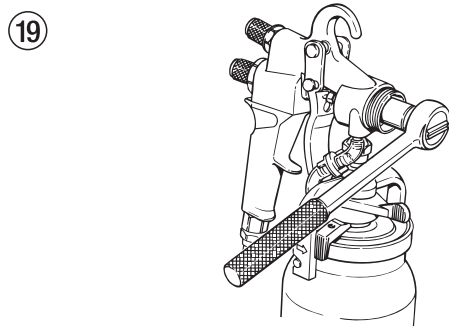
The chart on the following page should help you to make the right choice.

### 8.1 CHANGING A PROJECTOR SET

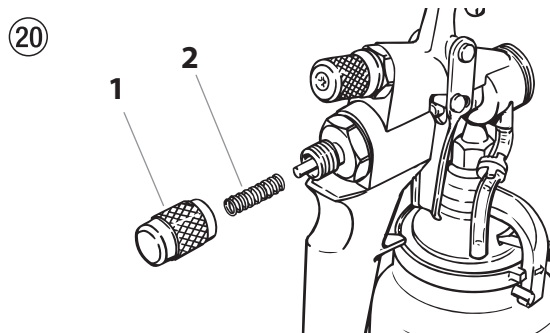
1. Remove the air cap ring (Fig. 18, item 1), air cap (2), and spring plate (3).



2. Remove the fluid nozzle.



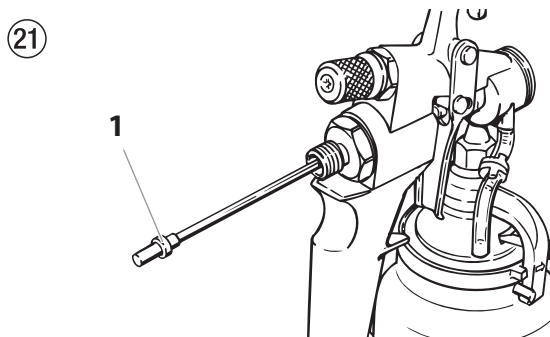
3. Remove the material flow adjustment knob (Fig. 19, item 1) and spring (2).



4. Remove the needle (Fig. 20, item 1).



If the needle does not slide out easily, loosen the packing nut to prevent the needle or packing from being damaged.



5. Install the new projector set in reverse order.

## 9 MATERIAL REDUCTION/PROJECTOR SET CHART

Before spraying, the material being used must be thinned with an appropriate solvent and the proper projector set must be installed. It is always best to follow the material manufacturers recommendations and thinning procedures.

There are two simple methods of measuring the proper thickness of a material:

1. Dip a paint stick into the material and remove it, watching carefully as the material runs off. When the material begins to form drops, the drops should fall about 1 second apart.
2. Use a viscosity cup (P/N 0153165). Dip the cup into the material and remove it. Use a watch or clock to time how long the material drains from the cup in a continuous stream. Once the continuous stream breaks, stop timing and refer to the table below. Add the appropriate solvent and continue testing until the proper thickness is reached for the type of material you are using.

MATERIAL	VISCOSITY DIN-S (4 MM DIN CUP)	PROJECTOR SET
Solvent-based lacquer paints	15 - 45	3 - 4
Water-soluble lacquer paints	observe manufacturer's instructions	4 - 5
Wood preservatives (scumble, mordants, etc).	undiluted	2 - 3
Multi-color effect materials, multi-color paint	observe manufacturer's instructions	6 - 7
Texture and effect paints	observe manufacturer's instructions	5 - 6

## 10 REMEDY IN CASE OF FAULTS

Type of malfunction	Possible cause	Measures for eliminating the malfunction
A. Restricted air flow or no air flow	<ol style="list-style-type: none"> <li>1. Air flow adjustment knob on the spray gun is turned off</li> <li>2. Air filters are clogged</li> </ol>	<ol style="list-style-type: none"> <li>1. Adjust the air flow adjustment knob</li> <li>2. Clean or replace the filters</li> </ol>
B. Filter warning light is on	<ol style="list-style-type: none"> <li>1. Air filters are clogged</li> </ol>	<ol style="list-style-type: none"> <li>1. Clean or replace the filters</li> </ol>
C. The turbine has no power	<ol style="list-style-type: none"> <li>1. No power at the power supply</li> <li>2. Circuit breaker has been tripped.</li> <li>3. Worn turbine brushes</li> </ol>	<ol style="list-style-type: none"> <li>1. Check the power supply</li> <li>2. Reset the breaker. If problem persists, have turbine inspected at an authorized Wagner service center.</li> <li>3. Have the brushes replaced at an authorized Wagner service center</li> </ol>
D. Excessive arcing/sparking in the turbine	<ol style="list-style-type: none"> <li>1. Worn turbine brushes</li> <li>2. Damaged commutator</li> </ol>	<ol style="list-style-type: none"> <li>1. Have the brushes replaced at an authorized Wagner service center</li> <li>2. Replace the turbine (contact a Wagner service technician)</li> </ol>



The turbine motor can be damaged if not serviced properly. Have the brushes (P/N 0276878) checked for wear by an authorized service center every 400 hours.  
 Clean filters regularly. Clogged filters can cause excessive heat and possibly damage the unit.  
 For additional troubleshooting information, see the manual that came with your gun.

### 10.1 SERVICE

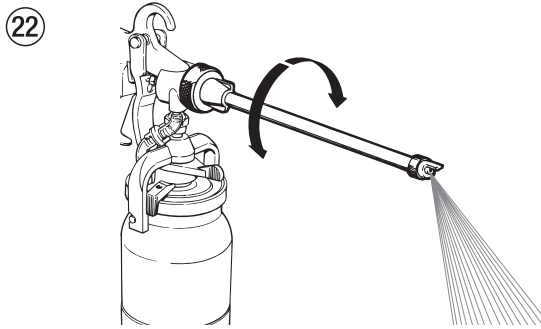
Should your spray system need service during the warranty period, return your unit and the proof of purchase to the distributor where it was purchased. At our option, the unit will be repaired or replaced. In a continued commitment to improve quality, we reserve the right to make component or design changes when necessary.

## 11 SPECIAL ACCESSORIES

### RN 30 EXTENSION TIP (FIG. 22)

for ribbed radiators, length 30cm.

Part No. **0261 020**



### WSL 50 SPRAY LANCE (FIG. 23)

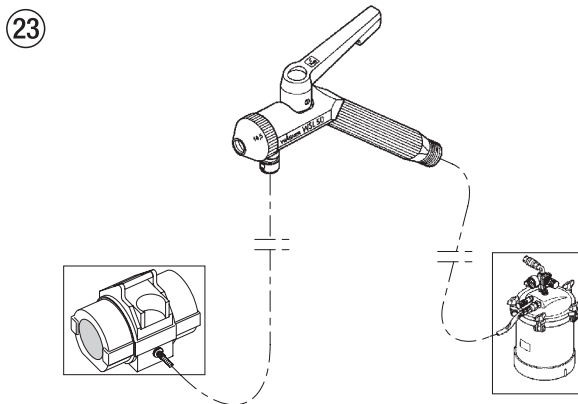
#### Area of application

Removating and repair work

For ceilings and walls

Material supply by means of a commercially available pressure tank.

Part No. **0261 023**

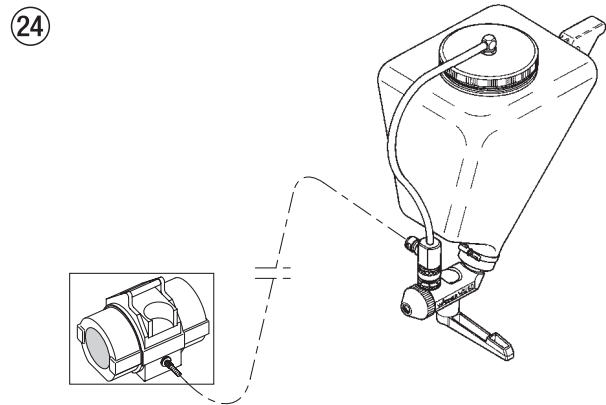


### WSL 60 SPRAY LANCE (FIG. 24)

#### When coating materials can be used?

Coating materials which, due to their properties, cannot be used with a paint spray gun, e.g., liquid wood chip, multi-color effect coating, ornamental plaster, texture and spray filler, etc.

Part No. **0261 024**

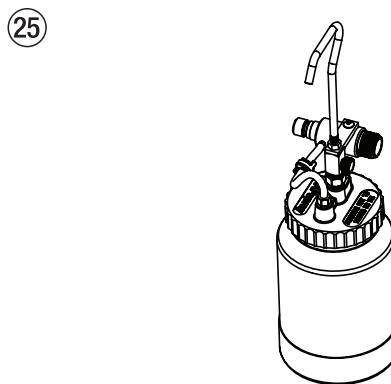


### POWER CART

Part No. **0524 001**

### 1.9 L REMOTE PRESSURE TANK (FIG. 25)

Part No. **0524 230**



**3 + 2 YEAR GUARANTEE ON THIS WAGNER CONTRACTOR PRODUCT**

(Status 03.03.2022)

WAGNER exclusively provides the commercial buyer who has purchased the product from an authorised specialist dealer (hereinafter referred to as the „Customer“) with a guarantee for the products listed on the Internet at <https://go.wagner-group.com/3plus2-info> in addition to the statutory warranty regulations, unless there is a guarantee exclusion.

The guarantee period for WAGNER products (devices) in the contractor's sector is 36 months and begins with the date of purchase of the initial purchase. This guarantee period is extended by a further 24 months if the product is registered within 28 days of purchase on the Internet at <https://go.wagner-group.com/3plus2>.

In cases of commercial rental, industrial use (e.g. use in shift operation) or equivalent use, the guarantee period is 12 months due to the significantly higher load. We reserve the right to carry out a check in individual cases and refuse the guarantee where necessary.

If any material, machining or performance defects are identified in the device within the guarantee period, then the guarantee claims must be made immediately and within a period of no more than 2 weeks following discovery of the defect.

The detailed guarantee conditions can be obtained on request from our authorised WAGNER partners (see website or operating instructions) or in text form on our website:

<https://go.wagner-group.com/pf-warranty-conditions>



<b>1</b>	<b>SICHERHEITSVORSCHRIFTEN</b>	<b>17</b>
1.1	Erklärung der verwendeten Symbole	17
1.2	Sicherheitsrisiken	17
1.3	Elektrische Sicherheit	18
<b>2</b>	<b>EINFÜHRUNG</b>	<b>19</b>
2.1	Technische Daten	19
<b>3</b>	<b>BENUTZUNG DES HVLP-SPRITZSYSTEMS</b>	<b>20</b>
3.1	Montage	20
3.2	Duales Filtersystem	20
3.3	Filterwarnsystem	20
<b>4</b>	<b>INBETRIEBNAHME</b>	<b>21</b>
4.1	Einstellung der FC900 Plus-Farbspritzpistole	21
<b>5</b>	<b>SPRITZTECHNIK</b>	<b>23</b>
5.1	Arbeitsunterbrechung	23
<b>6</b>	<b>AUSSERBETRIEBNAHME UND REINIGUNG DES GERÄTES</b>	<b>24</b>
<b>7</b>	<b>WARTUNG</b>	<b>25</b>
7.1	Reinigung/ Auswechseln der Filter	25
7.2	Reinigung der Luftschläuche	25
<b>8</b>	<b>AUSWAHL DES SPRITZDÜSEN-SETS</b>	<b>26</b>
8.1	Auswechseln des Spritzdüsen-Sets	26
<b>9</b>	<b>TABELLE MATERIALVERDÜNNUNG / SPRITZDÜSEN-SET</b>	<b>27</b>
<b>10</b>	<b>HILFE BEI STÖRUNGEN</b>	<b>27</b>
10.1	Service	27
<b>11</b>	<b>SONDERZUBEHÖR</b>	<b>28</b>
<b>3 + 2 JAHRE GARANTIE AUF DIESES WAGNER HANDWERKER PRODUKT</b>		<b>29</b>
<b>ERSATZTEILE</b>		<b>86</b>
Ersatzteilliste für Hauptbaugruppe		86
Ersatzteilliste für Turbinenanordnung		88
Ersatzteilliste für obere Gehäuseeinheit		90
Ersatzteilliste für untere Gehäuseeinheit		92
<b>SCHALTPLAN</b>		<b>94/95</b>
<b>CE KONFORMITÄTSERKLÄRUNG</b>		<b>96/97</b>
<b>WAGNER-SERVICENETZ</b>		<b>99/100</b>



# 1 SICHERHEITSVORSCHRIFTEN

## 1.1 ERKLÄRUNG DER VERWENDETEN SYMBOLE

Diese Bedienanleitung enthält Informationen, die der Benutzer vor Verwendung des Geräts gründlich durcharbeiten muss. In Bereichen, die mit den folgenden Symbolen gekennzeichnet sind, besonders vorsichtig arbeiten und alle Sicherheitshinweise beachten.



- Dieses Symbol verweist auf eine potenzielle Gefahr, die zum Tode oder zu schweren Verletzungen führen kann. Hier finden Sie wichtige Sicherheitsinformationen.



- Dieses Symbol weist auf eine potenzielle Gefahr für Sie bzw. das Gerät hin. Unter diesem Symbol finden Sie wichtige Informationen, wie Sie Schäden an dem Gerät und Verletzungsgefahr vermeiden.



- Gefahr der Verletzung durch Hautverbrennungen



- Brandgefahr durch Lösemittel und Farbdämpfe



- Explosionsgefahr durch Lösemittel, Farbdämpfe und ungeeignete Materialien



- Verletzungsgefahr durch das Einatmen von schädlichen Dämpfen



- Gehörschutz tragen



- Arbeitsschutzbrille tragen



- Hinweise enthalten wichtige Informationen, die beachtet werden sollten.

## 1.2 SICHERHEITSRISIKEN



### GEFAHR: EXPLOSIONSGEFAHR AUFGRUND INKOMPATIBLER MATERIALIEN

Inkompatible Materialien können schwere Personen- und Sachschäden verursachen.

#### VORSICHTSMASSNAHMEN:

- Keine Materialien verarbeiten, die Chlor oder Hypochlorid enthalten.
- Keine halogenierten Kohlenwasserstoffe als Lösungsmittel verwenden, beispielsweise Methylenchlorid und 1,1,1-Trichlorethan. Diese Stoffe greifen Aluminium an und können Explosionen verursachen. Wenn Sie sich nicht sicher sind, ob das Material mit Aluminium kompatibel ist, informieren Sie sich bei dem Lacklieferanten.



Eine Liste von Materialien, die für den Aufbau und die Bestandteile des Gerätes verwendet wurden, kann auf Anfrage zur Verfügung gestellt werden, um die Kompatibilität mit den Beschichtungsmaterialien, die verwendet werden sollen, zu überprüfen.



### GEFAHR: ALLGEMEINES

Kann schwere Personen- oder Sachschäden verursachen.

#### VORSICHTSMASSNAHMEN:

- Alle Anweisungen und Sicherheitshinweise vor Inbetriebnahme des Geräts durcharbeiten.
- Alle lokalen sowie im Land bzw. Bundesland geltenden Vorschriften zum Brandschutz, zur Bedienung und Lüftung einhalten.
- Nur vom Hersteller zugelassene Teile verwenden. Bei Verwendung von Teilen, die nicht die technischen Mindestanforderungen erfüllen, trägt der Benutzer alle Risiken und die gesamte Haftung. Dies gilt auch für die Sicherheitsvorrichtungen der Pumpe.
- Vor jedem Einsatz alle Schläuche auf Einschnitte, Leckstellen, Scheuerstellen oder gewölbte Oberflächen kontrollieren. Die Kupplungen auf Unversehrtheit und festen Sitz kontrollieren. Schläuche unverzüglich ersetzen, wenn einer der oben genannten Fehler festgestellt wird. Reparieren Sie niemals einen Schlauch. Tauschen Sie diesen mit einem identischen Schlauch aus.
- NIEMALS die Spritzpistole auf Körperteile richten.

- Tragen Sie Kleidung, damit Ihre Haut oder Ihre Haare nicht mit Farbe in Berührung kommen.
- Gehörschutz tragen.
- Verwenden Sie das Gerät an windigen Tagen nicht im Freien.
- Lassen Sie dieses Gerät niemals unbeaufsichtigt. Das Gerät sollte für Kinder und Personen, die mit der Bedienung des HVLP-Gerätes nicht vertraut ist, unzugänglich aufbewahrt werden.



### GEFAHR: GEFÄHRLICHE DÄMPFE

Farben, Insektizide, Lösungsmittel und andere Materialien können beim Einatmen oder beim Kontakt mit dem Körper gesundheitsschädlich sein. Die Dämpfe können schwere Übelkeit, Ohnmacht und Vergiftungen verursachen.

#### VORSICHTSMASSNAHMEN:

- Wenn die Gefahr besteht, dass Dämpfe eingeatmet werden, eine Gesichtsmaske oder ein Atemgerät tragen. Alle mit der Gesichtsmaske mitgelieferten Anleitungen durcharbeiten, damit die Gesichtsmaske auch den gewünschten Schutz bietet.
- Arbeitsschutzbrille tragen.
- Arbeitsschutzkleidung entsprechend den Anweisungen des Lackherstellers tragen.



### GEFAHR: HAUTVERBRENNUNGSGEFAHR

Erhitzte Bauteile können zu schweren Hautverbrennungen führen

#### VORSICHTSMASSNAHMEN:

- Schnellverschlüsse am Schlauch und an der Spritzpistole werden bei der Benutzung heiß. Vermeiden Sie Hautkontakt mit den Schnellverschlüssen, wenn diese heiß sind. Lassen Sie die Schnellverschlüsse erst abkühlen, bevor Sie die Spritzpistole vom Schlauch trennen.



### GEFAHR: EXPLOSIONS- UND BRANDGEFAHR

Lösungsmittel und Farbdämpfe können sich entzünden oder explodieren. Schwere Verletzungen und/oder Sachschäden können die Folge sein.

#### VORSICHTSMASSNAHMEN:

- Für guten Abzug und Zufuhr von Frischluft sorgen, damit sich im Spritzbereich keine entzündlichen Dämpfe sammeln.

- Alle Zündquellen wie Funken durch elektrostatische Entladung, Elektrogeräte, offene Flammen, Zündflammen, heiße Gegenstände und Funken durch Anschließen und Trennen von Netzkabeln oder Betätigen von Schaltern (z.B. an Arbeitsscheinwerfern) ausschließen.
- Das Gerät immer in einem separaten Metallbehälter mit niedrigem Pumpendruck und entfernter Spritzdüse spülen. Die Spritzpistole fest an die Wand des Behälters halten, um den Behälter zu erden und Funken durch elektrostatische Entladungen zu verhindern.
- Im Spritzbereich nicht rauchen.
- Es muss ein funktionsfähiger Feuerlöscher vorhanden sein.
- Das Netzkabel muss an einem Schutzkontaktstromkreis angeschlossen sein (nur für Elektrogeräte).
- Die Warnhinweise und Vorschriften des Herstellers der Lösungsmittel und Materialien einhalten. Beachten Sie zum sicheren Gebrauch das Sicherheitsdatenblatt und die technischen Angaben des Anstrichmaterials.
- Seien Sie besonders vorsichtig, wenn Sie Materialien mit einem Flammpunkt unter 21°C verwenden. Der Flammpunkt ist die Temperatur, bei der eine Flüssigkeit genug Dämpfe freisetzt, damit sich diese entzündet.
- Das zu beschichtende Spritzobjekt muss geerdet sein.
- Vor allen Arbeiten am Gerät den Netzstecker aus der Steckdose ziehen.

## 1.3 ELEKTRISCHE SICHERHEIT

Elektrogeräte müssen geerdet werden. Bei einem elektrischen Kurzschluss reduziert die Erdung die Gefahr eines elektrischen Schlages, da der Fehlerstrom über den Schutzleiter abgeführt wird. Dieses Gerät ist mit einem Netzkabel versehen, das einen Schutzkontaktstecker besitzt. Anschluss an das Stromnetz nur über einen besonderen Speisepunkt z. B. über eine Fehlerstromschutzeinrichtung mit  $INF \leq 30 \text{ mA}$ .



GEFAHR — Arbeiten oder Reparaturen an der elektrischen Ausrüstung nur von einer Elektrofachkraft durchführen lassen. Für unsachgemäße Installation wird keine Haftung übernommen. Gerät ausschalten. Vor allen Reparaturen – Netzstecker aus der Steckdose ziehen.



Gerätereinigung: Kurzschlussgefahr durch eindringendes Wasser in die elektrische Ausrüstung. Gerät niemals mit Hochdruck- oder Dampfhochdruckreiniger abspritzen.

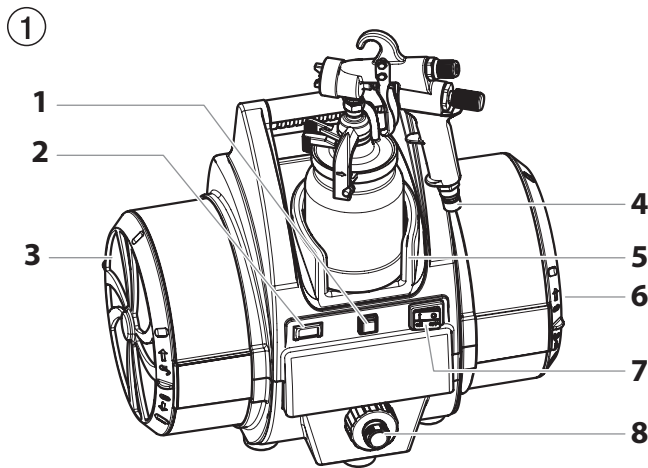


Achtung – das Netzkabel dieses Geräts dient als Netztrenneinrichtung. Das Netzkabel muss an eine gut zugängliche, unversperrte Steckdose angeschlossen werden.

## 2 EINFÜHRUNG

Dieses High Volume/ Low Pressure System (HVLP) wurde für das Spritzen von Oberflächen entwickelt, die so schneller als mit der Bürste oder Rolle bearbeitet werden können, jedoch für das herkömmliche Airless-Spritzen zu klein sind. Die Komponenten dieses Systems umfassen einen Leistungsschalter, ein Netz Kabel, ein Filterwarnlicht, einen Trennschalter, ein duales Filtersystem, einen Becherhalter, einen Luftschlauch und einen Luftauslass.

Die Turbine ist ebenfalls mit einem Werkzeugkasten ausgestattet. Er befindet sich auf der Rückseite der Turbine und kann zur Unterbringung von Projektorguppen oder sonstigen kleinen Ersatzteilen verwendet werden.



1. Trennschalter
  2. Filterwarnleuchte
  3. Filter
  4. Lufteinlass
  5. Farbnapf
  6. Filter (am Ende des Filtertopfes)
  7. Netzschalter
  8. Luftauslass
- \* Luftschlauch nicht dargestellt.

Mit diesem HVLP-Spritzsystem erreichen Sie eine professionelle Oberflächenbearbeitung auf höchstem Qualitätsniveau mit nur geringer bzw. ganz ohne Vorbereitungs- bzw. Installationszeit. Lesen Sie bitte vor Beginn der Arbeiten alle in diesem Handbuch enthaltenen Informationen über das System gründlich durch.



### 2.1 TECHNISCHE DATEN

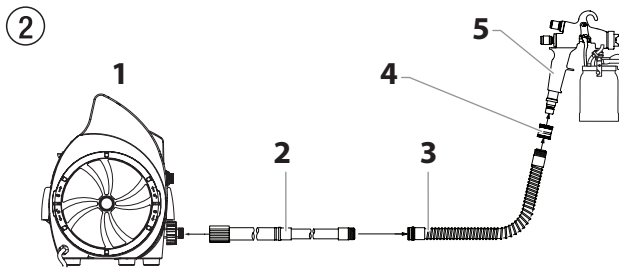
Spannung	220V-240V~, 50/60 Hz
Leistungsaufnahme P1	1836 W
max. Stromaufnahme	9,0A
max. Luftstaudruck	0,72 bar
Drehzahl	21.000 1/min
Turbinengewicht	15 kg
Netz Kabel	3 m
Behälterinhalt	1 Liter
Länge Hauptschlauch	9,1 m
Länge Peitschenschlauch	1,5 m
Spritzdüsen set (Standard)	Nr. 4 (1,8 mm)
Maximal zulässige Spritztemperatur	43°C
Typischer Spritzdurchsatz	0,35 l/m
max.Schalldruckpegel	
Turboegebläse	75 dB (A) *
Farbspritzpistole	76 dB (A) **

\* Messort: Abstand 1 m seitlich vom Gerät und 1,60 m über dem Boden, schallharter Boden.


\*\* Messort: Abstand 2,5 m vom Gerät und 1,60 m über dem Boden.

### 3 BENUTZUNG DES HVLP-SPRITZSYSTEMS



	Gehen Sie wie folgt vor, um Ihr HVLP-Spritzsystem für die Benutzung vorzubereiten.
	Ihr System kann einen kurzen Luftschlauch („Schlauchpeitsche“) enthalten. Dieser kurze Schlauch ist mit dem längeren Schlauch oder einem ferngesteuerten Sprühsystem (separat erhältlich) und NICHT direkt mit der Turbine verbunden werden. Siehe Bedienungsanleitung Spritzpistole für eine vollständige Anleitung.



- 1. Turbine
- 2. Luftschlauch
- 3. Schlauchpeitsche
- 4. Kupplung
- 5. Spritzpistole

 <b>Achtung</b>	Schließen Sie die kurze Schlauchpeitsche nicht direkt an der Turbine an, da der Schlauch dadurch beschädigt wird.
---	---

#### 3.1 MONTAGE

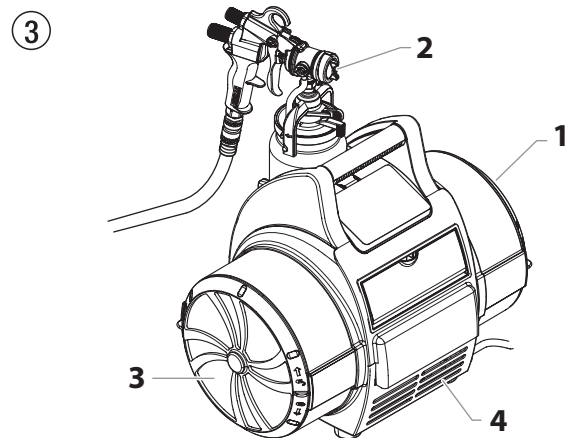
	Gehen Sie wie folgt vor, um Ihr HVLP-Spritzsystem für die Benutzung vorzubereiten.
	Die Turbine ist möglichst weit entfernt vom Spritzbereich zu halten, um der Gefahr einer Explosion oder eines Brandes durch Funken bildende elektrische Bauteile vorzubeugen.

1. Bereiten Sie Ihre Spritzpistole für die Benutzung vor. Siehe hierzu die Informationen im Spritzpistolen-Handbuch bezüglich der Materialvorbereitung, Montage sowie des Spritzens.
2. Schließen Sie den Luftschlauch an den Luftauslass an der Turbine an.

3. Schließen Sie den Luftschlauch an den Lufteinlass an Ihrer Spritzpistole an.
4. Schließen Sie das Netzkabel der Turbine an eine geerdete Steckdose an.
5. Schalten Sie die Turbine ein und beginnen mit dem Spritzen.



#### 3.2 DUALES FILTERSYSTEM

Die Turbine verfügt über zwei verschiedene Luftfilter - eines für das Zerstäuben der Luft und eines für das Kühlen der Luft. Das Filter für die Zerstäuberluft (1) ist ein zweistufiges Feinfilter, das die Funktion hat Partikel aufzufangen, wodurch die Oberflächenbearbeitung beschädigt werden könnte. Die Zerstäuberluft wird durch die Düse der Spritzpistole nach außen gestoßen, wo sie das Beschichtungsmaterial zerstäubt (2). Das Kühlluftfilter (3) ist ein grobmaschiges Filter, das die Funktion hat die entsprechende Menge an Luft durch die Turbine für Kühlzwecke strömen zu lassen. Die Kühlluft wird durch den Kühlluftauslass an der vorderen Seite der Turbine (4) freigesetzt.




#### 3.3 FILTERWARNSYSTEM

Das Filterwarnsystem auf der Turbine besteht aus einer roten Filterwarnleuchte auf dem vorderen Bedienfeld und einem Luftströmungsschalter in der Turbine. Registriert der Luftströmungsschalter, dass nicht die entsprechende Menge an Luft durch die Turbine fließt, so geht die Filterwarnleuchte an, um anzuzeigen, dass es an der Zeit ist, die Filter zu reinigen oder auszuwechseln.

	<p>Das Filterwarnsystem schaltet die Turbine nicht ab.</p>
 <p>Achtung</p>	<p>Reinigen Sie die Filter regelmäßig. Verstopfte Filter können zu starker Hitzeentwicklung führen und mögliche Schäden an der Turbine verursachen.</p>

## 4 INBETRIEBNAHME

	<p>Vor Anschluss an das Stromnetz darauf achten, dass die Netzspannung mit der auf dem Leistungsschild angegebenen Betriebsspannung übereinstimmt. Der Anschluss muss über eine vorschriftsmäßig geerdete Schutzkontakt-Steckdose erfolgen.</p>
---	---

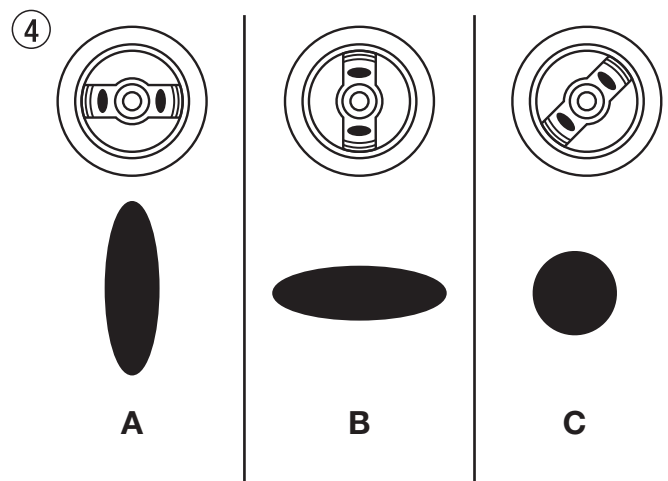
Vor Anschluss an das Stromnetz darauf achten, dass die Netzspannung mit der auf dem Leistungsschild angegebenen Betriebsspannung übereinstimmt. Der Anschluss muss über eine vorschriftsmäßig geerdete Schutzkontakt-Steckdose erfolgen.

1. Luftschauchende (Knickschutzfeder) an das Turbogebläse anschrauben.  
Luftschauch an die Farbspritzpistole ankuppeln.
2. Schließhebel über dem Farbbehälter öffnen, Farbbehälter abnehmen.
3. Farbbehälter mit Beschichtungsstoff füllen.
4. Farbbehälter-Dichtung auf richtigen Sitz und Sauberkeit prüfen.
5. Farbbehälter an der Farbspritzpistole einrasten und mit Schließhebel sichern.
6. Turbogebläse einschalten.
7. Farbspritzpistole auf das Spritzobjekt richten.
8. Spritzbild-, Spritzstrahlbreite-, Materialmengen-, Luftmengen- und Steigrohr-Einstellung festlegen, siehe Abb. 4 – 10 und Beschreibung Seite 21/22.
9. Abzugsbügel an der Farbspritzpistole ziehen.

### 4.1 EINSTELLUNG DER FC9000 PLUS-FARBSPRITZPISTOLE


#### AUSWAHL SPRITZBILDER (ABB. 4)

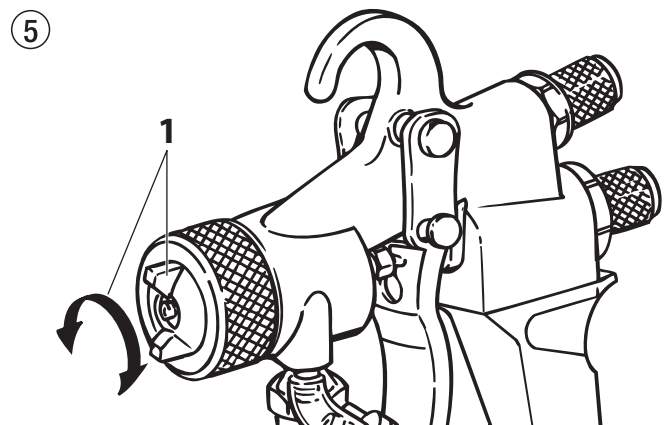
- A = senkrechter** Flachstrahl für horizontale Flächen  
**B = waagrechter** Flachstrahl für vertikale Flächen  
**C = Rundstrahl** für Ecken und Kanten sowie schwer zugängliche Stellen.



#### EINSTELLUNG DES GEWÜNSCHTEN SPRITZBILDES (ABB. 5)

Die Luftkappe (1) in die gewünschte Spritzbild-Position drehen.

 <p>Achtung</p>	<p>Niemals während der Einstellung der Luftkappe den Abzugsbügel ziehen.</p>
--	--

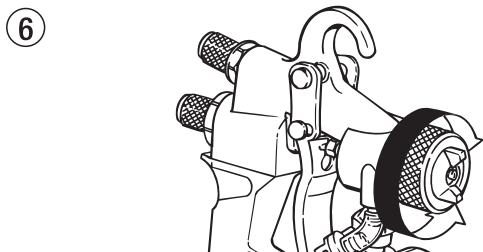


**EINSTELLUNG DER SPRITZSTRAHLBREITE (ABB. 6)**

**Regulerring**

nach rechts drehen = breiterer Spritzstrahl  
 nach links drehen = schmalerer Spritzstrahl

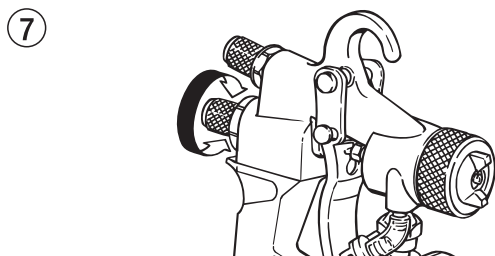
<b>i</b>	Der Regulerring dient nicht zur Fixierung der Luftkappe!
----------	--



**EINSTELLUNG DER MATERIALMENGE (ABB. 7)**

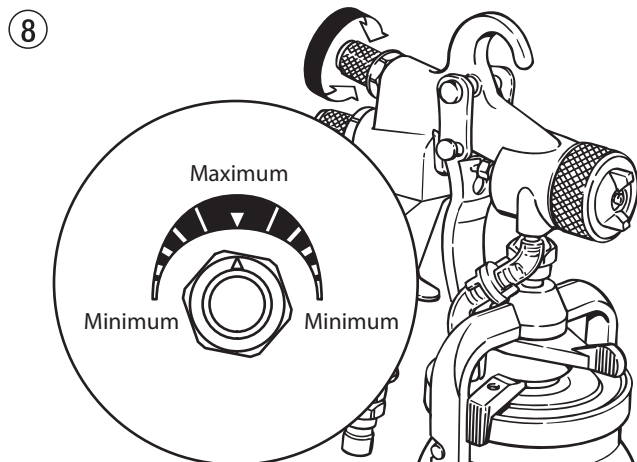
Materialmenge durch Drehen des Material-Regulierknopfs festlegen.

nach links drehen = mehr Materialmenge  
 nach rechts drehen = weniger Materialmenge



**EINSTELLUNG DER LUFTMENGE (ABB. 8)**

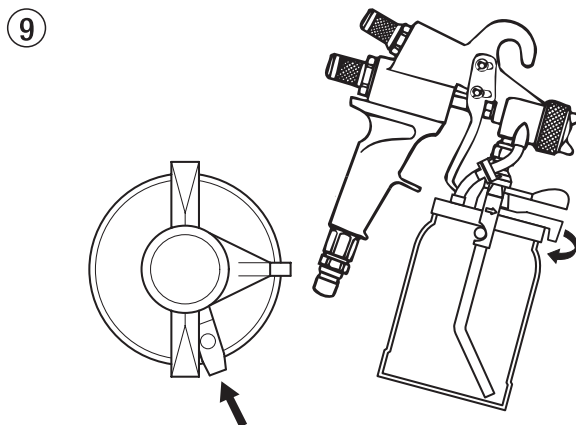
Die korrekte Einstellung der Luftmenge ist entscheidend für die Zerstäubung und die Vermeidung von Farbnebeln.



**EINSTELLUNG DES STEIGROHRS**

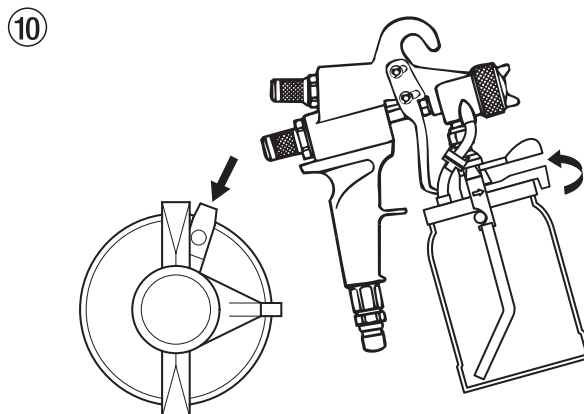
**SPRITZARBEITEN BEI LIEGENDEN OBJEKTEN (ABB.9)**

Drehhebel im Uhrzeigersinn bis zum Anschlag drehen.



**SPRITZARBEITEN BEI ÜBER KOPF OBJEKTEN (ABB. 10)**

Drehhebel entgegen dem Uhrzeigersinn bis zum Anschlag drehen.



## 5 SPRITZTECHNIK

Halten Sie die Farbspritzpistole senkrecht und in gleichmäßigem Abstand von etwa 3 – 20 cm zum Spritzobjekt.

Bewegen Sie die Spritzpistole gleichmäßig entweder quer oder auf und ab. Eine gleichmäßige Pistolenführung ergibt eine einheitliche Oberflächenqualität. Bei richtiger Arbeitsgeschwindigkeit erhält man ein Spritzbild ohne Läufer.

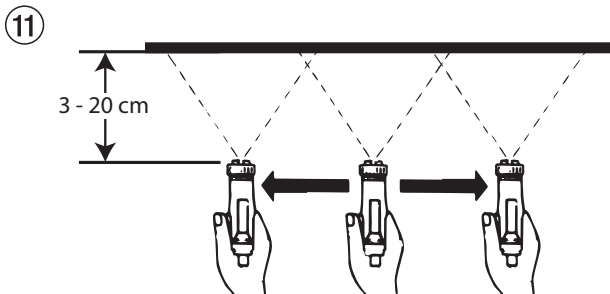
Außerhalb des Spritzobjekts beginnen und Unterbrechungen innerhalb des Spritzobjekts vermeiden.



Bei Einstellung Rundstrahl kann der Abstand je nach Objekt vergrößert werden.

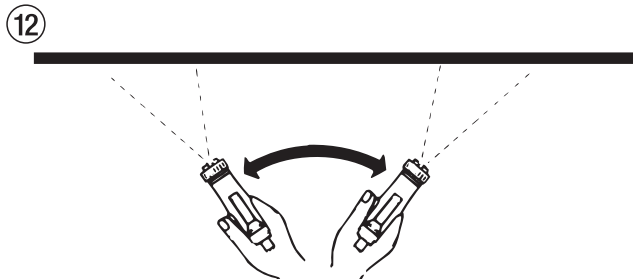
- Bei zu großer Farbnebelbildung ist die Luft- und Materialmenge sowie der Abstand zum Objekt zu optimieren.

### RICHTIG



### FALSCH

Große Farbnebelbildung ungleichmäßige Oberflächenqualität

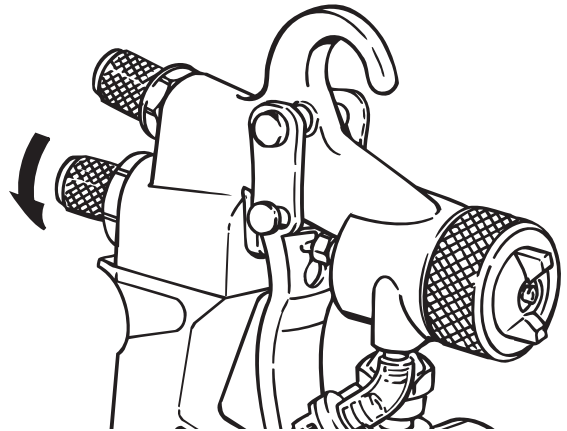


### 5.1 ARBEITSUNTERBRECHUNG

1. Material-Regulierknopf bis zum Anschlag nach rechts drehen (Abb. 13).

Die Farbspritzpistole ist dadurch gegen unbeabsichtigte Betätigung gesichert.


13




2. Gerät ausschalten.

## 6 AUSSERBETRIEBNAHME UND REINIGUNG DES GERÄTES


1. Gerät ausschalten.
2. Farbspritzpistole in Originalgebinde halten. Abzugsbügel betätigen, um Farbbehälter vom Druck zu entlasten.
3. Schließhebel am Farbbehälter öffnen und Farbbehälter abnehmen.
4. Restlichen Beschichtungsstoff im Farbbehälter in Originalgebinde leeren.
5. Lösemittel bzw. Wasser in den Farbbehälter einfüllen. Farbbehälter an der Spritzpistole anbringen.

	Nur Lösemittel mit einem Flammpunkt über 21° C verwenden.
---	---

6. Die Farbspritzpistole gut schütteln.
7. Gerät einschalten und Lösemittel bzw. Wasser in einen offenen Behälter spritzen.


	Nicht in Behälter mit nur kleiner Öffnung (Spundloch) spritzen! Siehe Sicherheitsvorschriften.
--	--

8. Den obigen Vorgang wiederholen, bis an der Düse klares Lösemittel bzw. Wasser austritt. Anschließend Farbbehälter vollständig entleeren.

	Der montierte Farbbehälter sollte nicht mit Lösemittel gefüllt bleiben, da sonst im Farbbehälter Druck entstehen kann.
---	--

Die Farbbehälter-Dichtung immer frei von Beschichtungsstoffresten halten und auf Beschädigung kontrollieren.

9. Gerät ausschalten.
10. Farbbehälter und Farbspritzpistole außen mit einem in Lösemittel bzw. Wasser getränkten Tuch reinigen.

	Die FC9900 Plus Farbspritzpistole nicht längere Zeit in Lösemittel einlegen! Die Funktionsfähigkeit der Dichtungen und Luftrohre am Rückschlagventil kann durch Aufquellen eingeschränkt werden.
---	--

11. Reguliererring abschrauben, Luftkappe und Federplatte abnehmen. Düse abschrauben. Luftkappe, Düse und Nadel mit Pinsel und Lösungsmittel bzw. Wasser reinigen.



Düsen- oder Luftbohrungen der Farbspritzpistole niemals mit spitzen metallischen Gegenständen reinigen.

12. An den gekennzeichneten Punkten mit silikonfreiem Öl leicht einölen (Abb. 14).

14



13. Wenn die Farbspritzpistole länger nicht gebraucht wird, sollte nach der Reinigung eine Konservierung mit silikonfreiem Öl vorgenommen werden.



## 7 WARTUNG



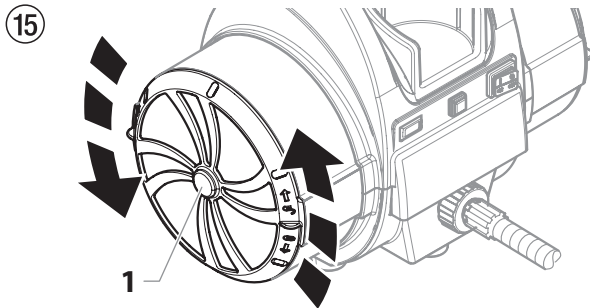
Gehen Sie wie im Folgenden beschrieben vor, damit Ihr HVLP-Spritzsystem einwandfrei funktioniert.

### 7.1 REINIGUNG/ AUSWECHSELN DER FILTER



Stellen Sie sicher, dass die Turbine vor dem Filterwechsel ausgezogen ist.

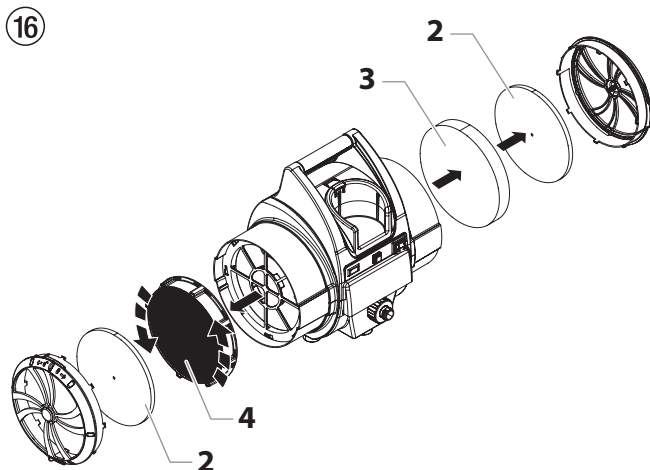
1. Entfernen Sie die Filterabdeckungen (1) zu jeder Seite der Turbine, indem Sie sie gegen den Uhrzeigersinn drehen.



2. Entfernen Sie jeden Filtersatz (Vorfilter [2] und Filter [3]) aus dem Filtergehäuse zu jeder Seite der Turbine.



Der weiße Plisseefilter (4) wird auf gleiche Art und Weise wie die Filterabdeckung aus der Turbine entnommen. Drehen Sie ihn gegen den Uhrzeigersinn, um ihn zu lösen und zu entfernen.



Verwenden Sie keine leicht entflammaren Lösungen, wie z. B. Verdünner, um die Filter zu reinigen.



Die Papierplisseefilter dürfen nicht in Lösungsmittel eingeweicht werden. Klopfen Sie die Filter aus oder verwenden Sie nach innen gerichtete (saubere Seite) Druckluft.

3. Reinigen Sie die Filter. Klopfen Sie die Filter aus, um Verunreinigungen zu entfernen oder verwenden Sie Druckluft, um sie auszublasen. Bei unbekanntem Material, das nicht leicht ausgeblasen oder losgeklopft werden kann, sind die Filter in Seifenwasser oder Spiritus einzulegen. Lassen Sie die Filter vollständig trocknen, bevor Sie sie wieder in die Turbine einsetzen.
4. Geben Sie jeden Filter wieder in den entsprechenden Filterbehälter zurück.



Stellen Sie sicher, dass der weiße Plisseefilter sicher an den Speichen des Filterbehälters angebracht ist. Zur Sicherung im Uhrzeigersinn drehen.

5. Setzen Sie die Filterabdeckung erneut zu jeder Seite der Turbine ein, indem Sie sie gegen den Uhrzeigersinn drehen.



Nach mehrmaligem Reinigen müssen die Filter ggf. ausgewechselt werden. Siehe hierzu die Teileliste am Ende dieses Handbuches bezüglich der Teilenummer für das Filteraustauschset.

### 7.2 REINIGUNG DER LUFTSCHLÄUCHE

1. Wischen Sie die Außenfläche des Luftschlauchs regelmäßig mit einem feuchten Tuch ab, um ihn zu reinigen.



Tauchen oder spülen Sie den Luftschlauch NICHT mit Wasser oder Chemikalien ab.

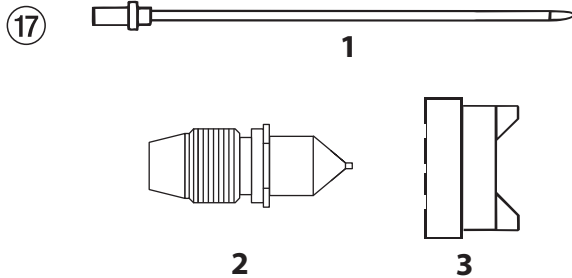
Verwenden Sie KEIN Methylalkohol (MEK), Naphtha, Spiritus, Farbverdünner, Xylol/Xylen oder Toluol, um den Luftschlauch zu reinigen. Deren langfristige Anwendung könnte den Luftschlauch beschädigen.

Innen aufbewahren und die Schnur dabei um den Griff wickeln.

## 8 AUSWAHL DES SPRITZDÜSEN-SETS



Ihre HVLP-Farbspritzpistole muss mit dem für die durchzuführende Arbeit geeigneten Spritzdüsen-Set ausgestattet sein. Ein Spritzdüsen-Set besteht aus einer Nadel (Abb. 17, Pos. 1), einer Sprühdüse (2) sowie einer Luftkappe (3).

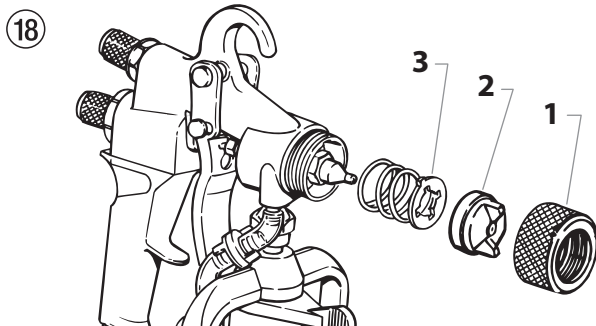


Sie sollten Ihr Spritzdüsen-Set auf der Grundlage zweier Kriterien auswählen: Materialtyp, der aufgesprüht werden soll sowie das gewünschte Oberflächen-Finish.

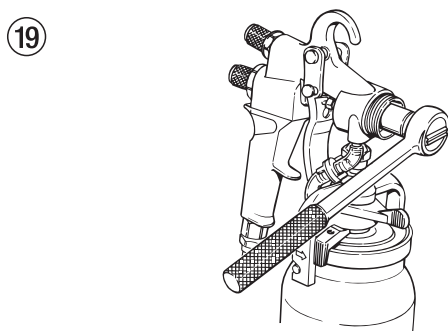
Mithilfe der Tabelle auf der folgenden Seite wird es Ihnen leichtfallen, die richtige Wahl zu treffen:

### 8.1 AUSWECHSELN DES SPRITZDÜSEN-SETS

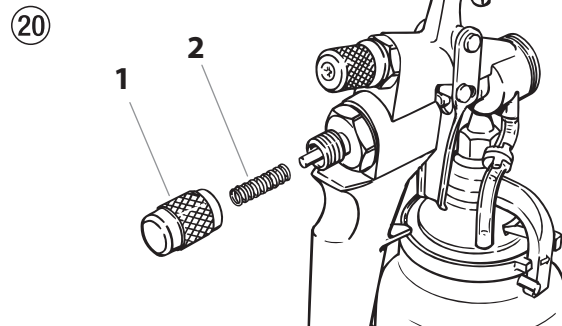
1. Entfernen Sie den Regulierring (Abb. 18, Pos. 1), die Luftkappe (2) sowie die Federplatte (3).



2. Entfernen Sie die Sprühdüse.



3. Entfernen Sie den Material-Regulierknopf (Abb. 20, Pos. 1) und die Feder (2).

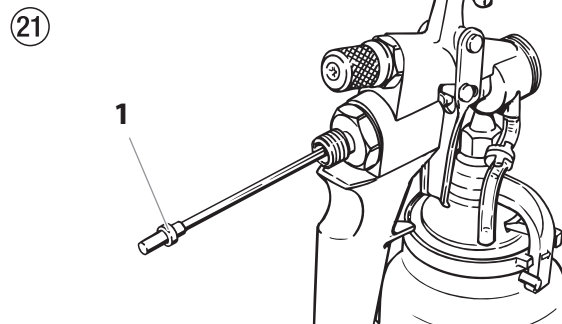


4. Entfernen Sie die Nadel (Abb. 21, Pos. 1).



**Achtung**

Rutscht die Nadel nicht leicht heraus, so lösen Sie die Dichtungsnut, um zu vermeiden, dass die Nadel oder die Dichtung beschädigt wird.



5. Die Montage des neuen Spritzdüsen-Sets erfolgt in umgekehrter Reihenfolge.

## 9 TABELLE MATERIALVERDÜNNUNG / SPRITZDÜSEN-SET

Vor dem Aufsprühen muss das aufzutragende Material mit einem geeigneten Lösungsmittel verdünnt und das geeignete Spritzdüsen-Set muss montiert werden. Es empfiehlt sich, stets die Empfehlungen der Materialhersteller und die vorgegebene Vorgehensweise zur Materialverdünnung zu befolgen.

Es gibt zwei einfache Methoden, um die geeignete Materialdicke festzustellen:

1. Tauchen Sie einen Farbroller in das Material und nehmen diesen wieder heraus; beobachten Sie genau, wie das Material nach unten läuft. Sobald das Material Tropfen bildet, sollte es mit einer Geschwindigkeit von 1 Sekunde tropfen.
2. Verwenden Sie einen Viskositätsbecher (P/N 0153165). Tauchen Sie den Becher in das Material und nehmen ihn wieder heraus. Verwenden Sie eine Uhr oder Armbanduhr, um zu bestimmen, wie lange das Material kontinuierlich vom Becher rinnt. Sobald der kontinuierliche Fluss unterbrochen wird, beenden Sie die Zeiterfassung und sehen in der unteren Tabelle nach. Fügen Sie das geeignete Lösungsmittel hinzu und setzen den Vorgang fort, bis die geeignete Dicke für den Materialtyp, den Sie benutzen, erreicht ist.

MATERIAL	VISKOSITÄT DIN-S (4MM DIN-BECHER)	SPRITZDÜSEN-SET
Lösemittelhaltige Lackfarben	15 - 45	3 - 4
Wasserverdünnbare Lackfarben	Herstellerangaben beachten	4 - 5
Holzschutzmittel (Lasuren, Beizen usw.)	unverdünnt	2 - 3
Bunteeffektmaterialien, Multicolorfarben	Herstellerangaben beachten	6 - 7
Struktur- und Effektlacke	Herstellerangaben beachten	5 - 6

## 10 HILFE BEI STÖRUNGEN

Art der Störung	Mögliche Ursache	Maßnahme zur Behebung der Störung
A. Eingeschränkte Luftströmung bzw. keine Luftströmung	<ol style="list-style-type: none"> <li>1. Luftstrom-Einstellknopf auf der Spritzpistole ist abgeschaltet</li> <li>2. Luftfilter sind verstopft</li> </ol>	<ol style="list-style-type: none"> <li>1. Stellen Sie den Luftstrom-Einstellknopf ein</li> <li>2. Reinigen Sie die Filter oder tauschen diese aus</li> </ol>
B. Filterwarnleuchte ist an	<ol style="list-style-type: none"> <li>1. Luftfilter sind verstopft</li> </ol>	<ol style="list-style-type: none"> <li>1. Reinigen Sie die Filter oder tauschen diese aus</li> </ol>
C. Turbine ohne Strom	<ol style="list-style-type: none"> <li>1. Kein Strom am Netzanschluss</li> <li>2. Der Trennschalter wurde ausgelöst.</li> <li>3. Abgenutzte Turbinenbürsten</li> </ol>	<ol style="list-style-type: none"> <li>1. Überprüfen Sie die Stromzufuhr</li> <li>2. Setzen Sie den Schalter zurück. Wenn das Problem weiterhin besteht, lassen Sie die Turbine in einem zugelassenen Wagner-Service-Center prüfen.</li> <li>3. Tauschen Sie die Bürsten bei einem autorisierten Service Center aus</li> </ol>
D. Übermäßiger Funkendurchschlag/ Funkenbildung in der Turbine	<ol style="list-style-type: none"> <li>1. Abgenutzte Turbinenbürsten</li> <li>2. Beschädigter Kommutator</li> </ol>	<ol style="list-style-type: none"> <li>1. Lassen Sie die Bürsten von einem autorisierten Wagner Service Center austauschen</li> <li>2. Tauschen Sie die Turbine aus (kontaktieren Sie hierfür einen Wagner Service-Techniker)</li> </ol>



Der Turbinenmotor kann beschädigt werden, wenn dieser nicht ordnungsgemäß gewartet wird. Lassen Sie die Bürsten (P/N 0276878) alle 400 Betriebsstunden von einem autorisierten Service Center auf Verschleiß prüfen. Reinigen Sie die Filter regelmäßig. Verstopfte Filter können zu starker Hitzeentwicklung führen und mögliche Schäden am Gerät verursachen. Weitere Informationen zur Fehlerbehebung entnehmen Sie dem Handbuch, das mit Ihrer Spritzpistole geliefert wurde.

### 10.1 SERVICE

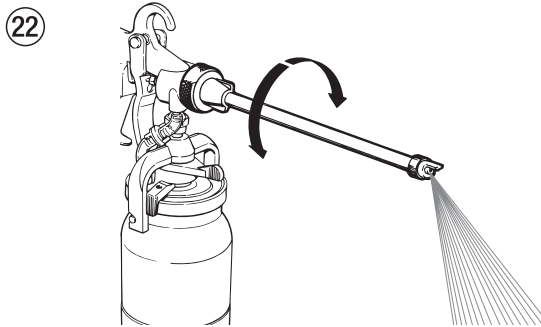
Sollte Ihr Spritzsystem während der Gewährleistungsfrist repariert werden müssen, legen Sie Ihren Kaufnachweis bei dem Händler vor, wo Sie es gekauft haben. Sie haben die Möglichkeit zu wählen, ob das Gerät für Sie repariert oder ausgetauscht werden soll. Aufgrund unserer Verpflichtung, die Qualität stetig zu verbessern, behalten wir uns das Recht auf eventuell erforderliche Konstruktions- oder Designänderungen vor.

## 11 SONDERZUBEHÖR

### RN 30 VERLÄNGERUNGSDÜSE (ABB. 22)

für Heizkörperbeschichtung, Länge 30 cm.

Bestell-Nr. **0261 020**



### WSL 50 SPRITZLANZE (ABB. 23)

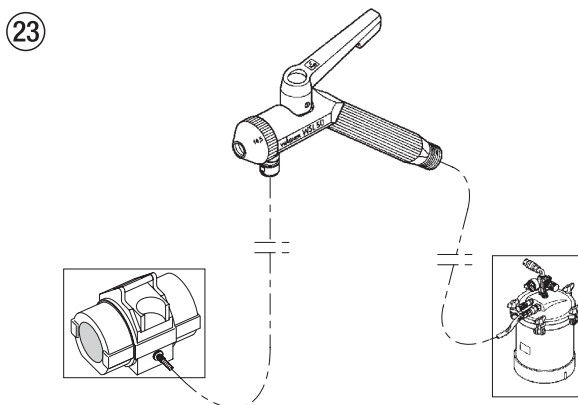
#### Einsatzgebiete

Renovier- und Reparaturbereich

Decken- und Wandgestaltung

Materialzufuhr über handelsüblichen Drucktank.

Bestell-Nr. **0261 023**

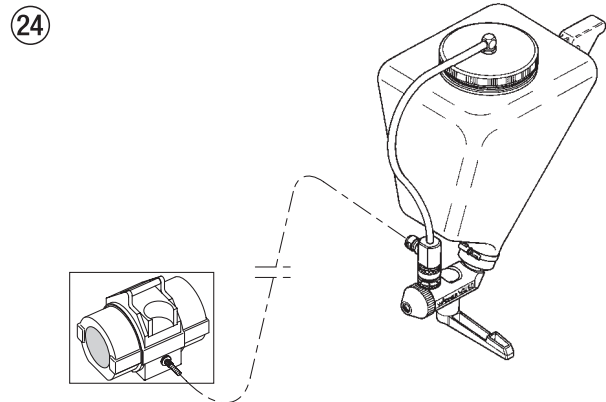


### WSL 60 SPRITZLANZE (ABB. 24)

#### Verarbeitbare Beschichtungstoffe

Beschichtungstoffe, die aufgrund ihrer Beschaffenheit nicht mit einer Farbspritzpistole verarbeitbar sind z.B.: Flüssige Rauhfaser, Mehrfarbeneffekt-Beschichtung, Zierputze, Struktur- und Spritzspachtelmassen usw.

Bestell-Nr. **0261 024**

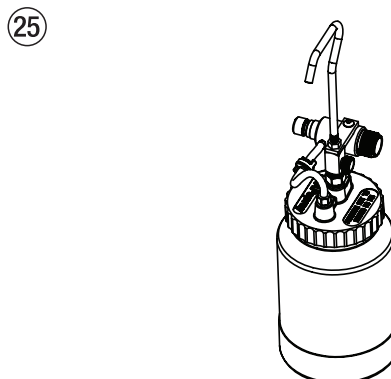


### POWER CART (OHNE ABBILDUNG)

Bestell-Nr. **0524 001**

### 1,9 L REMOTE-DRUCKTANK (ABB. 25)

Bestell-Nr. **0524 230**



**3 + 2 JAHRE GARANTIE AUF DIESES WAGNER HANDWERKER PRODUKT**

(Stand 03.03.2022)

WAGNER gibt ausschließlich dem gewerblichen Käufer, der das Produkt im autorisierten Fachhandel erworben hat (im Folgenden „Kunde“ genannt), eine neben den gesetzlichen Gewährleistungsregelungen bestehende Garantie für die im Internet unter <https://go.wagner-group.com/3plus2-info> aufgeführten Produkte, sofern nicht ein Garantiausschluss vorliegt.

Die Garantiezeit für WAGNER Produkte (Geräte) im Handwerker Bereich beträgt 36 Monate und beginnt mit dem Kaufdatum des Erstkaufs. Der Garantiezeitraum kann um weitere 24 Monate verlängert werden, wenn das Produkt innerhalb von 28 Tagen nach dem Kauf im Internet unter <https://go.wagner-group.com/3plus2> registriert wird.

Bei kommerzieller Vermietung, industriellem Gebrauch (z.B. Einsatz im Schichtbetrieb) oder gleichzusetzender Beanspruchung beträgt die Garantiezeit 12 Monate aufgrund der deutlich höheren Belastung. Hier behalten wir uns vor, im Einzelfall eine Prüfung vorzunehmen und gegebenenfalls die Garantie abzulehnen.

Zeigen sich innerhalb der Garantiezeit Fehler in Material, Verarbeitung oder Leistung des Geräts, so sind Garantieansprüche unverzüglich, spätestens jedoch innerhalb einer Frist von 2 Wochen nach Entdeckung des Fehlers geltend zu machen.

Die detaillierten Garantiebestimmungen erhalten Sie auf Nachfrage bei unseren autorisierten WAGNER Partnern (siehe Webseite oder Betriebsanleitung) oder in Textform auf unserer Webseite:

<https://go.wagner-group.com/pf-warranty-conditions>



<b>1</b>	<b>PRESCRIPTIONS DE SÉCURITÉ</b>	<b>31</b>
1.1	Explication des symboles utilisés	31
1.2	Dangers pour la sécurité	31
1.3	Sécurité en électricité	32
<b>2</b>	<b>INTRODUCTION</b>	<b>33</b>
2.1	Caractéristiques techniques	33
<b>3</b>	<b>UTILISATION D'UN SYSTÈME DE PULVÉRISATION À DÉBIT ÉLEVÉ ET À BASSE PRESSION</b>	<b>34</b>
3.1	Configuration	34
3.2	Système de filtration double	34
3.3	Système d'avertissement du filtre	34
<b>4</b>	<b>MISE EN SERVICE</b>	<b>35</b>
4.1	Réglage du pistolet FC9900 Plus	35
<b>5</b>	<b>TECHNIQUE DE PROJECTION</b>	<b>37</b>
5.1	Interruptions de travail	37
<b>6</b>	<b>MISE HORS SERVICE ET NETTOYAGE DU MATÉRIEL</b>	<b>38</b>
<b>7</b>	<b>MAINTENANCE</b>	<b>39</b>
7.1	Nettoyage/remplacement des filtres	39
7.2	Nettoyage des tuyaux à air	39
<b>8</b>	<b>CHOIX D'UN JEU DE GICLEUR</b>	<b>40</b>
8.1	Changement d'un jeu de gicleur	40
<b>9</b>	<b>TABLEAU DE DILUTION DU MATÉRIAU/ JEU DE GICLEUR</b>	<b>41</b>
<b>10</b>	<b>DÉPANNAGE</b>	<b>41</b>
10.1	Entretien	41
<b>11</b>	<b>ACCESSOIRES SPÉCIAUX</b>	<b>42</b>

<b>GARANTIE 3 + 2 SUR CE PRODUIT DE WAGNER</b>	<b>43</b>
<b>LISTE DE PIÈCES DE RECHANGE</b>	<b>86</b>
Liste des pièces de rechange pour l'ensemble principal	86
Liste des pièces de rechange pour l'ensemble turbine	88
Liste des pièces de rechange pour l'ensemble boîtier supérieur	90
Liste des pièces de rechange pour l'ensemble boîtier inférieur	92
<b>DIAGRAMME DU CÂBLAGE</b>	<b>94/95</b>
<b>CE DÉCLARATION DE CONFORMITÉ</b>	<b>96/97</b>
<b>RÉSEAU DE SERVICE WAGNER</b>	<b>99/100</b>

# 1 PRESCRIPTIONS DE SÉCURITÉ

## 1.1 EXPLICATION DES SYMBOLES UTILISÉS

Veillez lire et être sûr de comprendre toutes les informations contenues dans ce manuel avant d'utiliser l'appareil. Lorsque vous pénétrez dans une zone qui contient les symboles suivants, soyez particulièrement vigilant et vérifiez que les systèmes de sécurité sont bien installés.



→ Ce symbole indique un risque potentiel pouvant entraîner des blessures graves ou même mortelles. Vous trouverez ci-après d'importantes consignes de sécurité.



Attention

→ Ce symbole indique un risque potentiel pour vous ou pour l'appareil. D'importantes informations sur la manière d'éviter tout dommage de l'équipement ou d'éviter des blessures légères sont indiquées ci-après.



→ Risque de brûlure



→ Danger d'incendie



→ Risque d'explosion



→ Vapeurs toxiques et/ou inflammables. Danger d'intoxication et de brûlure



→ Munissez-vous d'une protection auditive



→ Portez des protections oculaires



→ Les notes contiennent des informations qui doivent être consciencieusement respectées.

## 1.2 DANGERS POUR LA SÉCURITÉ



### RISQUE : RISQUE D'EXPLOSION DÙ À DES MATÉRIAUX INCOMPATIBLES –

entraîne des blessures graves ou des dégâts matériels.

#### PRÉVENTION :

- N'utilisez pas de matériaux contenant de l'eau de javel ou du chlore.
- N'utilisez pas de solvants de halons tels que le chlorure de méthylène ou le trichloéthane 1,1,1. Ils ne sont pas compatibles avec l'aluminium et peuvent provoquer une explosion. Si vous n'êtes pas sûr de la compatibilité du matériau avec l'aluminium, prenez contact avec votre fournisseur de peinture.



Une liste de matériaux utilisés dans la fabrication de l'équipement sera fournie sur demande pour valider la compatibilité avec les matériaux de revêtement qui seront utilisés.



### RISQUE : GÉNÉRALITÉS –

peut entraîner des blessures sévères ou des dégâts matériels.

#### PRÉVENTION :

- Lisez attentivement toutes les instructions et les consignes de sécurité avant de faire fonctionner l'équipement.
- Respectez toutes les réglementations locales et nationales concernant la ventilation, la prévention des incendies et le fonctionnement.
- N'utilisez que des pièces de rechange d'origine. L'utilisateur assume tous les risques s'il utilise des pièces qui ne correspondent pas aux spécifications minimales et aux dispositifs de sécurité du fabricant de la pompe.
- Avant chaque utilisation, vérifiez que les tuyaux ne présentent ni coupures, ni fuites, ni signes d'abrasion ou de renflement du revêtement. Vérifiez l'état et le mouvement des raccords. Remplacez immédiatement les tuyaux s'ils sont en mauvais état. Ne réparez jamais un boyau. Remplacez-le par un boyau identique.
- NE dirigez JAMAIS le pistolet vers une partie du corps, quelle qu'elle soit.
- Portez des vêtements pour protéger la peau et les cheveux contre la peinture.
- Munissez-vous d'une protection auditive.
- Ne pulvérisez pas à l'extérieur lors d'un temps venteux.

- Ne laissez jamais cet équipement sans surveillance. Tenez loin des enfants ou de toute personne ne possédant pas assez de connaissances de l'exploitation d'équipement à débit élevé et à basse pression.



### RISQUE : VAPEURS DANGEREUSES –

Les peintures, solvants, insecticides et autres matériaux peuvent être nocifs en cas d'inhalation ou de contact avec la peau. Les vapeurs peuvent entraîner de sérieuses nausées, des syncopes ou des empoisonnements.

#### PREVENTION:

- Utilisez un système de respiration ou un masque s'il existe un risque d'inhalation de vapeurs. Lisez attentivement toutes les instructions fournies avec le masque pour vous assurer qu'il fournit bien la protection nécessaire.
- Portez des protections oculaires.
- Portez des vêtements de protection selon les indications du fabricant de l'enduit.



### RISQUE: BLESSURE PAR BRÛLURE DE LA PEAU

Les parties chauffées peuvent causer de graves blessures par brûlure de la peau.

#### PRÉVENTION :

- Les raccords à dégagement rapide sur le boyau et le pistolet de pulvérisation deviennent chauds au cours de l'utilisation. Évitez le contact entre la peau et les raccords à dégagement rapide lorsqu'ils sont chauds. Laissez le temps au refroidissement des raccords à dégagement rapide avant de débrancher le pistolet de pulvérisation du boyau.



### RISQUE : EXPLOSION ET INCENDIE

Les émanations de solvants et de peintures peuvent exploser ou s'enflammer. Elles peuvent entraîner des blessures graves et/ou des dégâts matériels.



#### PRÉVENTION :

- Prévoyez un système puissant d'échappement et d'aération dans la zone de pulvérisation afin d'éviter l'accumulation de vapeurs inflammables.
- Évitez toutes sources d'ignition telles que les étincelles d'électricité statique, les appareils électriques, les flammes, les témoins lumineux, les objets chauds et les étincelles lors du branchement et débranchement de fils électriques ou lors du fonctionnement d'interrupteurs.

- Le plastique peut entraîner la formation d'étincelles statiques. N'installez jamais de parois en plastique pour fermer la zone de vaporisation. N'utilisez pas de chiffon en plastique lorsque vous pulvériser des matériaux inflammables.
- Ne fumez pas dans la zone de pulvérisation.
- Prévoyez un extincteur en bon état de marche dans la zone.
- Le fil électrique doit être relié à un circuit relié à la masse (Modèles électriques uniquement).
- Suivez attentivement les avertissements et consignes du fabricant du matériau et du solvant. Pour des raisons de sécurité, veuillez lire la fiche signalétique et les renseignements techniques du fournisseur du matériau de revêtement.
- Soyez extrêmement prudent lors de l'utilisation de matériaux avec un point d'éclair au dessous de 21 °C. Le point d'éclair consiste en la température à laquelle un fluide peut produire suffisamment de vapeurs pour s'enflammer.
- L'objet à peindre doit être mis à la terre.
- Avant tous travaux sur l'appareil, retirer la fiche de contact de la prise.

## 1.3 SÉCURITÉ EN ÉLECTRICITÉ

Les modèles électriques doivent être reliés à la terre. En cas de court-circuit électrique, la mise à la terre réduit les risques de choc électrique en fournissant un fil d'échappement pour le courant électrique. Ce produit est équipé d'un câble avec un fil de mise à la terre et une fiche de mise à la terre adaptée. Branchement au réseau seulement par un point d'alimentation spécial, par exemple par un disjoncteur à courant de défaut de INF < 30 mA.

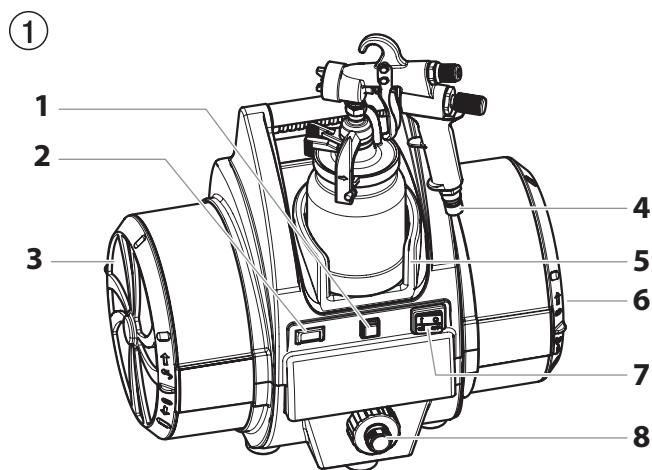
	<p>DANGER — Les travaux ou réparations sur l'équipement électrique doivent être confiés uniquement à un électricien qualifié. Nous déclinons toute responsabilité en cas d'installation inappropriée. Arrêter l'appareil. Avant toutes réparations, tirer la fiche de la prise de courant.</p>
	<p>Danger de court-circuit par la pénétration d'eau dans l'équipement électrique. Ne jamais nettoyer le matériel avec un jet d'eau ou de vapeur sous haute pression.</p>
	<p>Mise en garde – Le cordon d'alimentation de cet équipement agit en tant que connecteur de circuit d'alimentation. Le cordon d'alimentation doit être placé près d'une prise de courant libre et facilement accessible.</p>



## 2 INTRODUCTION

Ce système de pulvérisation à débit élevé et à basse pression est conçu pour l'application de couches sur des surfaces sur lesquelles il est possible de pulvériser plus rapidement que d'appliquer au pinceau ou au rouleau et qui sont trop petites pour les pulvérisateurs traditionnels sans air. Les composants du système incluent un commutateur, un cordon d'alimentation, un témoin de filtre, un interrupteur de disjoncteur, un système de filtration double, un porte-gobelet, un tuyau à air et une sortie d'air.

La turbine est également munie d'une boîte à outils. Cette boîte à outils se trouve du côté inverse de la turbine et elle peut être utilisée pour ranger les projecteurs ou toute autre petite pièce de rechange.



1. Interrupteur de disjoncteur
2. Lampe témoin du filtre
3. Filtre
4. Entrée d'air
5. Porte-gobelet
6. Filtre (dans l'extrémité du boîtier)
7. Interrupteur d'alimentation
8. Sortie d'air

\* Le tuyau à air n'est pas illustré.

Avec ce système de pulvérisation à débit élevé et à basse pression, vous pouvez obtenir le fini professionnel de la plus haute qualité avec peu ou pas de temps de préparation ou de configuration. Veuillez examiner toute l'information qui figure dans le présent guide avant d'exploiter le système.

### 2.1 CARACTÉRISTIQUES TECHNIQUES

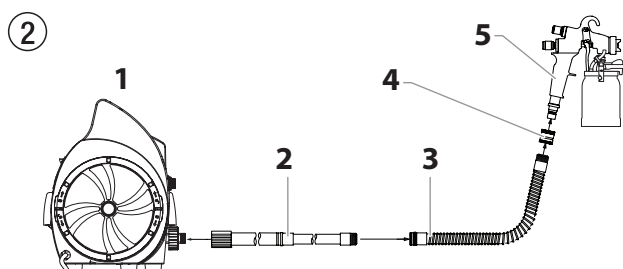
Tension	220V-240V~, 50/60 Hz
Puissance absorbée P1	1836 W
Courant maximal absorbé	9,0A
Pression dynam. air maxi	0,72 bar
Nombre de tours	21.000 1/min
Poids de la turbine	15 kg
Câble d'alimentation	3 m
Capacité du godet	1 litre
Longueur du tuyau principal	9,1 m
Longueur du tuyau flexible	1,5 m
Jeux de buse (standard)	No. 4 (1,8 mm)
Température maximale permmissible de l'application	43°C
Débit d'application type	0,35 l/min
Niveau sonore maxi	
Turbine	75 dB (A) *
Pistolet	76 dB (A) **

\* Situation de mesure: Distance latérale au matériel 1 m, à 1,60 m du sol, sol réverbérant.

\*\* Situation de mesure: Distance 2,5 m du matériel et 1,60 m du sol.

### 3 UTILISATION D'UN SYSTÈME DE PULVÉRISATION À DÉBIT ÉLEVÉ ET À BASSE PRESSION

<b>i</b>	Reportez-vous aux renseignements suivants pour comprendre et exploiter votre système de pulvérisation à débit élevé et à basse pression.
<b>i</b>	Votre système pourrait inclure un court tuyau à air (« tuyau flexible »). Le court tuyau devrait être relié au plus long tuyau ou à un système de pulvérisation à distance (vendu séparément) et PAS directement à la turbine. Consultez les instructions complètes dans le manuel d'instruction du pistolet de pulvérisation.



1. Turbine
2. Tuyau à air
3. Tuyau flexible
4. Accouplement
5. Pistolet de pulvérisation

	Ne fixez pas le court tuyau flexible directement à la turbine, étant donné que cela endommagera le tuyau.
--	---

#### 3.1 CONFIGURATION

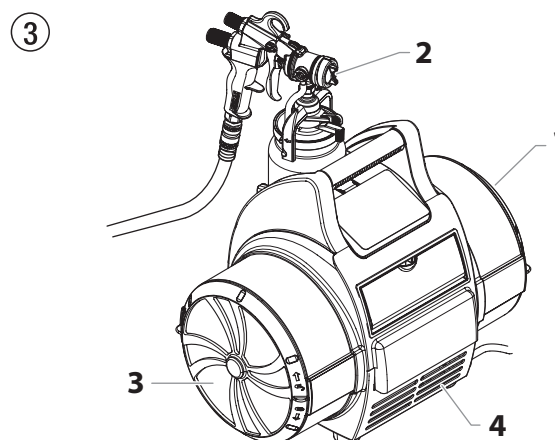
<b>i</b>	Utilisez la procédure suivante pour configurer votre système de pulvérisation à débit élevé et à basse pression pour son exploitation.
	Éloignez la turbine le plus possible de la surface de pulvérisation pour la protéger contre l'explosion ou le feu pouvant être causé par des pièces électriques produisant des étincelles.

1. Préparez votre pistolet pulvérisateur pour son utilisation. Consultez votre guide du pistolet pulvérisateur pour la préparation du matériel, la configuration et l'information sur la pulvérisation.

2. Attachez le boyau d'air à la sortie d'air sur la turbine.
3. Attachez le boyau d'air à l'entrée d'air sur votre pistolet de pulvérisation.
4. Branchez le cordon d'alimentation de la turbine dans une prise à mise à la terre.
5. Allumez la turbine et commencez à pulvériser.

#### 3.2 SYSTÈME DE FILTRATION DOUBLE

La turbine a deux différents filtres à air — l'un pour l'atomisation de l'air et l'autre pour le refroidissement de l'air. Le filtre à air à atomisation (1) est un filtre à deux étages à maille fine conçu pour piéger les particules qui peuvent endommager votre fini. L'air d'atomisation est libéré par la buse du pistolet pulvérisateur où il atomise le matériau de revêtement (2). Le filtre à air de refroidissement (3) est un filtre à grosses mailles conçu pour permettre le débit d'air approprié dans la turbine aux fins de refroidissement. L'air de refroidissement s'échappe par la bouche d'évacuation d'air de refroidissement en avant de la turbine (4).



#### 3.3 SYSTÈME D'AVERTISSEMENT DU FILTRE

Le système d'avertissement du filtre de votre turbine consiste en une lampe témoin de filtre rouge sur le devant du panneau de commande et en un interrupteur de débit d'air à l'intérieur de la turbine. Lorsque l'interrupteur de débit d'air ne détecte pas la quantité d'air appropriée passant par la turbine, la lampe témoin du filtre s'allumera pour indiquer qu'il est temps de nettoyer ou de changer les filtres.

	Le système d'avertissement du filtre n'éteint pas la turbine.
	Nettoyez les filtres régulièrement. Les filtres bouchés peuvent causer une chaleur excessive et endommager la turbine.

## 4 MISE EN SERVICE

	Avant le branchement au secteur, veiller à ce que la tension secteur corresponde à la tension de service indiquée sur la plaque signalétique. Le raccordement doit se faire par une prise de courant de sécurité reliée à la terre de manière conforme.
--	---

1. Visser l'extrémité du tuyau d'air (ressort anti-flambage) sur la turbine. Brancher le tuyau d'air sur le pistolet.
2. Ouvrir le levier de fixation au-dessus du godet, enlever le godet.
3. Remplir le godet avec le produit de revêtement.
4. Contrôler la bonne position et le propreté du joint de godet.
5. Emboîter le godet sur le pistolet et verrouiller avec le levier de fixation.
6. Démarrer la turbine.
7. Pointer le pistolet sur l'objet à peindre.
8. Définir les réglages de la forme et largeur du jet, du débit de produit, et de l'air ainsi que du tube de montée voir fig. 4 – 10 et description pages 35/36.
9. Tirer la gâchette du pistolet.

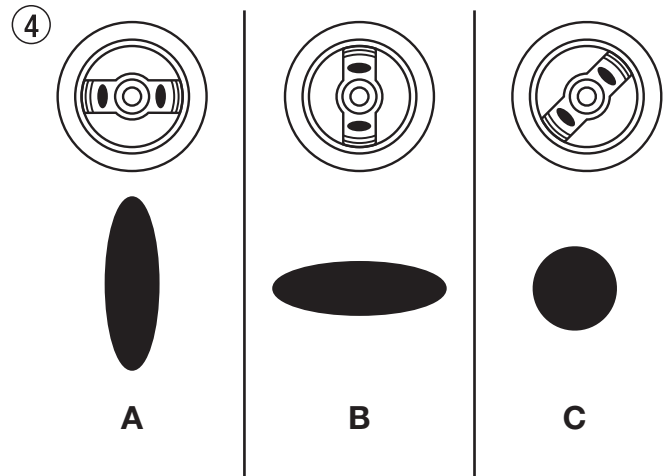
### 4.1 RÉGLAGE DU PISTOLET FC9000 PLUS

#### CHOIX DE LA FORME DU JET (FIG. 4)

**A = jet plat vertical** pour surfaces horizontales

**B = jet plat horizontal** pour surfaces verticales

**C = jet rond** pour angles et arêtes ainsi que pour les endroits difficilement accessibles

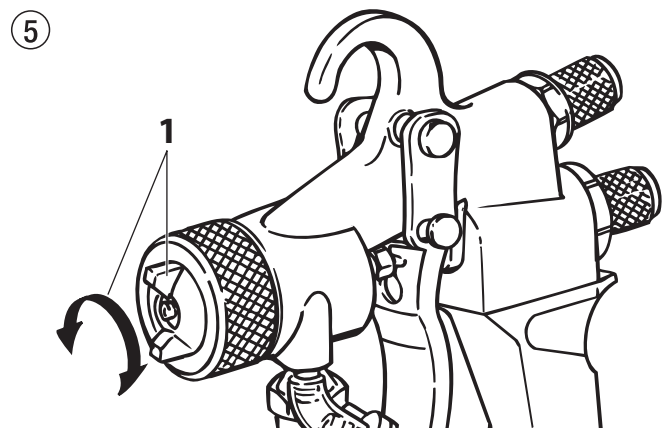


#### RÉGLAGE DE LA FORME DÉSIRÉE DU JET (FIG. 5)

Tourner la buse d'air (1) à la position désirée.



Ne jamais tirer la gâchette pendant le réglage de la buse d'air.



**RÉGLAGE DE LA LARGEUR DU JET ( FIG. 6 )****Bague de réglage**

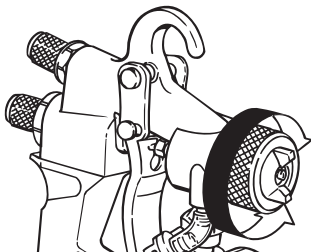
tourner à droite = jet large

tourner à gauche = jet plus étroit

**i**

La bague de réglage ne sert pas à la fixation de la buse d'air!

6

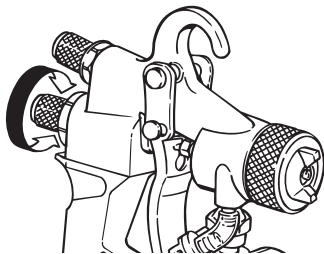
**RÉGLAGE DU DÉBIT DE PRODUIT ( FIG. 7 )**

Définir le débit de produit en tournant le bouton de réglage.

tourner à gauche = plus de débit

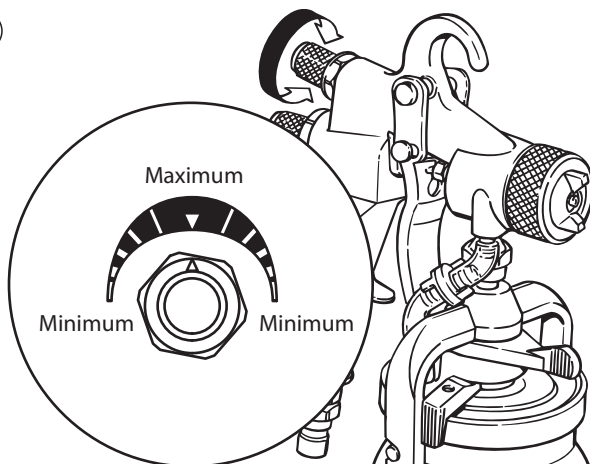
tourner à droite = moins de débit

7

**RÉGLAGE DU DÉBIT D'AIR ( FIG. 8 )**

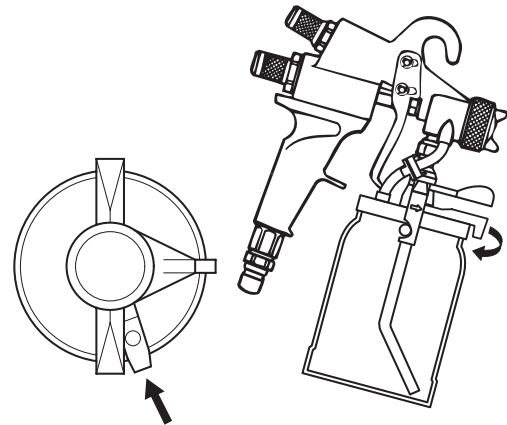
Le réglage correct du débit d'air est décisif pour la pulvérisation et la formation de brouillard.

8

**RÉGLAGE DU TUBE DE MONTÉE****TRAVAIL SUR OBJETS EN POSITION HORIZONTALE ( FIG. 9 )**

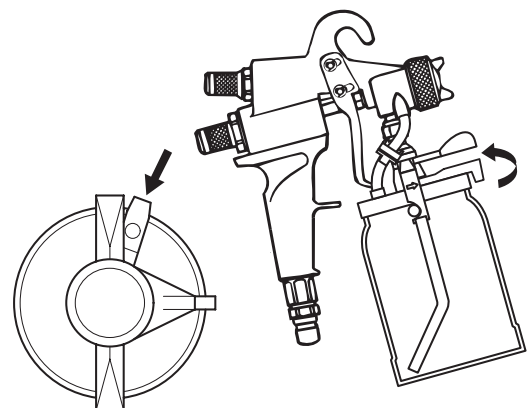
Tourner le levier en sens horaire en butée.

9

**TRAVAIL AU-DESSUS DE LA TÊTE ( FIG. 10 )**

Tourner le levier en sens antihoraire en butée.

10



## 5 TECHNIQUE DE PROJECTION

Tenir le pistolet verticalement à une distance régulière comprise entre 3 – 20 cm par rapport à l'objet.

Déplacer le pistolet régulièrement en sens transversal ou vertical. Le déplacement régulier du pistolet est garant d'une bonne qualité de surface. Si la vitesse de travail est correcte la surface traitée sera sans coulures.

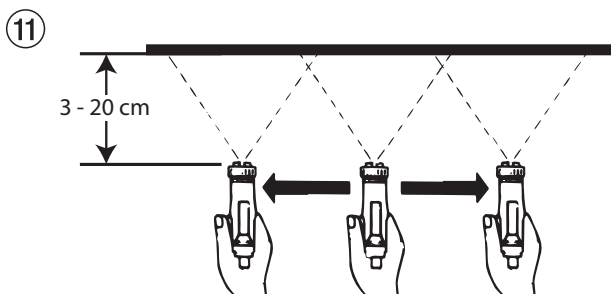
Commencer le travail toujours à l'extérieur de l'objet et éviter des interruptions si vous êtes sur l'objet.

**i**

Avec le réglage à jet rond la distance par rapport à l'objet peut être augmentée en fonction de l'objet.

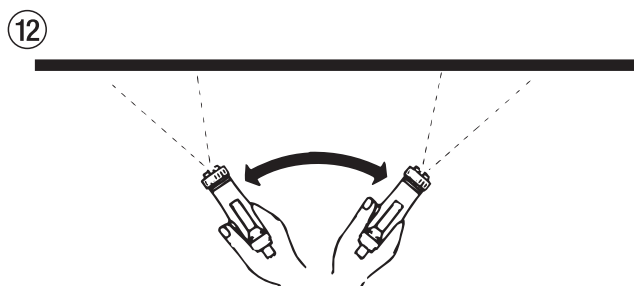
- Si la formation de brouillard est trop importante, chercher à améliorer le réglage du débit de produit ainsi que la distance à l'objet.

### CORRECT



### MAUVAIS

Importante formation de brouillard qualité de surface irrégulière

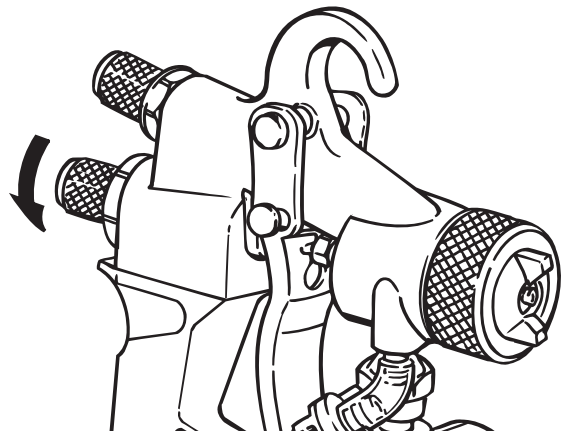


### 5.1 INTERRUPTIONS DE TRAVAIL

1. Tourner le bouton de réglage du débit de produit en butée à droite (fig. 13).

Ainsi le pistolet est verrouillé et assuré contre toute action involontaire.

⑬



2. Arrêter la turbine.

## 6 MISE HORS SERVICE ET NETTOYAGE DU MATÉRIEL

1. Arrêter la turbine.
2. Tenir le pistolet au-dessus du bidon de peinture. Tirer la gâchette pour décharger la pression contenue dans le godet.
3. Ouvrir le levier de fermeture du godet et enlever le godet.
4. Vider le reste de peinture du godet dans le bidon de peinture.
5. Remplir le godet de solvant (ou d'eau) et le visser sur le pistolet.



Utiliser exclusivement un solvant avec un point éclair égal ou supérieur à 21° C.

6. Bien secouer le pistolet.
7. Mettre la turbine en marche et projeter le solvant (ou l'eau) dans un récipient ouvert.



Ne pas projeter dans un récipient à petite ouverture (bonde)! Voir les prescriptions de sécurité.

8. Répéter la procédure ci-dessus jusqu'à ce que du solvant (ou de l'eau) propre sort à la buse. Vider ensuite le godet complètement.



Ne laisser pas le godet monté rempli de solvant, une pression pourrait se former dans le godet.

Veiller à la propreté et au bon état du joint de godet.

9. Arrêter la turbine.
10. Nettoyer l'extérieur du pistolet et du godet à l'aide d'un chiffon trempé dans le solvant (ou dans l'eau).



Ne pas laisser le pistolet dans le solvant pendant une période prolongée! Le fonctionnement des joints et de tubes d'air au clapet anti-retour pourrait être compromis par un gonflement.

11. Dévisser la bague de réglage, sortir la buse d'air et le plateau à ressort. Dévisser la buse. Nettoyer la buse d'air, la buse et le pointeau à l'aide d'un pinceau avec du solvant (de l'eau).



Ne jamais nettoyer les perçages des buses de produit et d'air avec un objet métallique pointu.

12. Huiler les points marqués légèrement avec une huile exempte de silicone (fig. 12).

12



13. Si le pistolet n'est pas utilisé pendant un certain temps, appliquer, après le nettoyage, une huile exempte de silicone pour le conserver.

## 7 MAINTENANCE



Utilisez les procédures suivantes pour garder votre système de pulvérisation à débit élevé et à basse pression en bon état de fonctionnement.

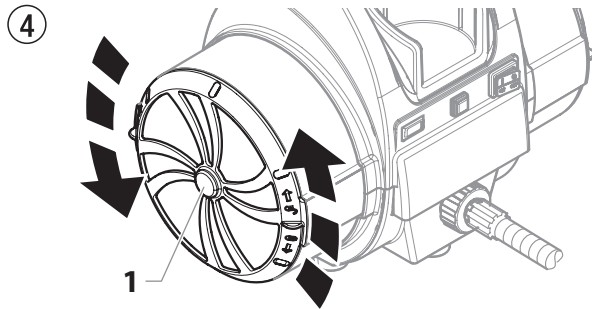
### 7.1 NETTOYAGE/REPLACEMENT DES FILTRES



Attention

Assurez-vous de débrancher la turbine avant de changer les filtres.

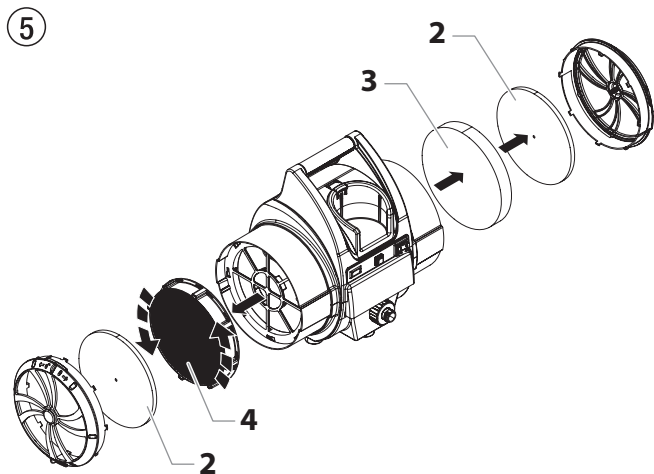
1. Enlevez le couvercle de filtre (1) de chaque côté de la turbine en les tournant dans le sens contraire des aiguilles d'une montre.



2. Enlevez chaque ensemble de filtres (préfiltre [2] et filtre [3]) du boîtier du filtre de chaque côté de la turbine.



Le filtre plissé blanc (4) est enlevé de la turbine de la même manière que le couvercle du filtre. Tournez-le dans le sens contraire des aiguilles d'une montre pour le déverrouiller et l'enlever.



N'utilisez pas des solvants hautement inflammables tels que le diluant à peinture-laque pour nettoyer les filtres.



Attention

Ne trempez pas le filtre de papier plissé dans des solvants. Tapez doucement sur le filtre ou utilisez de l'air comprimé dirigé vers l'intérieur (le côté propre).

3. Nettoyez les filtres. Tapez sur les filtres afin de déloger les contaminants ou utilisez de l'air sous pression pour les déloger. Pour les matériaux qui ne sortent pas facilement des filtres, trempez les filtres dans de l'eau savonneuse ou dans des essences minérales. Laissez les filtres sécher complètement avant de les placer à nouveau dans la turbine.
4. Insérez chaque filtre dans sa boîte de filtre correspondante.



Veillez à ce que le filtre plissé blanc soit bien adapté aux rayons du carter de filtre. Tournez-le dans le sens des aiguilles d'une montre pour le fixer en place.

5. Remplacez les couvercles de filtre de chaque côté de la turbine en les tournant dans le sens des aiguilles d'une montre.



Après plusieurs nettoyages, il peut s'avérer nécessaire de remplacer les filtres. Consultez la liste de pièces près de la fin du présent guide pour connaître le numéro de pièce de la trousse de remplacement de filtre.

### 7.2 NETTOYAGE DES TUYAUX À AIR

1. Essuyez périodiquement la surface extérieure du tuyau à air à l'aide d'un chiffon humide pour la nettoyer.



Attention

NE PAS immerger le tuyau à air dans l'eau ou un produit chimique et ne pas le rincer.

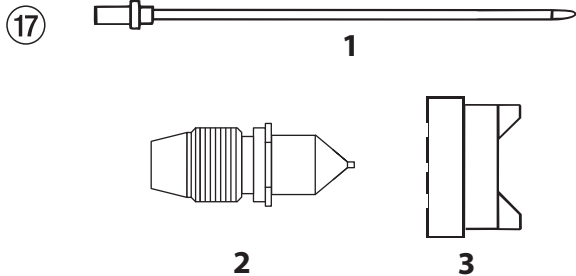
NE PAS utiliser de méthyléthylcétone (MEK), de naphta, d'essences minérales, de diluant pour peinture, de xylol ou de toluène pour nettoyer le tuyau à air. L'exposition à ces substances au fil du temps pourrait endommager le tuyau.

Rangez l'appareil à l'intérieur avec le cordon enroulé autour de la poignée.

## 8 CHOIX D'UN JEU DE GICLEUR

**i**

Votre pistolet pulvérisateur à débit élevé et à basse pression devrait être muni du bon jeu de gicleur pour le type de travail que vous effectuerez. Un jeu de gicleur compte un ensemble d'aiguille (fig. 17, article 1), une buse à peinture (2) et une buse à air (3).

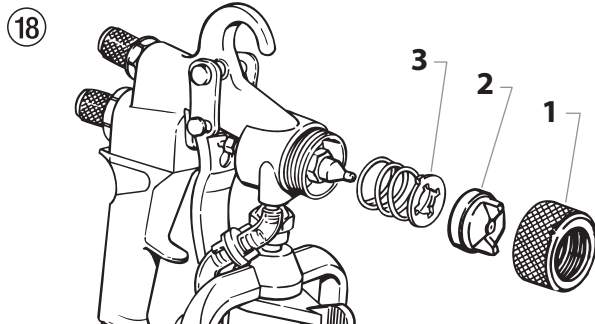


Vous devriez choisir un jeu de gicleur en fonction de deux choses : le type de peinture à pulvériser et la finition désirée.

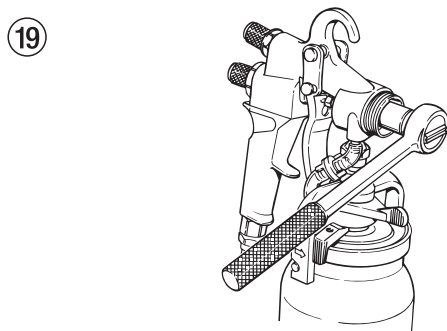
Le tableau sur la page suivante devrait vous aider à faire le bon choix.

### 8.1 CHANGEMENT D'UN JEU DE GICLEUR

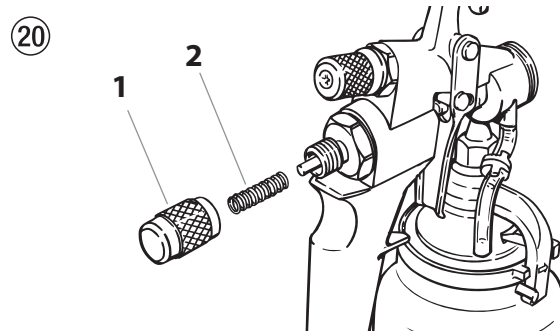
1. Retirez l'anneau de la buse à air (fig. 18, article 1), la buse à air (2) et la coupelle de ressort (3);



2. Retirez la buse à peinture;



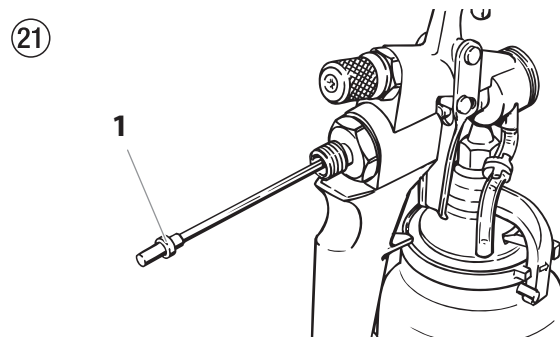
3. Retirez le bouchon de réglage du débit de fluide (fig. 20, article 1) et le ressort (2);



4. Retirez l'aiguille (fig. 21, article 1);



Si l'aiguille ne sort pas facilement, desserrer l'écrou de presse-garniture afin de prévenir des dommages à l'aiguille ou à la garniture.



5. Installer le nouveau jeu de gicleur dans l'ordre inverse.



## 9 TABLEAU DE DILUTION DU MATÉRIAU/JEU DE GICLEUR

Avant de pulvériser, le matériau utilisé doit être dilué au moyen d'un solvant approprié et le bon jeu de gicleur doit être installé. Il est toujours préférable de suivre les recommandations des fabricants quant au matériau et aux procédures de dilution.

Il existe deux méthodes simples de mesurer la bonne épaisseur d'un matériau :

1. Plonger un bâton de peinture dans le matériau et le retirer, observant attentivement pendant que le matériau coule. Lorsque le matériau commence à former des gouttelettes, les gouttes devraient tomber à une fréquence d'environ 1 seconde;
2. Utiliser un godet de viscosimètre (no de pièce 0153165). Plonger le godet dans le matériau et le retirer. Utiliser une montre ou une cloche pour chronométrer combien de temps le matériau coule du godet dans un flot continu. Une fois que le flot continu s'arrête, arrêter de chronométrer et consulter le tableau ci-dessus. Ajouter le solvant approprié et continuer l'essai jusqu'à ce que la bonne

MATÉRIAU	VISCOSITÉ DIN-S (GODET DIN 4 MM)	JEU DE GICLEUR
Peintures à base de solvant	15 - 45	3 - 4
Peintures diluées à l'eau	Selon prescriptions du fabricant	4 - 5
Produits de protection du bois (lasures, teintures)	non dilués	2 - 3
Peintures multicolore	Selon prescriptions du fabricant	6 - 7
Laques à structure ou à effets	Selon prescriptions du fabricant	5 - 6

## 10 DÉPANNAGE

Défaut	Cause possible	Remède
A. Débit d'air limité ou aucun débit d'air	<ol style="list-style-type: none"> <li>1. Bouton d'ajustement du débit d'air sur le pistolet pulvérisateur éteint</li> <li>2. Filtres à air bouchés</li> </ol>	<ol style="list-style-type: none"> <li>1. Ajustez le bouton de réglage du débit d'air</li> <li>2. Nettoyez ou remplacez les filtres</li> </ol>
B. Lampe témoin du filtre allumée	<ol style="list-style-type: none"> <li>1. Filtres à air bouchés</li> </ol>	<ol style="list-style-type: none"> <li>1. Nettoyez ou remplacez les filtres</li> </ol>
C. La turbine n'est pas alimentée	<ol style="list-style-type: none"> <li>1. Pas de courant au bloc d'alimentation</li> <li>2. Le disjoncteur a été déclenché.</li> <li>3. Balais de turbine usés</li> </ol>	<ol style="list-style-type: none"> <li>1. Vérifiez le bloc d'alimentation</li> <li>2. Réinitialisez le disjoncteur. Si le problème persiste, faites inspecter la turbine au centre de service autorisé Wagner.</li> <li>3. Faites remplacer les balais dans un centre de service Wagner autorisé</li> </ol>
D. Formation excessive d'étincelles dans la turbine	<ol style="list-style-type: none"> <li>1. Balais de turbine usés</li> <li>2. Collecteur endommagé</li> </ol>	<ol style="list-style-type: none"> <li>1. Faites remplacer les balais dans un centre de service Wagner autorisé</li> <li>2. Remplacez la turbine (communiquer avec un technicien de service Wagner)</li> </ol>



Le moteur de la turbine peut être endommagé s'il n'est pas entretenu de façon appropriée. Faites vérifier les balais (trousse P/N 0276878) pour l'usure par un centre de service autorisé toutes les 400 heures.

Nettoyez les filtres de façon régulière. Des filtres bouchés peuvent causer une chaleur excessive et endommager l'unité.

Pour obtenir des renseignements supplémentaires sur le dépannage, consulter le guide qui accompagne votre pistolet.

### 10.1 ENTRETIEN

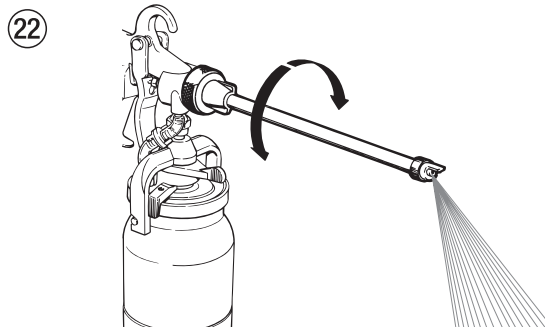
Si votre système de pulvérisation a besoin d'entretien au cours de la période de garantie, retournez votre unité et la preuve d'achat au distributeur où l'unité a été achetée. Nous pouvons choisir de réparer ou de remplacer l'unité. Dans le cadre d'un engagement continu visant à améliorer la qualité, nous nous réservons le droit d'apporter des modifications de composantes ou de conception au besoin.

## 11 ACCESSOIRES SPÉCIAUX

### RN 30 RALLONGE DE BUSE (FIG. 22)

pour le revêtement de radiateurs, longueur 30 cm.

Réf. No. **0261 020**



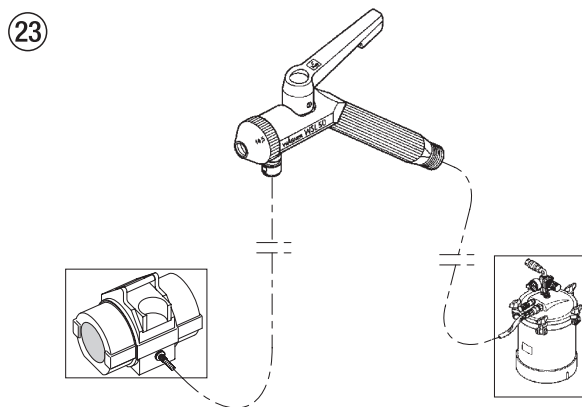
### WSL 50 LANCE DE PROJECTION (FIG. 23)

#### Domaines d'utilisation

Travaux de rénovation et de réparations Revêtement de plafonds et de murs

Alimentation par cuve sous pression .

Réf. No. **0261 023**

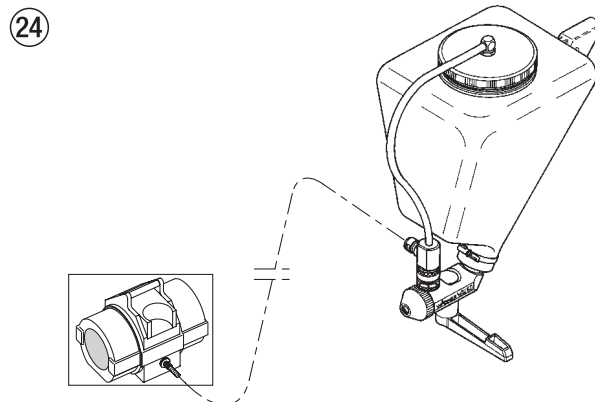


### WSL 60 LANCE DE PROJECTION (FIG. 24)

#### Produits utilisables

Produits qui en raison de leur consistance ne peuvent être appliqués au pistolet, par exemple: ingrains liquide, produits à effets multicolore, crépis de décoration, enduits à structure et à projeter, etc.

Réf. No. **0261 024**

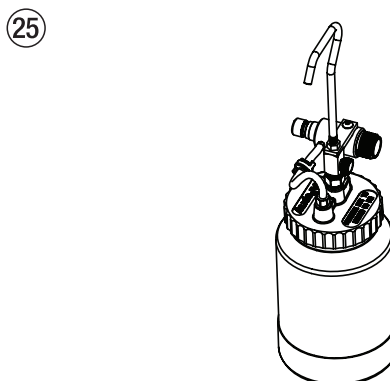


### POWER CART

Réf. No. **0524 001**

### 1,9 L POT SOUS PRESSION DE SÉPARÉ-CITERNES (FIG. 25)

Réf. No. **0524 230**



**GARANTIE 3 + 2 SUR CE PRODUIT DE WAGNER**

(Version du 03.03.2022)

WAGNER offrent exclusivement aux acheteurs professionnels qui font l'acquisition d'un produit auprès d'un revendeur agréé (ci-après « clients ») une garantie supplémentaire aux conditions de garantie légale pour les produits listés sur la page internet <https://go.wagner-group.com/3plus2-info>, dans l'absence d'une éventuelle exclusion de garantie.

La durée de garantie des produits WAGNER (appareils) pour un usage artisanal est de 36 mois et commence à partir de la date d'achat initial. La durée de garantie se prolonge de 24 mois lorsque le client enregistre son produit dans les 28 jours qui suivent son achat sur l'espace dédié de notre site : <https://go.wagner-group.com/3plus2>.

En cas de location commerciale, d'usage industriel (utilisation en roulements) ou de sollicitation équivalente, la durée de garantie est limitée à 12 mois en raison d'une utilisation nettement plus intense. Dans ce cas, nous nous réservons le droit de réaliser des contrôles et, éventuellement, de refuser une prestation de garantie.

Si des vices de fabrication, de matériau ou de performance sont constatés pendant la durée de garantie, les vices doivent être signalés dans les plus brefs délais, soit dans une limite de 2 semaines après leur constatation.

Les conditions de garantie détaillées sont disponibles sur demande auprès de nos partenaires agréés WAGNER (voir site Web ou manuel d'utilisation) ou sous forme écrite sur notre site Web :

<https://go.wagner-group.com/pf-warranty-conditions>



<b>1</b>	<b>NORME DI SICUREZZA</b>	<b>39</b>
1.1	Spiegazione dei simboli utilizzati	39
1.2	Rischi per la sicurezza	39
1.3	Sicurezza elettrica	40
<b>2</b>	<b>INTRODUZIONE</b>	<b>41</b>
2.1	Dati tecnici	41
<b>3</b>	<b>USO DEL SISTEMA A SPRUZZO HVLP</b>	<b>42</b>
3.1	Impostazione	42
3.2	Sistema filtraggio doppio	42
3.3	Sistema di avvertimento filtro	42
<b>4</b>	<b>MESSA IN SERVIZIO</b>	<b>43</b>
4.1	Regolazione dell'aerografo della vernice FC9000 Plus	43
<b>5</b>	<b>TECNICA DI SPRUZZATURA</b>	<b>45</b>
5.1	Interruzione del lavoro	45
<b>6</b>	<b>MESSA FUORI FUNZIONE E PULIZIA DELL'APPARECCHIO</b>	<b>46</b>
<b>7</b>	<b>MANUTENZIONE</b>	<b>47</b>
7.1	Pulizia/sostituzione dei filtri	47
7.2	Pulizia dei flessibili dell'aria	47
<b>8</b>	<b>SCelta DI UN SET PROIETTORE</b>	<b>48</b>
8.1	Sostituzione di un set proiettore	48
<b>9</b>	<b>RIDUZIONE MATERIALE/DIAGRAMMA SET PROIETTORE</b>	<b>49</b>
<b>10</b>	<b>ELIMINAZIONE DI ANOMALIE</b>	<b>49</b>
10.1	Assistenza	49
<b>11</b>	<b>ACCESSORI SPECIALI</b>	<b>50</b>

<b>3 ANNI + 2 DI GARANZIA SU QUESTO PRODOTTO PER IL FAI DA TE DI WAGNER</b>	<b>51</b>
---	-----------

<b>ELENCO DEI RICAMBI</b>	<b>86</b>
Elenco dei ricambi per l'assemblaggio principale	86
Elenco dei ricambi per l'assemblaggio della turbina	88
Elenco dei ricambi per l'assemblaggio del vano di alloggiamento superiore	90
Elenco dei ricambi per l'assemblaggio del vano di alloggiamento inferiore	92

<b>SCHEMA DI CABLAGGIO</b>	<b>94/95</b>
----------------------------	--------------

<b>CE DICHIARAZIONE DI CONFORMITÀ</b>	<b>96/97</b>
---------------------------------------	--------------

<b>PUNTI VENDITA ED ASSISTENZA TECHNICA</b>	<b>99/100</b>
---	---------------

# 1 NORME DI SICUREZZA

## 1.1 SPIEGAZIONE DEI SIMBOLI UTILIZZATI

Il presente manuale contiene informazioni che devono essere lette e capite prima di utilizzare l'apparecchio. Ogni volta che si trova uno dei seguenti simboli si prega di prestare molta attenzione e di rispettare le norme di sicurezza.



→ Questo simbolo indica un potenziale rischio di lesioni gravi o morte. Seguono importanti avvertenze per la sicurezza.



Attenzione

→ Questo simbolo indica un potenziale rischio per sé stessi o per l'apparecchio. Seguono importanti avvertenze per la sicurezza per evitare danni all'apparecchio e prevenire le cause di lesioni minori.



→ Pericolo di ustione



→ Pericolo di incendio



→ Pericolo di esplosione



→ Miscele velenose e/o infiammabili di vapori. Pericolo di avvelenamento e/o di ustioni



→ Indossare una protezione acustica



→ Indossare occhiali protettivi



→ Le note contengono informazioni importanti, si raccomanda di prestare particolare attenzione.

## 1.2 RISCHI PER LA SICUREZZA



### PERICOLO: PERICOLO DI ESPLOSIONE DOVUTO A MATERIALI INCOMPATIBILI

Può provocare lesioni gravi o danni alle cose.

#### PREVENZIONE:

- Non usare materiali contenenti candeggina o cloro.
- Non usare solventi contenenti idrocarburi alogenati come cloruro di metilene e 1,1,1 (tricloroetano). Essi non sono infatti compatibili con l'alluminio e potrebbero provocare un'esplosione. In caso di dubbi sulla compatibilità di un materiale con l'alluminio, contattare il fornitore della vernice.



Un elenco dei materiali usati nella costruzione di questo dispositivo sarà disponibile a richiesta per verificare la compatibilità con i materiali di rivestimento usati.



### PERICOLO: GENERALE

Può provocare lesioni gravi o danni alle cose.

#### PREVENZIONE:

- Leggere tutte le istruzioni e le avvertenze di sicurezza prima di utilizzare l'apparecchio.
- Seguire tutte le normative corrette locali, statali e nazionali relative all'areazione, alla prevenzione degli incendi ed al funzionamento.
- Usare soltanto i componenti approvati dal fabbricante. L'utente si assume tutti i rischi e le responsabilità nel caso si scelga di utilizzare pezzi che non soddisfano i requisiti minimi ed i dispositivi di sicurezza del fabbricante della pompa.
- Prima dell'uso controllare tutti i tubi per verificare la presenza di tagli, perdite, abrasioni o rigonfiamenti del rivestimento. Verificare che gli accoppiamenti non siano danneggiati o che si muovano. Sostituire immediatamente il tubo se si verifica una delle condizioni appena descritte. Non riparare mai un flessibile. Sostituirlo con uno identico di ricambio.
- MAI puntare la pistola contro nessuna parte del corpo.
- Indossare abiti adatti a proteggere pelle e capelli dalla vernice.
- Indossare una protezione acustica.
- Non spruzzare all'esterno nelle giornate ventose.

- Non lasciare mai questo dispositivo incustodito. Tenere lontano da bambini o dalle persone che non abbiamo familiarità con il dispositivo HVLP.



### PERICOLO: ESALAZIONI PERICOLOSE

Vernici, solventi, insetticidi ed altri materiali possono essere dannosi se inalati o toccati. Le esalazioni possono provocare nausea, svenimenti o avvelenamento.

#### PREVENZIONE:

- Usare una mascherina se esiste il rischio che le esalazioni vengano inalate. Leggere tutte le istruzioni fornite con la mascherina per assicurarsi che essa sia in grado di offrire la protezione necessaria.
- Indossare occhiali protettivi.
- Indossare indumenti protettivi secondo le indicazioni del fabbricante della vernice.



### PERICOLO: USTIONI ALLA PELLE

Le parti riscaldate possono provocare gravi ustioni alla pelle.

#### PREVENZIONE:

- Gli accessori di scollegamento rapido del flessibile e la pistola a spruzzo diventano caldi durante l'uso. Evitare il contatto della pelle con gli accessori di scollegamento rapido quando sono caldi. Lasciar raffreddare gli accessori di scollegamento rapido prima di scollegare la pistola a spruzzo dal flessibile.



### PERICOLO: ESPLOSIONE E INCENDIO

Le esalazioni del solvente e della vernice possono esplodere o prendere fuoco, provocando lesioni gravi o danni alle cose.



#### PREVENZIONE:

- Assicurarsi che ci siano scarichi e aria fresca in abbondanza per evitare l'accumulo di esalazioni infiammabili nell'aria dell'area di spruzzo.
- Evitare il contatto con fonti infiammabili come scintille di elettricità statica, apparecchi elettrici, fiamme, fiamme pilota, oggetti roventi e scintille provocate dalla connessione e disconnessione di fili elettrici o dagli interruttori accesi.

- La plastica può provocare scintille statiche. Non usare mai della plastica per delimitare l'area di spruzzo. Non usare indumenti impermeabili di plastica quando si spruzzano materiali infiammabili.
- Non fumare nell'area di spruzzo.
- L'estintore deve essere a disposizione e ben funzionante.
- Il filo elettrico deve essere collegato ad un circuito messo a terra (solo per le unità elettriche).
- Seguire le avvertenze e le istruzioni del costruttore per il materiale e il solvente. Acquisire familiarità con le schede di sicurezza e le informazioni tecniche del materiale di rivestimento per assicurare un uso sicuro.
- Prestare attenzione estrema quando si usano materiali con punto di infiammabilità al di sotto di 21° C. Il punto di infiammabilità è la temperatura a cui un fluido può produrre vapori sufficienti ad incendiarsi.
- L'oggetto da verniciare deve essere collegato a terra.
- Prima di qualsiasi lavoro sull'apparecchio staccare la spina elettrica dalla presa di corrente.

## 1.3 SICUREZZA ELETTRICA

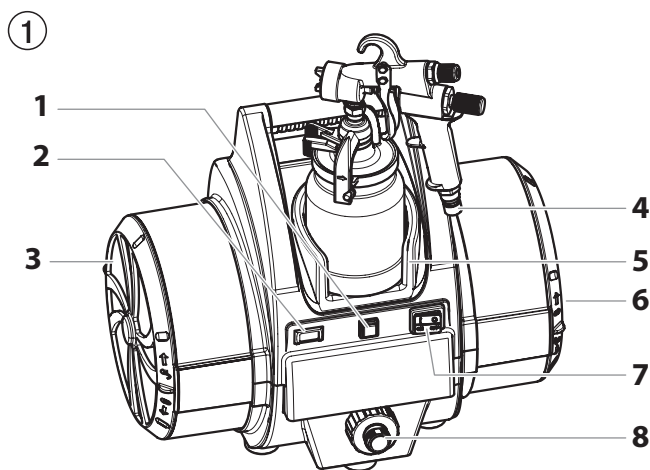
I modelli elettrici devono essere messi a terra. Nel caso di un cortocircuito elettrico, la messa a terra riduce il rischio di scossa elettrica grazie alla presenza di un cavo di scarico per la corrente elettrica. Questo prodotto è provvisto di un filo elettrico dotato di un cavo di messa a terra con una adeguata spina di messa a terra. Collegamento alla rete elettrica solo tramite un punto di alimentazione a parte, ad esempio per mezzo di un interruttore di sicurezza per correnti di guasto con  $INF \leq 30 \text{ mA}$ .

	<p>PERICOLO — I lavori e le riparazioni alle apparecchiature elettriche devono essere eseguiti solo da un elettricista specializzato. Wagner declina qualsiasi responsabilità in caso di installazione irregolare o errata. Spegner l'apparecchio. Prima di qualsiasi riparazione, disinserire la spina di rete dalla presa di corrente.</p>
	<p>Pericolo di cortocircuito dovuto all'infiltrazione di acqua nell'impianto elettrico. Non pulire mai l'impianto con un idropulitrice ad alta pressione o a vapore ad alta pressione.</p>
	<p>Attenzione – Il cavo di alimentazione di questo apparecchio agisce come connettore del circuito di alimentazione. Il cavo di alimentazione deve essere posto vicino ad una presa facilmente accessibile, senza ostruzioni.</p>

## 2 INTRODUZIONE

Questo sistema a spruzzo alto volume/bassa pressione (HVLP) è ideato per applicare rivestimenti a superfici che possono essere lavorate in modo più rapido rispetto a spazzole e rulli e che sono troppo piccole per i tradizionali spruzzatori senza aria. Tra i componenti di questo sistema sono inclusi un commutatore di alimentazione, un cavo di alimentazione, una spia di allarme associata al filtro, un interruttore di circuito, un sistema di filtraggio doppio, un reggicoppa, un flessibile dell'aria e una presa dell'aria.

La turbina è inoltre dotata di un portautensili. Questo portautensili è allocato sul lato opposto della turbina e può essere utilizzato per riporre i componenti del proiettore o altri piccoli pezzi di ricambio.



1. Interruttore di circuito
2. Luce di avvertimento filtro
3. Filtro
4. Ingresso dell'aria
5. Supporto tazza
6. Filtro (alla fine della scatola)
7. Interruttore di alimentazione
8. Uscita per l'aria

\* Il flessibile dell'aria non è riportato nell'illustrazione.

Con questo sistema a spruzzo HVLP, si può ottenere una rifinitura professionale della più alta qualità possibile con poca o nessuna preparazione né tempi di impostazione. Leggere tutte le informazioni contenute in questo manuale prima di utilizzare il sistema.

### 2.1 DATI TECNICI

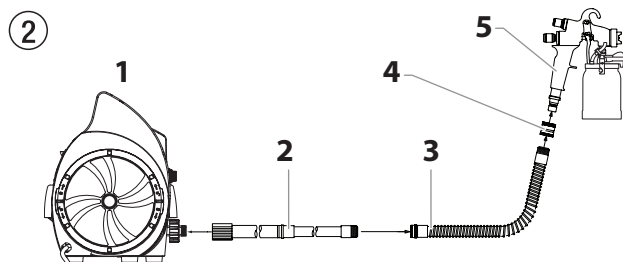
Tensione	220V-240V~, 50/60 Hz
Potenza assorbita P1	1836 W
Corrente assorbita max.	9,0A
Pressione dinamica max.	0,72 bar
Numero di giri	21.000 giri/min
Peso della turbina	15 kg
Cavo d'alimentazione	3 m
Capacità tazza	1 litro
Lunghezza del flessibile principale	9,1 m
Lunghezza del flessibile a frusta	1,5 m
Set ugello di spruzzatura (standard)	n° 4 (1,8 mm)
Temperatura massima consentita per il rivestimento	43°C
Tasso de flusso tipico per il rivestimento	0,35 l / m
Livello di pressione acustica max.	
turbocompressore	75 dB (A) *
aerografo per vernici	76 dB (A) **

\* Punto di misura: lateralmente all'apparecchio alla distanza di 1 m e ad 1,60 m sopra il basamento, basamento silenziato.


\*\* Punto di misura: distanza 2,5 m dall'apparecchio e 1,60 m sopra il basamento.

### 3 USO DEL SISTEMA A SPRUZZO HVLP


<b>i</b>	Fare riferimento alle seguenti informazioni per usare e comprendere il sistema a spruzzo HVLP.
<b>i</b>	Nel sistema può essere compreso un flessibile dell'aria ("a frusta") di minore lunghezza rispetto a quello principale. Questo flessibile più corto può essere collegato al flessibile principale più lungo oppure a un sistema di spruzzatura distanziato (acquistabile separatamente), ma NON deve essere collegato direttamente alla turbina. Per indicazioni dettagliate, fare riferimento al manuale di istruzioni della pistola spray.



1. Turbina
2. Flessibile dell'aria
3. Flessibile a frusta
4. Raccordo
5. Pistola spray

 Attenzione	Non collegare il flessibile a frusta (corto) direttamente alla turbina perché il flessibile dell'aria (lungo) si danneggerebbe.
---	---

#### 3.1 IMPOSTAZIONE

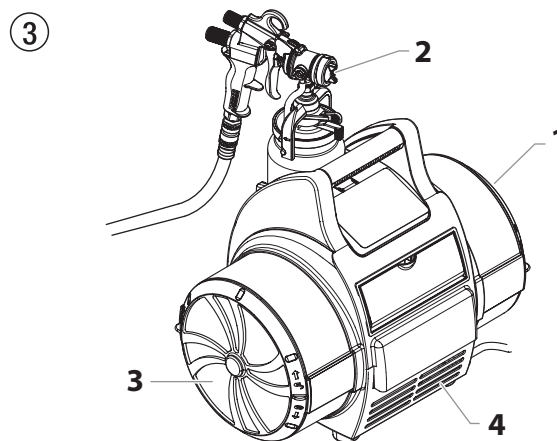
<b>i</b>	Usare la procedura che segue per impostare il sistema a spruzzo HVLP per il funzionamento.
	Tenere la turbina alla massima distanza possibile dall'aria di spruzzo per proteggersi da esplosioni o incendi che potrebbero essere provocati dalle scintille provenienti dalle parti elettriche.

1. Preparare la pistola a spruzzo per il funzionamento. Far riferimento al manuale della pistola a spruzzo per preparazione del materiale, impostazione e informazioni sullo spruzzo.
2. Fissare il flessibile dell'aria all'uscita dell'aria sulla turbina.
3. Fissare il flessibile dell'aria all'ingresso della pistola a spruzzo.

4. Inserire il cavo di alimentazione della turbina in una presa messa a terra.
5. Attivare la turbina e cominciare a spruzzare.


#### 3.2 SISTEMA FILTRAGGIO DOPPIO

La turbina ha due diversi filtri per l'aria – uno per l'aria atomizzante e uno per l'aria di raffreddamento. Il filtro per l'aria atomizzante (1) è a due fasi, a rete sottile, ideato per intrappolare le particelle che potrebbero danneggiare la rifinitura. L'aria atomizzante è scaricata attraverso l'ugello della pistola a spruzzo dove atomizza il materiale di rivestimento (2). Il filtro per l'aria di raffreddamento (3) è un filtro a rete doppia ideato per consentire il flusso della quantità corretta di aria attraverso la turbina a scopi di raffreddamento. L'aria di raffreddamento è scaricata attraverso lo scarico apposito sulla parte anteriore della turbina (4).



#### 3.3 SISTEMA DI AVVERTIMENTO FILTRO

Il sistema di avvertimento del filtro sulla turbina si compone di una luce di avvertimento filtro rossa sul pannello di controllo anteriore e un interruttore per il flusso dell'aria all'interno della turbina. Quando l'interruttore per il flusso dell'aria non rileva la quantità appropriata di aria che fluisce attraverso la turbina, la luce di avvertimento filtro si accende per indicare che è tempo di pulire o cambiare i filtri.

<b>i</b>	Il sistema di avvertimento filtro non arresta la turbina.
 Attenzione	Pulire i filtri regolarmente. I filtri bloccati possono provocare calore eccessivo e possibili danni alla turbina.



## 4 MESSA IN FUNZIONE



Prima di collegare l'apparecchio alla rete, assicurarsi che la tensione di rete corrisponda alla tensione d'esercizio indicata sulla targhetta dei dati dell'apparecchio. Il collegamento deve essere eseguito mediante una presa di corrente munita di un regolare contatto di messa a terra.

1. Avvitare l'estremità finale del tubo flessibile dell'aria (molla antipiega) al turbocompressore.  
Accoppiare il tubo flessibile dell'aria all'aerografo per la vernice.
2. Aprire la leva di chiusura situata sopra la tazza del materiale ed estrarre quindi la tazza del materiale.
3. Rifornire la tazza del materiale con il materiale di copertura.
4. Verificare la tenuta e la pulizia della guarnizione della tazza del materiale.
5. Innestare la tazza sull'aerografo fino al completo bloccaggio e assicurare con la leva di chiusura.
6. Mettere in funzione il turbocompressore.
7. Dirigere l'aerografo della vernice sull'area da spruzzare.
8. Stabilire le regolazioni dell'allineamento, della larghezza del getto di spruzzatura, della quantità del materiale di copertura e dell'aria, nonché del tubo di salita, vedi ill. 4 - 10 e la descrizione a pagina 49/50.
9. Azionare la staffa a grilletto dell'aerografo per la vernice.

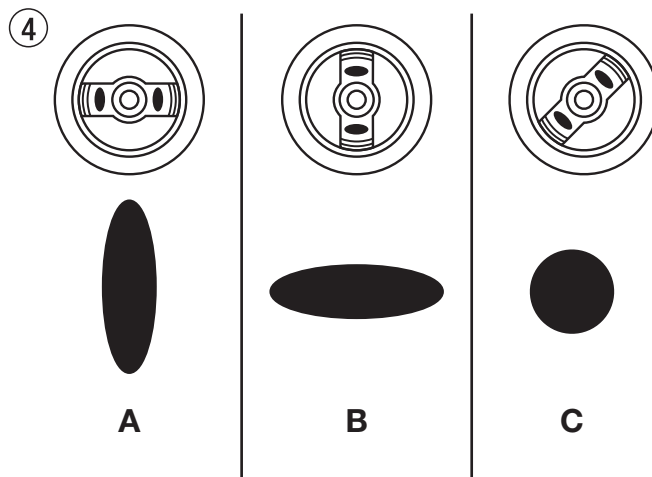
### 4.1 REGOLAZIONE DELL'AEROGRAFO DELLA VERNICE FC9900 PLUS

#### SELEZIONE DEGLI ALLINEAMENTI (ILL. 4)

**A = Getto piatto verticale** per superfici orizzontali

**B = Getto piatto orizzontale** per superfici verticali

**C = Getto tondo** per angoli e spigoli come pure per punti difficilmente raggiungibili



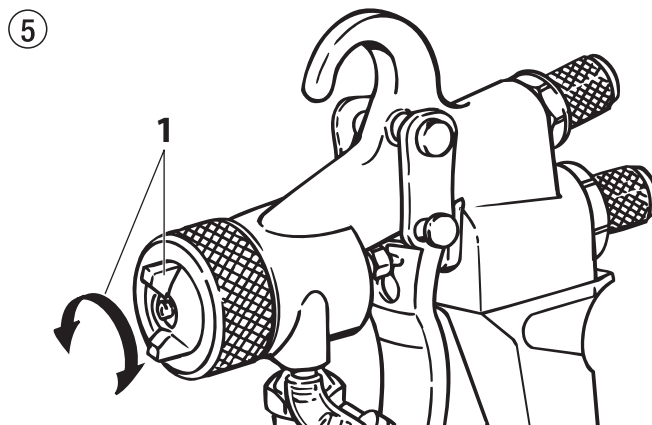
#### REGOLAZIONE DELL'ALLINEAMENTO DESIDERATO (ILL. 5)

Ruotare la cappa dell'aria (1) verso la posizione dell'allineamento desiderato.



Attenzione

Durante la procedura di regolazione della cappa dell'aria non premere mai la staffa a grilletto.



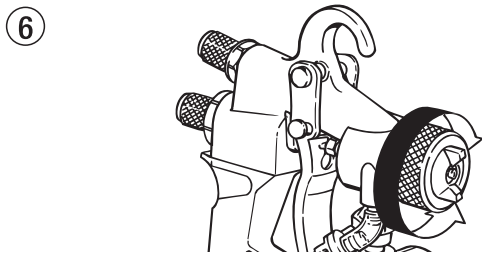
**REGOLAZIONE DELLA LARGHEZZA DEL GETTO DI SPRUZZATURA (ILL. 6)**

**Regolazione**

ruotare verso destra = getto di spruzzatura largo

ruotare verso sinistra = getto di spruzzatura stretto

<b>i</b>	La regolazione non è stata prevista per il fissaggio della cappa dell'aria!
----------	---

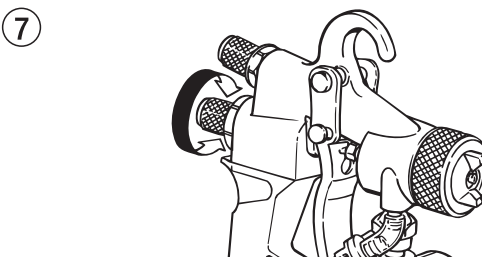


**REGOLAZIONE DELLA PORTATA DEL MATERIALE (ILL. 7)**

La quantità del materiale viene fissata ruotando la manopola di regolazione della portata del materiale.

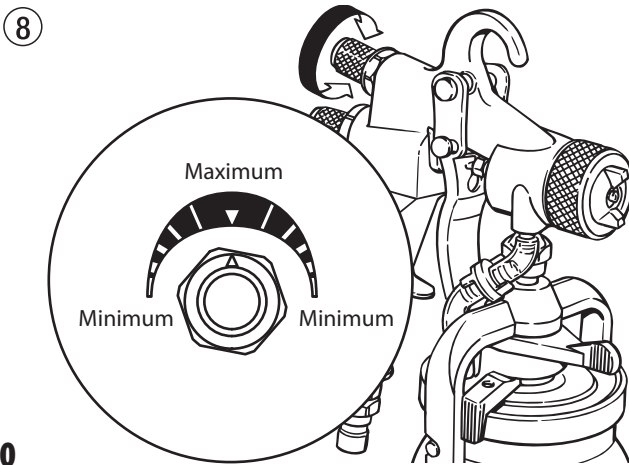
ruotare verso sinistra = per aumentare la portata del materiale

ruotare verso destra = per diminuire la portata del materiale



**REGOLAZIONE DELLA PORTATA DELL'ARIA (ILL. 8)**

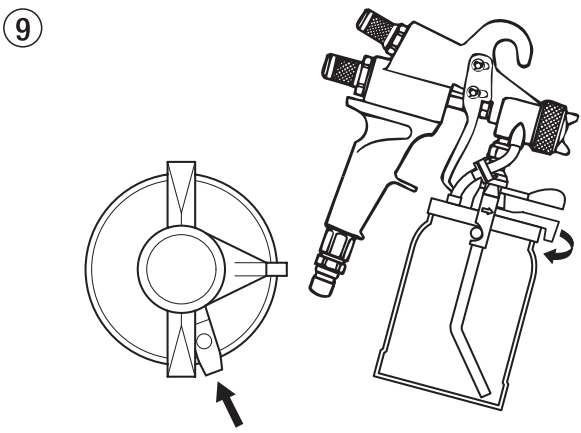
La corretta regolazione della portata dell'aria è un fattore decisivo per l'atomizzazione e la comparsa di nubi di vernice.



**REGOLAZIONE DEL TUBO DI SALITA**

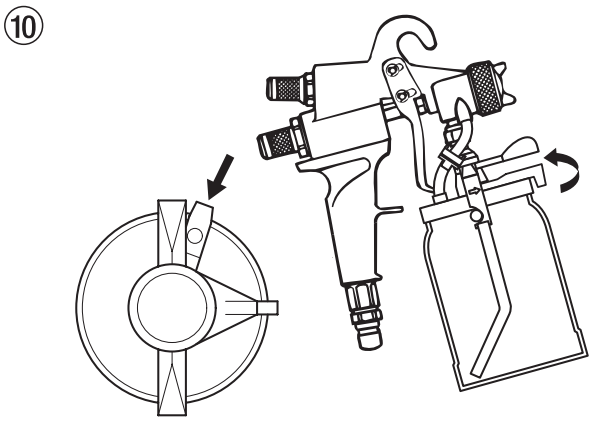
**LAVORI DI SPRUZZATURA SU SUPERFICI DISTESE (ILL. 9)**

Ruotare la leva a rotazione in senso orario fino al fermo.



**LAVORI DI SPRUZZATURA SU SUPERFICI ELEVATE (ILL. 10)**

Ruotare la leva a rotazione in senso antiorario fino al fermo.



## 5 TECNICA DI SPRUZZATURA

Mantenere l'aerografo in posizione verticale e ad una distanza uniforme di circa 3 – 20 cm dall'oggetto da verniciare.

Muovere l'aerografo con movimenti uniformi in senso trasversale o verticale. Un movimento uniforme dell'aerografo assicura una qualità uniforme della superficie dei pezzi verniciati. Con una corretta velocità di lavoro, si ottiene una spruzzatura priva di strisce.

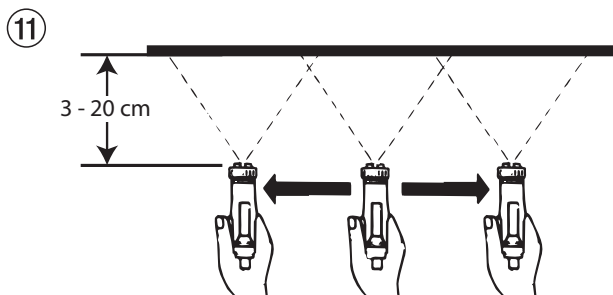
Iniziare la spruzzatura al di fuori dell'oggetto da verniciare ed evitare interruzioni di lavoro fino alla completa verniciatura del pezzo.

**i**

L'impostazione del getto conico consente di aumentare la distanza a seconda dell'oggetto da verniciare.

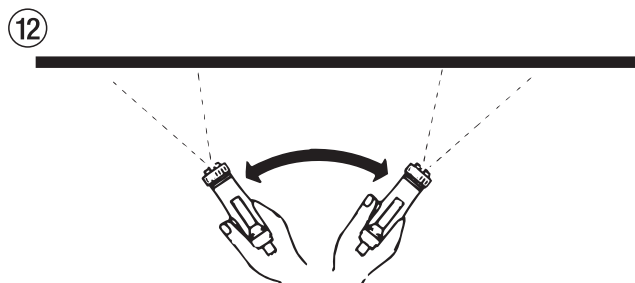
- In caso di formazione eccessiva di nebbia di colore, è necessario ottimizzare la portata d'aria e di materiale nonché la distanza dall'oggetto.

### CORRETTO



### ERRATO

Grande formazione di nebbia di colore, qualità della superficie verniciata non uniforme.

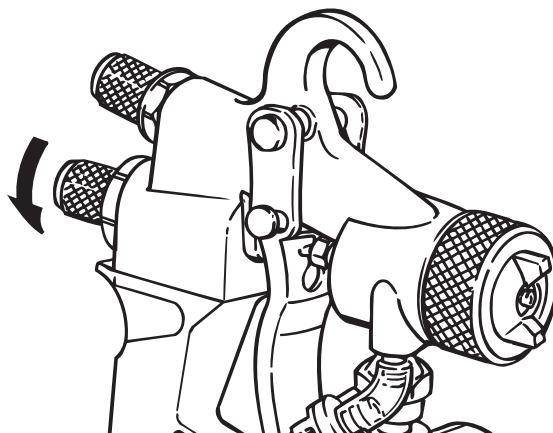


### 5.1 INTERRUZIONE DEL LAVORO

1. Ruotare la manopola di regolazione del materiale verso destra fino al fermo (ill. 13).

In questo modo l'aerografo per la vernice e protetto contro l'azionamento involontario.

13



2. Spegner l'apparecchio.

## 6 MESSA FUORI FUNZIONE E PULIZIA DELL'APPARECCHIO

1. Spegnerne l'apparecchio.
2. Mantenere l'aerografo per la vernice nella tazza originale. Azionare la staffa a grilletto per fare scaricare la pressione dalla tazza del materiale.
3. Aprire la leva di chiusura situata sulla tazza del materiale ed estrarre quindi la tazza del materiale.
4. Travasare il rimanente materiale di copertura dalla tazza del materiale nella propria tazza originale.
5. Versare del solvente o dell'acqua nella tazza del materiale e montare quindi quest'ultima all'aerografo per la vernice.



Usare esclusivamente solventi con un punto di infiammabilità superiore a 21 °C.

6. Agitare con cura l'aerografo.
7. Accendere l'apparecchio e spruzzare il solvente rispett. l'acqua in una tazza aperta.



Non rispruzzare in nessun caso in un recipiente con una sola piccola apertura (zaffo)! Vedi le norme di sicurezza.

8. Ripetere l'operazione suddetta finché dall'ugello non fuoriesca solvente rispett. acqua pura. Svuotare quindi completamente la tazza del materiale.



La tazza del materiale montato non deve rimanere riempito con il solvente, poiché in tal caso si potrebbe generare una pressione nella tazza.

Assicurarsi che la guarnizione della tazza del materiale sia sempre libera da residui di vernice e che non sia danneggiata.

9. Spegnerne l'apparecchio.
10. Pulire la superficie esterna della tazza del materiale dell'aerografo per la vernice con uno straccio imbevuto di solvente rispett. di acqua.



Non lasciare l'aerografo FC9900 Plus immerso nel solvente per un tempo troppo lungo! Il corretto funzionamento delle guarnizioni e delle tubazioni dell'aria della valvola di contraccolpo, potrebbe essere pregiudicato a causa di eventuali rigonfiamenti.

11. Svitare l'anello di regolazione e rimuovere la cappa dell'aria e la piastra a molla (ill. 13). Pulire accuratamente con un pennello e con del solvente rispett. acqua la cappa dell'aria, l'ugello e l'ago.



Non pulire mai i fori per l'acqua o gli ugelli otturati dell'aerografo FC9900 Plus con oggetti metallici appuntiti.

12. Lubrificare leggermente i punti contrassegnati con un po' di olio esente da silicone (ill. 14).

14



13. Se l'aerografo non viene utilizzato per lungo tempo, dopo la pulizia si raccomanda di eseguire una conservazione con olio di conservazione esente da silicone.

## 7 MANUTENZIONE



Usare le procedure che seguono per far funzionare correttamente il sistema a spruzzo HVLP.

### 7.1 PULIZIA/SOSTITUZIONE DEI FILTRI

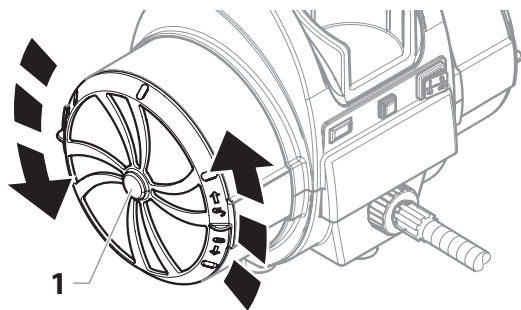


Attenzione

Prima di sostituire i filtri, accertarsi che la turbina sia stata scollegata dalla presa di corrente.

1. Rimuovere i coperchi dei filtri (1) su ciascun lato della turbina girandoli in senso antiorario.

15

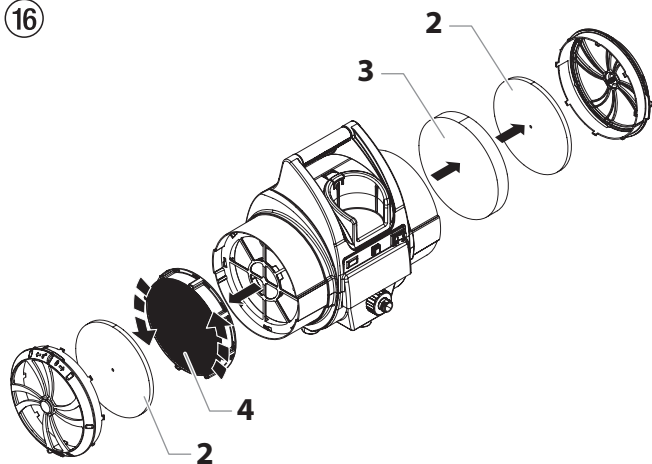


2. Rimuovere ogni componente del filtro (prefiltro [2] e filtro [3]) dal relativo vano di alloggiamento su ciascun lato della turbina.



Il filtro piegheettato bianco (4) deve essere rimosso dalla turbina nello stesso modo del coperchio. Girarlo in senso antiorario per sboccarlo e staccarlo.

16



Non usare solventi altamente infiammabili, come solventi per lacche, per pulire i filtri.



Attenzione

Non immergere in solventi il filtro piegheettato di carta. Per pulire questo filtro, è possibile solo scuoterlo o soffiarsi dell'aria compressa dirigendola all'interno (lato pulito).

3. Pulire i filtri. Per eliminare dai filtri le sostanze contaminanti, è possibile scuoterli o soffiarsi dell'aria compressa. In caso di materiali che non è semplice rimuovere nei modi sopra indicati, sarà necessario immergere i filtri in acqua saponata o in acquaragia. Prima di rimontare i filtri nella turbina, verificare che siano completamente asciutti.
4. Inserire ciascun filtro nella scatola corrispondente.



Controllare che il filtro piegheettato bianco aderisca fermamente ai raggi della relativa scatola. Girare i filtri in senso orario per fissarli in posizione.

5. Rimontare i coperchi dei filtri su ciascun lato della turbina girandoli in senso orario.



Dopo alcune pulizie, può diventare necessario sostituire i filtri. Far riferimento all'elenco delle parti verso la fine di questo manuale per il numero di parte del kit di sostituzione del filtro.

### 7.2 PULIZIA DEI FLESSIBILI DELL'ARIA

1. Per mantenere pulita la superficie esterna del flessibile dell'aria, passarvi regolarmente un panno inumidito.



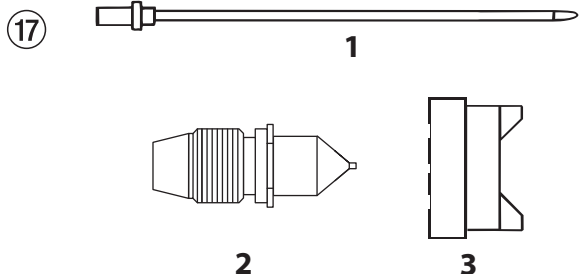
Attenzione

NON immergere e NON sciacquare il flessibile dell'aria, né con acqua né con un agente chimico. NON pulire il flessibile dell'aria utilizzando metiletilchetone (MEK), nafta, acquaragia, diluenti per vernici, xilolo/xilene o toluolo/toluene. Nel tempo, l'esposizione potrebbe causare il danneggiamento del flessibile. Conservare in un ambiente interno con il cavo avvolto intorno all'impugnatura.

## 8 SCelta DI UN SET PROIETTORE



La pistola a spruzzo HVLP deve essere montata con il set di proiezione corretto per il tipo di lavoro che si sta per eseguire. Un set proiettore si compone di gruppo punta (Ill. 17, articolo 1), punta liquido (2) e testina aria (3).

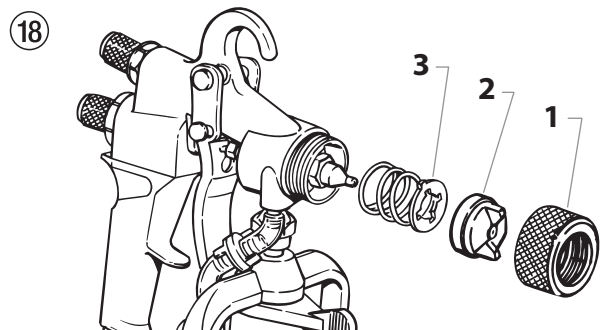


Bisogna scegliere il set proiettore sulla base di due elementi: tipo di materiale da spruzzare e rifinitura desiderata.

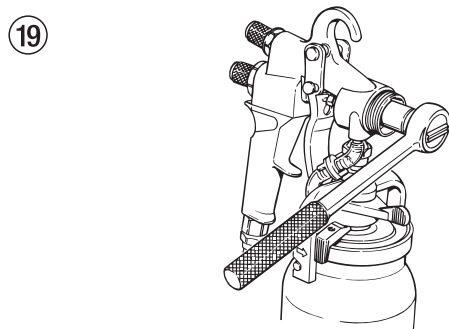
Il diagramma nella pagina che segue aiuta a fare la scelta giusta.

### 8.1 SOSTITUZIONE DI UN SET PROIETTORE

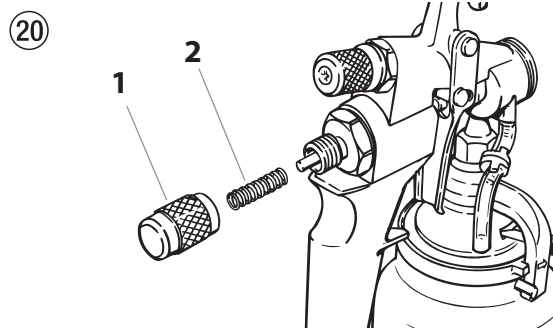
1. Rimuovere l'anello della testina aria (Fig. 18, articolo 1), testina aria (2) e piastra a molla (3).



2. Rimuovere la punta liquido.



3. Rimuovere la manopola di regolazione del flusso del materiale (Ill. 20, articolo 1) e la molla (2).

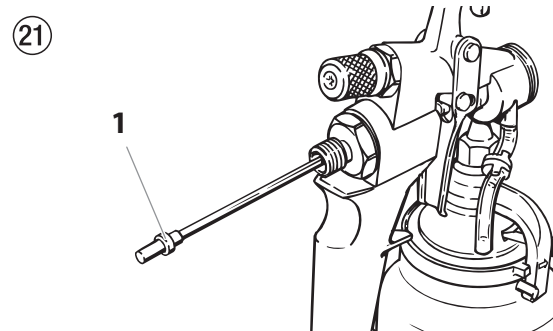


4. Rimuovere la punta (Fig. 21, articolo 1).



Attenzione

Se la punta non scorre facilmente, allentare il dado della guarnizione per evitare che punta o guarnizione si danneggino.



5. Installare il nuovo set proiettore al contrario.

## 9 RIDUZIONE MATERIALE/DIAGRAMMA SET PROIETTORE

Prima di spruzzare, il materiale da usare deve essere diluito con un solvente appropriato e deve essere installato il set proiettore corretto. È sempre meglio seguire i consigli e le procedure di diluizione dei produttori del materiale.

Ci sono due metodi semplici per misurare lo spessore corretto di un materiale:

1. Immergere un bastoncino nel materiale e rimuovere, guardando con attenzione il materiale che scivola via. Quando il materiale comincia a formare gocce, le gocce dovrebbero cadere a circa 1 secondo di distanza.
2. Usare una tazza per viscosità (P/N 0153165). Immergere la tazza nel materiale e rimuoverla. Usare un orologio per vedere quanto tempo impiega il materiale per scorrere via dalla tazza con un flusso continuo. Quando il flusso continuo si interrompe, interrompere il cronometro e vedere la tabella sotto. Aggiungere solvente appropriato e continuare il test finché non si raggiunge lo spessore corretto per il tipo di materiale che si usa.

MATERIALE	VISCOSITÀ SECONDO DIN-5 (TAZZA DIN DA 4 MM)	SET PROIETTORE
Vernici contenenti solvente	15 - 45	3 - 4
Vernici idrosolubili	Osservare le indicazioni del fabbricante	4 - 5
Materiali per la conservazione del legno (vernici trasparenti, mordenti, ecc.)	Non diluito	2 - 3
Materiali ad effetto colorante, pitture multicolori	Osservare le indicazioni del fabbricante	6 - 7
Vernici strutturali e di effetto	Osservare le indicazioni del fabbricante	5 - 6

## 10 ELIMINAZIONE DI ANOMALIE

Tipo di anomalia	Possibile causa	Misura per eliminare l'anomalia
A. Flusso di aria limitato o assente	<ol style="list-style-type: none"> <li>1. Manopola di regolazione del flusso dell'aria sulla pistola a spruzzo disattivata</li> <li>2. Filtri dell'aria bloccati</li> </ol>	<ol style="list-style-type: none"> <li>1. Regolare la manopola del flusso dell'aria</li> <li>2. Pulire o sostituire i filtri</li> </ol>
B. Luce avvertenza filtro accesa	<ol style="list-style-type: none"> <li>1. Filtri dell'aria bloccati</li> </ol>	<ol style="list-style-type: none"> <li>1. Pulire o sostituire i filtri</li> </ol>
C. Turbina senza alimentazione	<ol style="list-style-type: none"> <li>1. Assenza di alimentazione</li> <li>2. Interruttore di circuito scattato.</li> <li>3. Spazzole turbina usurate</li> </ol>	<ol style="list-style-type: none"> <li>1. Controllare l'alimentazione</li> <li>2. Reset the breaker. If problem persists, have turbine inspected at an authorized Wagner service center.</li> <li>3. Far sostituire le spazzole da un centro assistenza autorizzato Wagner</li> </ol>
D. Archi/scintille in eccesso nella turbina	<ol style="list-style-type: none"> <li>1. Spazzole turbina usurate</li> <li>2. Commutatore danneggiato</li> </ol>	<ol style="list-style-type: none"> <li>1. Far sostituire le spazzole da un centro assistenza autorizzato Wagner</li> <li>2. Sostituire la turbina (contattare un tecnico per l'assistenza Wagner)</li> </ol>



Il motore della turbina può danneggiarsi se non riceve la corretta assistenza. Far controllare le spazzole (P/N 0276878) per eventuale usura da un centro assistenza autorizzato ogni 400 ore.  
Pulire i filtri regolarmente. I filtri bloccati possono provocare calore eccessivo e possibili danni all'unità.  
Per informazioni aggiuntive sulla soluzione dei problemi, vedere il manuale in dotazione con la pistola.

### 10.1 ASSISTENZA

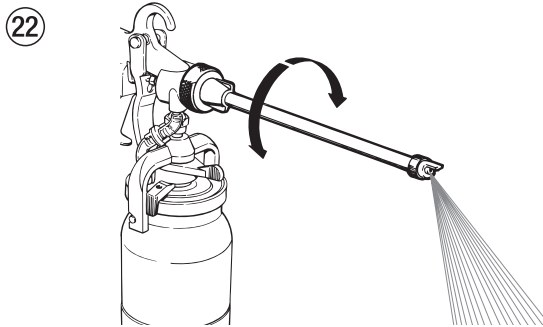
Se il sistema a spruzzo necessita di assistenza durante il periodo di garanzia, restituire l'unità e la prova di acquisto al distributore presso cui è stato acquistato. A scelta, l'unità sarà riparata o sostituita. Grazie al nostro continuo impegno per migliorare la qualità, ci riserviamo il diritto di apportare modifiche ai componenti o al design se necessario.

## 11 ACCESSORI SPECIALI

### UGELLO DI PROLUNGA RN 30 (ILL. 22)

per il rivestimento di radiatori, lunghezza 30 cm.

Cod. art. **0261 020**



### LANCIA DI SPRUZZATURA WSL 50 (ILL. 23)

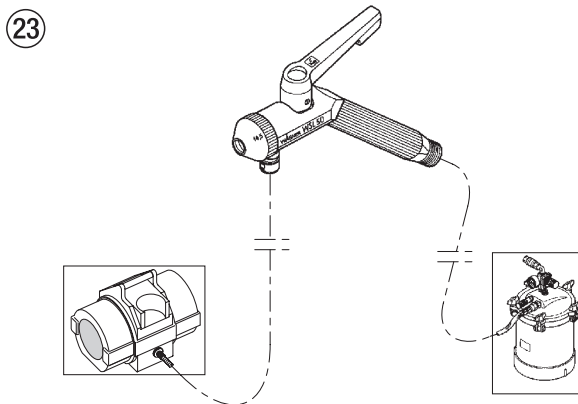
#### Campi d'impiego

Rinnovamenti e riparazioni

Allestimento soffitti e pareti

Alimentazione del materiale attraverso un comune serbatoio a pressione.

Cod. art. **0261 023**

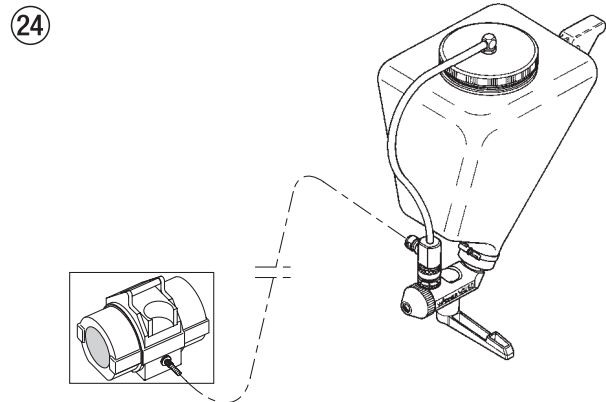


### LANCIA DI SPRUZZATURA WSL 60 (ILL. 24)

#### Materiali di copertura lavorabili

I materiali di copertura, i quali a causa della loro struttura, che non possono essere lavorati con un aerografo per vernici sono per esempio: fibre liquide grezze, materiali di copertura ad effetto multicolore, intonaci, stucchi da struttura e a spruzzo ecc.

Cod. art. **0261 024**

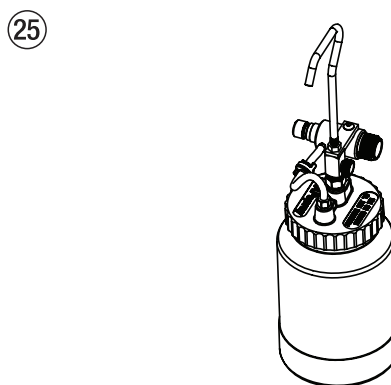


### POWER CART

Cod. art. **0524 001**

### 1,9 L SERBATOIO A PRESSIONE SEPARATO (ILL. 25)

Cod. art. **0524 230**





**3 ANNI + 2 DI GARANZIA SU QUESTO PRODOTTO PER IL FAI DA TE DI WAGNER**

(edizione 03/03/2022)

Oltre alla garanzia di legge, all'utente professionista (nel seguito denominato "Cliente") che ha acquistato il prodotto presso un rivenditore autorizzato, WAGNER fornisce una garanzia sui prodotti elencati nella pagina del proprio sito Internet <https://go.wagner-group.com/3plus2-info>, se non esclusi dalla garanzia.

Il periodo di garanzia dei prodotti WAGNER (dispositivi) destinati al settore fai da te è di 36 mesi e ha inizio con la data del primo acquisto. Detto periodo di garanzia può essere esteso di ulteriori 24 mesi se il dispositivo viene registrato entro 28 giorni dalla data di acquisto all'indirizzo <https://go.wagner-group.com/3plus2>.

In caso di noleggio professionale, di utilizzo in ambiente industriale (ad es. di lavoro a turni) o in scenari operativi equivalenti, la garanzia è di 12 mesi a causa del carico di lavoro sensibilmente maggiore. In tal caso ci riserviamo di eseguire una verifica caso per caso e di escludere eventualmente la garanzia.

Qualora entro il periodo di garanzia si verificano problemi con il materiale, la lavorazione o la prestazione del dispositivo, la richiesta della riparazione in garanzia dovrà essere presentata al più tardi entro 2 settimane dalla constatazione del problema.

Su richiesta, le condizioni di garanzia dettagliate possono essere ottenute dai nostri partner autorizzati WAGNER (vedere il sito web o le istruzioni d'uso) o sotto forma di testo sul nostro sito web:

<https://go.wagner-group.com/pf-warranty-conditions>



<b>1</b>	<b>REGULAMENTAÇÕES DE SEGURANÇA</b>	<b>59</b>
1.1	Explicação dos símbolos usados	59
1.2	Riscos à segurança	59
1.3	Segurança elétrica	60
<b>2</b>	<b>INTRODUÇÃO</b>	<b>61</b>
2.1	Dados técnicos	61
<b>3</b>	<b>USO DE UM PULVERIZADOR HVLP</b>	<b>62</b>
3.1	Configuração	62
3.2	Sistema de filtragem dupla	62
3.3	Sistema de aviso do filtro	62
<b>4</b>	<b>INÍCIO DA OPERAÇÃO</b>	<b>63</b>
4.1	Configuração da pistola de pulverização FC9900 Plus	63
<b>5</b>	<b>TÉCNICA DE PULVERIZAÇÃO</b>	<b>65</b>
5.1	Pausas durante o trabalho	65
<b>6</b>	<b>CONCLUSÃO DO TRABALHO E LIMPEZA DA UNIDADE</b>	<b>66</b>
<b>7</b>	<b>MANUTENÇÃO</b>	<b>67</b>
7.1	Limpeza/substituição dos filtros	67
7.2	Limpeza das mangueiras de ar	67
<b>8</b>	<b>ESCOLHA DE UM CONJUNTO PROJETOR</b>	<b>68</b>
8.1	Troca de um conjunto projetor	68
<b>9</b>	<b>TABELA DE REDUÇÃO DE MATERIAL/ CONJUNTO PROJETOR</b>	<b>69</b>
<b>10</b>	<b>SOLUÇÃO DE PROBLEMAS</b>	<b>69</b>
10.1	Manutenção	69
<b>11</b>	<b>ACESSÓRIOS ESPECIAIS</b>	<b>70</b>

<b>3 + 2 ANOS DE GARANTIA NESTE PRODUTO DE CONSTRUÇÃO WAGNER</b>	<b>71</b>
<b>PEÇAS SOBRESSALENTES</b>	<b>86</b>
Lista de peças sobressalentes para o conjunto principal	86
Lista de peças sobressalentes para o conjunto da turbina	88
Lista de peças sobressalentes para o conjunto do compartimento superior	90
Lista de peças sobressalentes para o conjunto do compartimento inferior	92
<b>DIAGRAMA DE CONEXÕES</b>	<b>94/95</b>
<b>EMPRESAS DE VENDAS E SERVIÇOS</b>	<b>99/100</b>

# 1 REGULAMENTAÇÕES DE SEGURANÇA

## 1.1 EXPLICAÇÃO DOS SÍMBOLOS USADOS

Este manual contém informações que devem ser lidas e compreendidas antes do uso do equipamento. Ao chegar a uma área que apresente um dos símbolos a seguir, preste atenção especial e não deixe de observar a proteção.



→ Este símbolo indica um risco em potencial que pode causar ferimentos graves ou morte. Serão apresentadas importantes informações de segurança.



Atenção

→ Este símbolo indica um risco em potencial para você ou o equipamento. Serão apresentadas importantes informações para evitar danos ao equipamento e causas de pequenos ferimentos.



→ Risco de ferimento por queimadura da pele



→ Perigo de incêndio causado por vapores de solventes e tintas



→ Perigo de explosão causada por vapores de solventes, tintas e materiais incompatíveis



→ Perigo de ferimentos causados por inalação de vapores perigosos



→ Use protetores auriculares



→ Utilize óculos de proteção



→ Observações fornecem informações importantes que devem receber atenção especial.

## 1.2 RISCOS À SEGURANÇA



### PERIGO: RISCO DE EXPLOSÃO DEVIDO A MATERIAIS INCOMPATÍVEIS

Causará lesões graves ou danos materiais.

#### PREVENÇÃO:

- Não utilize materiais que contêm alvejante ou cloro.
- Não utilize solventes de hidrocarbonetos halogenados como cloreto de metileno e 1,1,1-tricloroetano. Eles não são compatíveis com o alumínio e podem causar uma explosão. Se não tiver certeza da compatibilidade de um material com o alumínio, entre em contato com o fornecedor do revestimento.



Uma lista de materiais utilizados na construção do equipamento será disponibilizada mediante solicitação para validar a compatibilidade com os materiais de revestimento a serem usados.



### RISCO: GERAL

Este produto pode causar graves ferimentos ou danos à propriedade.

#### PREVENÇÃO:

- Leia todas as instruções e precauções de segurança antes de operar o equipamento.
- Siga todos os códigos locais, estaduais e nacionais adequados referentes à ventilação, prevenção de incêndios e operação.
- Use somente peças autorizadas pelo fabricante. O usuário assume todos os riscos e responsabilidades ao usar peças que não atendem às especificações mínimas e aos dispositivos de segurança do fabricante da bomba.
- Antes de cada uso, verifique todas as mangueiras quanto a cortes, vazamentos, abrasão ou protuberâncias. Verifique se não há danos ou movimentações nas conexões. Substitua imediatamente a mangueira se encontrar qualquer uma dessas condições. Nunca faça reparos em uma mangueira. Substitua-a por uma mangueira idêntica.
- NUNCA aponte a pistola para qualquer parte do corpo.
- Utilize uma vestimenta para evitar que a tinta entre em contato com a pele e cabelos.
- Use protetores auriculares.
- Não pulverize externamente em dias com vento.
- Nunca deixe esse equipamento sem supervisão. Mantenha-o longe de crianças ou outras pessoas que não estejam familiarizadas com a operação do equipamento HVLP.



### RISCO: VAPORES PERIGOSOS

Tintas, solventes e outros materiais podem ser perigosos se inalados ou se entrarem em contato com o corpo. Os vapores podem causar grave náusea, desmaio ou envenenamento.

#### PREVENÇÃO:

- Use um respirador ou máscara no caso de possibilidade de inalação de vapores. Leia todas as instruções fornecidas com a máscara para se certificar de que ela fornecerá a proteção necessária.
- Utilize óculos de proteção.
- Utilize vestimenta de proteção conforme exigido pelo fabricante do revestimento.



### PERIGO: LESÃO POR QUEIMADURAS DA PELE

Peças quentes podem causar lesões graves por queimadura.

#### PREVENÇÃO:

- Os encaixes de desconexão rápida na mangueira e pistola de pulverização ficam quentes durante o uso. Evite o contato da pele com os encaixes de desconexão rápida quando estiverem quentes. Deixe que os encaixes de desconexão rápida resfriem antes de desconectar a pistola de pulverização da mangueira.



### PERIGO: EXPLOSÃO OU INCÊNDIO

Fumaça de vapor e tinta podem explodir ou se incendiar. Lesões graves e/ou danos materiais podem ocorrer.



#### PREVENÇÃO:

- Permita o amplo escape e a introdução de ar fresco para impedir o acúmulo de vapores inflamáveis no ar dentro da área de pulverização.
- Evite todas as fontes de ignição, como faíscas de eletricidade estática, aparelhos elétricos, chamas, luzes piloto, objetos quentes e faíscas de conexão e desconexão de cabos de alimentação ou interruptores de luz em funcionamento.
- O plástico pode causar faíscas estáticas. Nunca pendure plásticos para delimitar a área de pulverização. Não utilize vestimentas de proteção de plástico ao pulverizar materiais inflamáveis.
- Não fume na área de pulverização.

- Extintores de incêndio devem estar presentes e em bom estado de funcionamento.
- O cabo de energia deve ser conectado a um circuito aterrado (somente unidades elétricas).
- Siga os avisos e as instruções do fabricante do material e do solvente. Esteja familiarizado com as informações técnicas e a ficha de dados de segurança (SDS) do material de revestimento para garantir o uso seguro.
- Tenha extremo cuidado ao usar materiais com ponto de ignição abaixo de 21 °C. O ponto de ignição é a temperatura na qual um fluido pode produzir vapores suficientes para entrar em ignição.
- O objeto a ser revestido deve estar aterrado.
- Antes de trabalhar no dispositivo, remova o cabo de alimentação da tomada.

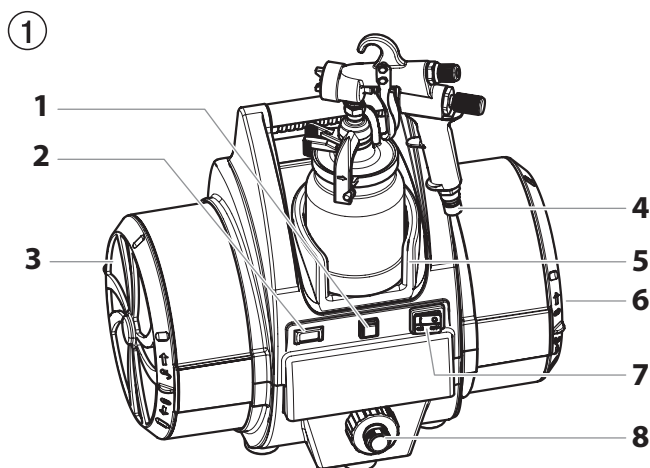
## 1.3 SEGURANÇA ELÉTRICA

Os modelos elétricos devem ser aterrados/ligados à terra. No caso de um curto-circuito elétrico, o aterramento/ligação à terra reduz o risco de choque elétrico proporcionando um fio de escape para a corrente elétrica. Este produto é equipado com um cabo que tem um fio de aterramento/ligação à terra com um conector apropriado para aterramento/ligação à terra. Conexão com o cabo de alimentação apenas através de um ponto de alimentação especial, por exemplo, através de uma instalação de proteção contra erros com INF <30 mA.

	<p>PERIGO — Trabalhos ou reparos no equipamento elétrico só podem ser realizados por um electricista qualificado. Nenhuma responsabilidade é assumida por instalação incorreta. Desligar a unidade. Antes de todos os reparos, desconecte o conector de alimentação da tomada.</p>
	<p>Perigo de curtos-circuitos causados pela entrada de água no equipamento elétrico. Nunca pulverize a unidade com alta pressão ou dispositivos de limpeza a vapor de alta pressão.</p>
	<p>Cuidado – O cabo de alimentação desse equipamento atua como um conector de circuito de alimentação. O cabo de alimentação deve ser colocado próximo a uma tomada não obstruída e facilmente acessível.</p>

## 2 INTRODUÇÃO

Esse sistema de pulverização de Alto volume/Baixa pressão (HVLP) foi projetado para aplicar revestimentos em superfícies que podem ser pulverizadas mais rapidamente do que com pincel ou rolo e que sejam muito pequenas para pulverizadores sem ar tradicionais. Os componentes desse sistema incluem um interruptor de energia, um cabo de alimentação, uma luz de aviso do filtro, um disjuntor, um sistema de filtragem dupla, um suporte para copos, uma mangueira de ar e uma saída de ar. A turbina também está equipada com uma caixa de ferramentas. Ela está localizada no lado contrário da turbina e pode ser usada para armazenar conjuntos do projetor ou qualquer outra peça sobressalente pequena.



1. Interruptor do disjuntor
  2. Luz de aviso do filtro
  3. Filtro
  4. Entrada de ar
  5. Suporte do copo
  6. Filtro (na ponta da lata)
  7. Chave de força
  8. Saída de ar
- \* Mangueira de ar não exibida.

Com esse sistema de pulverização HVLP, você pode obter um acabamento profissional da mais alta qualidade possível com pouco ou nenhum preparo ou tempo de instalação. Revise todas as informações contidas nesse manual antes de operar o sistema.



### 2.1 DADOS TÉCNICOS

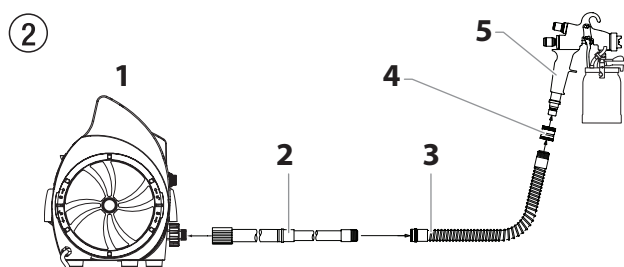
Potência	220V-240V~, 50/60 Hz
Consumo de energia P1	1836 W
Consumo máx. de corrente	9,0A
Pressão de ar	0,72 bar (10,5 psi)
RPM	21 000 rpm
Peso da turbina	15 kg
Cabo de alimentação	3 m
Capacidade do recipiente	1 liter
Comprimento da mangueira principal	9,1 m
Comprimento da mangueira chicote	1,5 m
Configuração do bocal (padrão)	No. 4 (1.8 mm)
Temperatura máx. permitida de revestimento	43°C
Taxa de fluxo de revestimento típico	0,35 l/min
Nível máx. de ruído	
ventoinha da turbina	75 dB (A) *
pistola de pulverização de tinta	76 dB (A)

\* Local de medição: 1 m de distância da unidade a 1,60 m acima do chão, chão reverberante.


\*\* Local de medição: 2,5 m de distância da unidade a 1,60 m acima do chão.

### 3 USO DE UM SISTEMA DE PULVERIZAÇÃO HVLP



	Leia as seguintes informações para operar e entender seu sistema de pulverização HVLP.
	Seu sistema pode incluir uma mangueira de ar ("chicote") curta. A mangueira curta deve ser conectada à mangueira mais longa ou a um sistema de pulverização remoto (vendido separadamente) e NÃO diretamente à turbina. Consulte o manual de instruções da pistola de pulverização para obter informações completas.



1. Turbina
2. Mangueira de ar
3. Mangueira de chicote
4. Acoplamento
5. Pistola de pulverização

 Atenção	Não conecte a mangueira de ar curta diretamente na turbina, pois a mangueira será danificada.
--	---

#### 3.1 CONFIGURAÇÃO

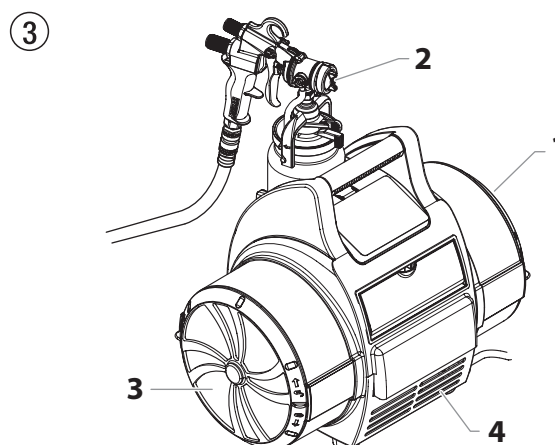
	Utilize o seguinte procedimento para configurar seu sistema de pulverização HVLP para operação.
	Mantenha a turbina na distância máxima possível da área de pulverização para proteger contra explosão ou incêndio que possam ser causados por faíscas de peças elétricas.

1. Prepare sua pistola de pulverização para operação. Consulte o manual da pistola de pulverização para informações sobre o preparo do material, instalação e pulverização.
2. Conecte a mangueira de ar à saída de ar na turbina.
3. Conecte a mangueira de ar à entrada de ar na pistola de pulverização.

4. Conecte o cabo de alimentação da turbina em um receptáculo aterrado.
5. Ligue a turbina e comece a pulverização.



#### 3.2 SISTEMA DE FILTRAGEM DUPLA

A turbina possui dois filtros de ar diferentes — um para o ar de atomização e um para o ar de resfriamento. O filtro de ar de atomização (1) é um filtro de malha fina de dois estágios projetado para recolher partículas que podem danificar seu acabamento. O ar de atomização é descarregado pelo bico da pistola de pulverização que atomiza o material de revestimento (2). O filtro de ar de resfriamento (3) é um filtro de malha grossa projetado para permitir a quantidade adequada de fluxo de ar pela turbina para resfriamento. O ar de resfriamento é dissipado pela descarga de ar de resfriamento na parte frontal da turbina (4).



#### 3.3 SISTEMA DE AVISO DO FILTRO

O sistema de aviso do filtro em sua turbina consiste em uma luz de aviso do filtro vermelha no painel de controle frontal e em um interruptor de fluxo de ar dentro da turbina. Quando o interruptor de fluxo de ar não detecta a quantidade de ar adequada fluindo pela turbina, a luz de aviso do filtro acenderá para indicar que é hora de limpar ou trocar os filtros.

	O sistema de aviso do filtro não desliga a turbina.
 Atenção	Limpe os filtros frequentemente. Filtros entupidos podem causar aquecimento excessivo e possíveis danos na turbina.

## 4 INÍCIO DA OPERAÇÃO



Antes de conectar a rede elétrica, certifique-se de que a tensão dela corresponda à tensão de operação na placa de classificação. A unidade deve ser conectada a uma tomada à prova de choque aterrada adequadamente.

1. Aperte a extremidade da mangueira de ar (mola antitorção) no turbocompressor. Acople a mangueira de ar à pistola de pulverização de tinta.
2. Abra a alavanca de fechamento no recipiente de tinta e remova-o.
3. Encha o recipiente de tinta com o material de revestimento.
4. Verifique se a vedação do recipiente de tinta está limpa e posicionada corretamente.
5. Prenda o recipiente na pistola de pulverização e fixe-o com a alavanca de fechamento.
6. Ligue o turbocompressor.
7. Aponte a pistola de pulverização de tinta para o objeto a ser pintado.
8. Determine as configurações do padrão de pulverização, a largura do jato de pulverização, a quantidade de material, a quantidade de ar e as configurações do tubo de alimentação ascendente. Veja as figuras 4 a 10 e a página de descrição 63/64.
9. Opere o gatilho da pistola de pulverização de tinta.

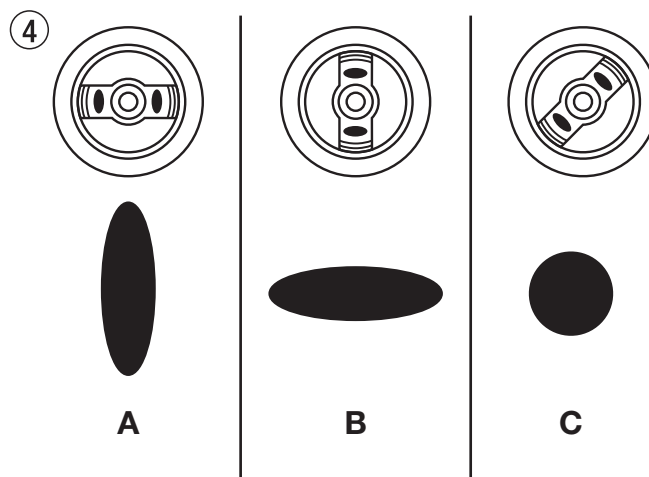
### 4.1 CONFIGURAÇÃO DA PISTOLA DE PULVERIZAÇÃO FC9900 PLUS

#### SELEÇÃO DO PADRÃO DE PULVERIZAÇÃO (FIG. 4)

**A** = jato plano vertical para superfícies horizontais

**B** = jato plano horizontal para superfícies verticais

**C** = jato redondo para cantos, bordas e lugares de difícil acesso

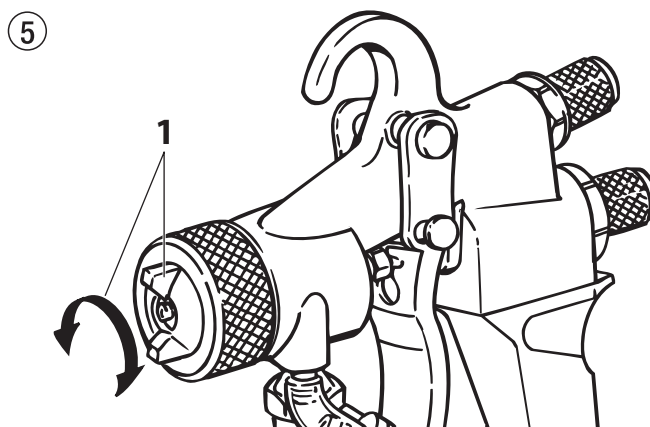


#### CONFIGURAÇÃO DO PADRÃO DE PULVERIZAÇÃO NECESSÁRIO (FIG. 5)

Gire a tampa de ar (1) até a posição do padrão de pulverização necessário.



Nunca puxe o gatilho ao ajustar as configurações da tampa de ar.

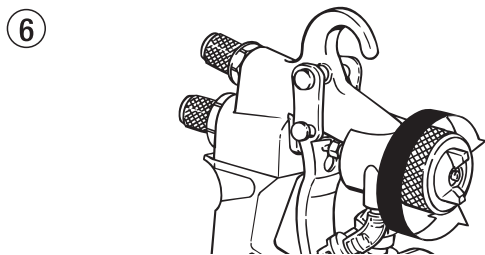


**CONFIGURAÇÃO DA LARGURA DO JATO DE PULVERIZAÇÃO (FIG. 6)**

**Anel de ajuste**

Giro para a direita = jato de pulverização mais largo  
 Giro para a esquerda = jato de pulverização mais estreito

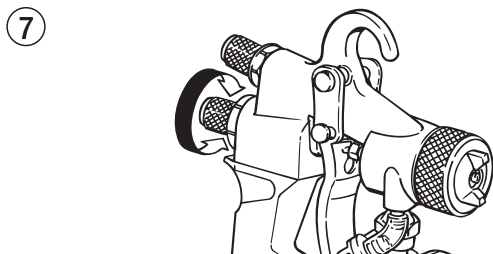
<b>i</b>	O anel de ajuste não fixa a tampa de ar!
----------	--



**CONFIGURAÇÃO DA QUANTIDADE DE MATERIAL (FIG. 7)**

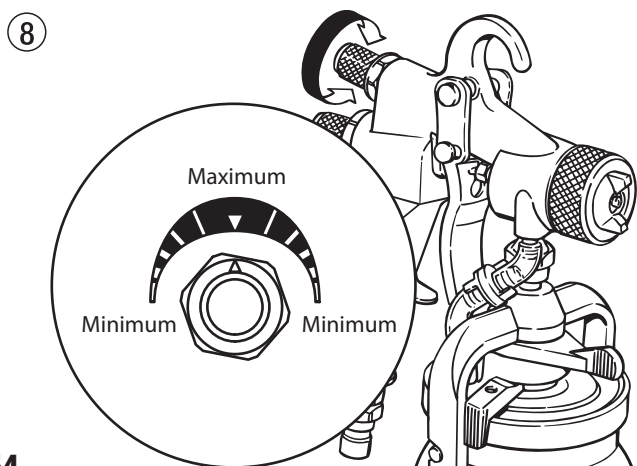
Configure a quantidade de material girando o botão de ajuste de material.

Giro para a esquerda = mais material  
 Giro para a direita = menos material



**CONFIGURAÇÃO DA QUANTIDADE DE AR (FIG. 6)**

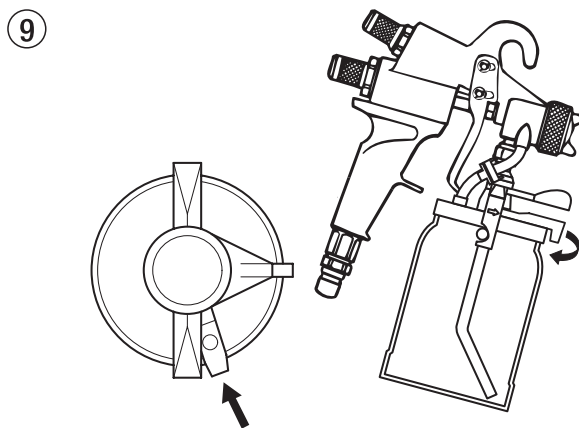
A configuração correta para a quantidade de ar é decisiva para a atomização e formação de névoa de tinta.



**CONFIGURAÇÃO DO TUBO DE ALIMENTAÇÃO ASCENDENTE**

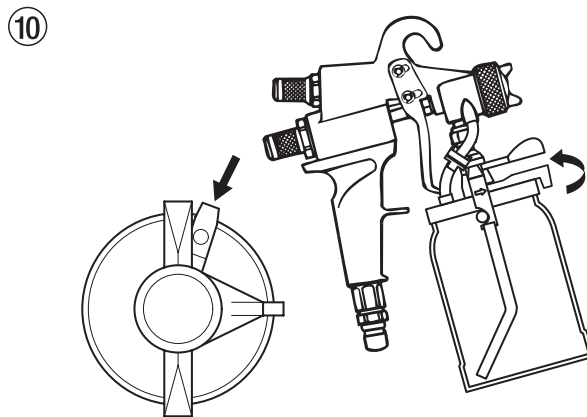
**PULVERIZAÇÃO DE OBJETO NO CHÃO (FIG. 9)**

Gire a alavanca giratória no sentido horário até onde for possível.



**PULVERIZAÇÃO DE OBJETO SUSPENSO (FIG. 10)**

Gire a alavanca giratória no sentido anti-horário até onde for possível.





## 5 TÉCNICA DE PULVERIZAÇÃO

Segure a pistola de pulverização de tinta na vertical e mantenha uma distância constante de cerca de 3 a 20 cm do objeto a ser pulverizado.

Mova a pistola de pulverização de tinta uniformemente de um lado para outro ou de cima para baixo. Se a pistola for movida uniformemente, produzirá um acabamento de superfície uniforme. Não haverá escorrimentos se a velocidade estiver correta.

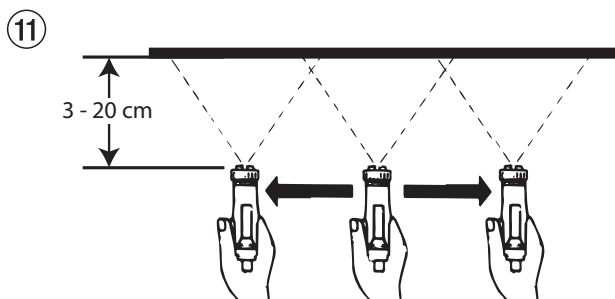
Sempre comece a pulverizar longe do objeto e evite parar a pulverização enquanto ainda estiver nele.



Se for usada a configuração de jato redondo, a distância poderá ser aumentada de acordo com o tamanho do objeto que está sendo pulverizado.

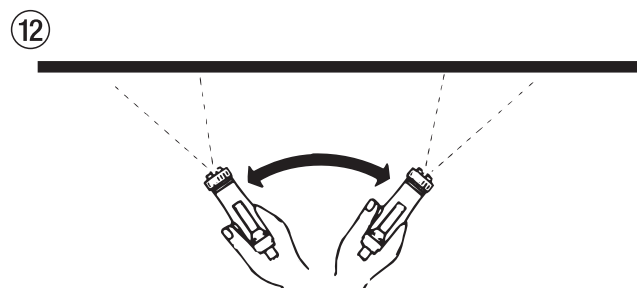
- Em caso de formação excessiva de névoa de tinta, ajuste o fluxo de ar e material, respectivamente, e altere a distância do objeto.

### CERTO



### ERRADO

Formação exagerada de névoa de tinta; acabamento irregular da superfície.

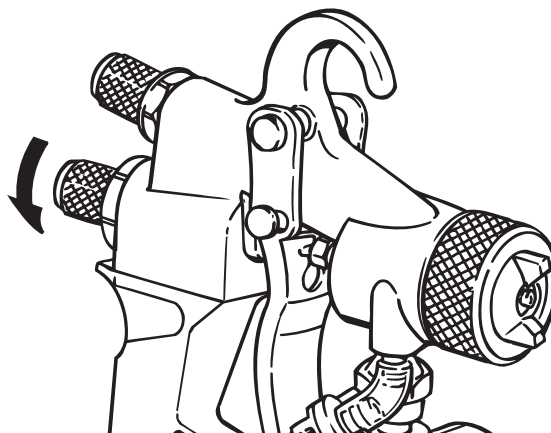


### 5.1 PAUSAS DURANTE O TRABALHO

1. Gire o botão de ajuste do material para a direita até onde for possível (fig. 13).

Isso evitará a operação não intencional da pistola de pulverização de tinta.

13



2. Desligue a unidade.

## 6 CONCLUSÃO DO TRABALHO E LIMPEZA DA UNIDADE

1. Desligue a unidade.
2. Segure a pistola de pulverização de tinta no recipiente original. Pressione o gatilho para liberar a pressão do recipiente da pistola de pulverização.
3. Solte a alavanca de fechamento do recipiente de tinta e remova-o.
4. Esvazie o material de revestimento restante no recipiente original.
5. Encha o recipiente da pistola de pulverização com solvente ou água e coloque-o na pistola.



Utilize apenas solventes com ponto de ignição acima de 21 °C.

6. Agite bem a pistola de pulverização de tinta.
7. Ligue a unidade e pulverize o solvente ou a água em um recipiente aberto.



Nunca pulverize em um recipiente com apenas uma abertura pequena (orifício)!

8. Repita esse procedimento até que o solvente ou a água que sai da ponta esteja clara.

Em seguida, esvazie completamente o recipiente de tinta.



Nunca deixe solventes no recipiente da pistola de pulverização. Isso pode fazer com que se acumule pressão no recipiente.

Sempre mantenha a vedação do recipiente de tinta limpa de resíduo de material de revestimento e verifique regularmente se há sinais de danos.

9. Desligue a unidade.
10. Limpe as superfícies externas do recipiente de tinta e da pistola de pulverização de tinta com um pano embebido em solvente ou água.



Não deixe a pistola de pulverização FC9900 Plus imersa em solvente por longos períodos! (As vedações e o tubo de ar da válvula de retenção podem inchar, impedindo que funcionem corretamente.)

11. Desaperte o anel de ajuste, remova a tampa de ar e a placa da mola. Desaperte o bocal. Limpe a tampa de ar, a ponta e a agulha com escova e solvente ou água.



Nunca use objetos metálicos afiados para limpar os bocais ou os canais de ar da pistola de pulverização FC9900 Plus.

12. Aplique uma fina camada de óleo sem silicone nas áreas marcadas (fig. 14).

14



13. Se a pistola de pulverização de tinta não for utilizada por um período, ela deverá ser limpa e protegida aplicando uma fina camada de óleo sem silicone.

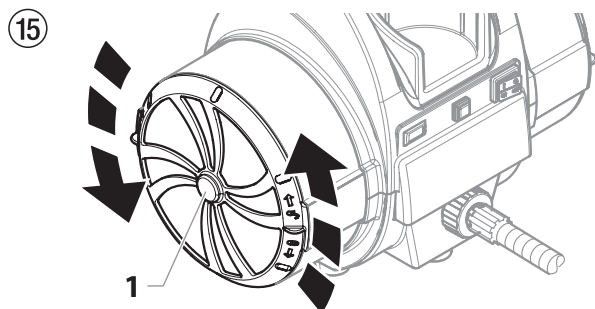
## 7 MANUTENÇÃO

<b>i</b>	O sistema de aviso do filtro não desliga a turbina. Limpe os filtros frequentemente. Filtros entupidos podem causar aquecimento excessivo e possíveis danos na turbina.
----------	---

### 7.1 LIMPEZA/SUBSTITUIÇÃO DOS FILTROS

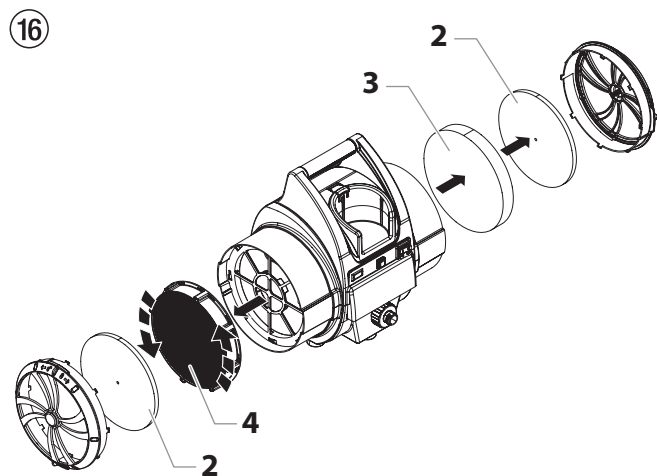
<b>Atenção</b>	Certifique-se de que a turbina esteja desligada antes de trocar os filtros.
----------------	---

1. Remova as tampas do filtro (1) em cada lado da turbina girando-as no sentido anti-horário.



2. Remova cada conjunto de filtro (pré-filtro [2] e filtro [3]) do compartimento do filtro em cada lado da turbina.

<b>i</b>	O filtro com dobras branco (4) é removido da turbina da mesma maneira que a tampa do filtro. Gire no sentido anti-horário para destravar e remover.
----------	---



<b>Atenção</b>	Não utilize solventes altamente inflamáveis, como solvente para verniz, para limpar os filtros.
<b>Atenção</b>	Não mergulhe o filtro com dobras em solventes. Apenas bata de leve no filtro ou use ar comprimido diretamente na parte interna (o lado limpo).

3. Limpe os filtros. Bata de leve em ambos os filtros para remover os contaminantes ou utilize ar pressurizado para soprar os contaminantes. Para materiais que não saiam facilmente com sopro de ar ou batidas leves, mergulhe o filtro em água com sabão ou em aguarrás. Deixe que os filtros sequem completamente antes de colocá-los novamente na turbina.
4. Insira cada filtro de volta em seu compartimento de filtro correspondente.

<b>i</b>	Certifique-se de que o filtro com dobras branco esteja encaixado com segurança nos raios do compartimento do filtro. Gire no sentido horário para fixar na posição.
----------	---

5. Recoloque as tampas do filtro em cada lado da turbina girando-as no sentido horário.

<b>i</b>	Após muitas limpezas, pode ser necessário substituir os filtros. Consulte a lista de peças quase no fim desse manual para obter o número de peça do kit de substituição de filtro.
----------	--

### 7.2 LIMPEZA DAS MANGUEIRAS DE AR

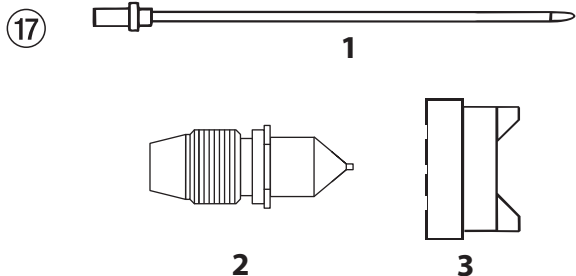
1. Limpe periodicamente a superfície externa da mangueira de ar com um pano para mantê-la limpa.

<b>Atenção</b>	NÃO mergulhe nem lave a mangueira de ar com água ou qualquer componente químico. NÃO utilize butanona (MEK), nafta, destilados minerais, solventes de tinta, xileno, ou tolueno para limpar a mangueira de ar. A exposição excessiva pode danificar a mangueira. Armazene em local coberto, com o cabo enrolado em torno da alça.
----------------	---

## 8 ESCOLHA DE UM CONJUNTO PROJETOR



Sua pistola de pulverização de HVLP deve ser equipada com o conjunto projetor adequado para o tipo de trabalho que você realizará. Um conjunto projetor é composto por um conjunto de agulha (Fig. 17, item 1), um bocal de fluido (2) e uma tampa de ar (3).

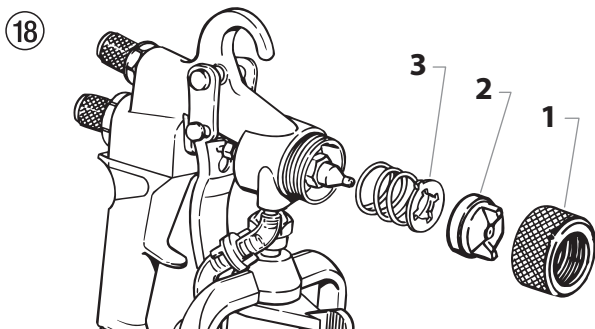


Você deve escolher um conjunto projetor baseado em duas coisas: o tipo de material a ser pulverizado e o acabamento desejado.

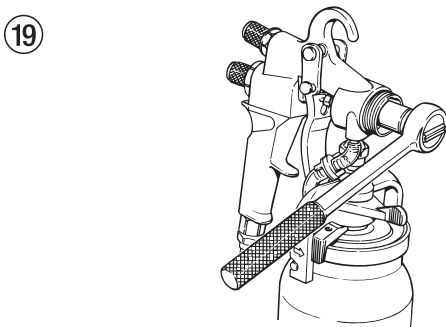
A tabela na página seguinte deve ajudá-lo a fazer a escolha certa.

### 8.1 TROCA DE UM CONJUNTO PROJETOR

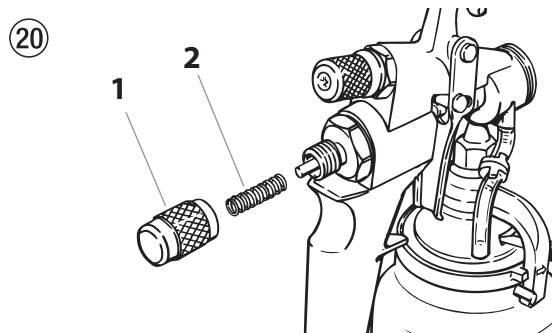
1. Remova o anel da tampa de ar (Fig. 18, item 1), a tampa de ar (2) e a placa da mola (3).



2. Remova o bocal de fluido.



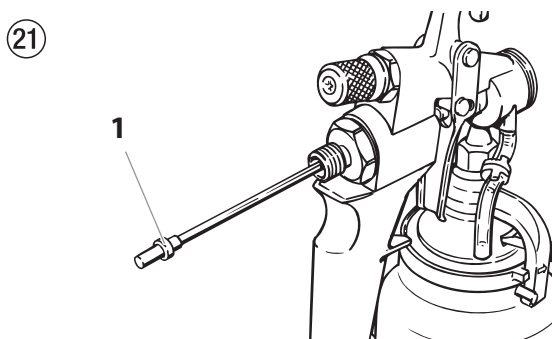
3. Remova o botão de ajuste de fluxo de material (Fig. 20, item 1) e a mola (2).



4. Remova a agulha (Fig. 21, item 1).



Se a agulha não deslizar para fora facilmente, solte a porca da gaxeta para evitar danos à agulha ou gaxeta.



5. Instale o novo conjunto projetor na ordem inversa.

## 9 TABELA DE REDUÇÃO DE MATERIAL/CONJUNTO PROJETOR

Antes da pulverização, o material que está sendo usado deve ser diluído com um solvente apropriado e o conjunto projetor adequado deve ser instalado. É sempre melhor seguir as recomendações dos fabricantes de materiais e os procedimentos de diluição.

Existem dois métodos simples de medir a espessura adequada de um material:

1. Mergulhe uma vareta de misturar tinta no material e remova-a, observando atentamente o material escorrer. Quando o material começar a formar gotas, estas deverão cair com um intervalo de cerca de 1 segundo.
2. Use um copo de viscosidade (P/N 0153165). Mergulhe o copo no material e remova-o. Use um relógio para cronometrar quanto tempo o material leva para sair do copo em fluxo contínuo. Quando o fluxo contínuo for interrompido, pare de cronometrar e consulte a tabela abaixo. Adicione o solvente apropriado e continue testando até atingir a espessura apropriada para o tipo de material que está usando.

MATERIAL	DIN-S DE VISCOSIDADE (COPO DIN DE 4 MM)	CONJUNTO PROJETOR
Tintas de verniz à base de solvente	15 - 45	3 - 4
Tintas de verniz à base de água	Observe as instruções do fabricante	4 - 5
Conservantes de madeira (esfumados, mordentes, etc.)	Não diluído	2 - 3
Tinta multicolor, materiais de efeito multicolor	Observe as instruções do fabricante	6 - 7
Textura e tintas de efeito	Observe as instruções do fabricante	5 - 6

## 10 SOLUÇÃO DE PROBLEMAS

Tipo de defeito	Possível causa	Medidas para eliminar o defeito
A. Fluxo de ar restrito ou sem fluxo de ar	<ol style="list-style-type: none"> <li>1. O Botão de ajuste de fluxo de ar na pistola de pulverização está desligado</li> <li>2. Os filtros de ar estão entupidos</li> </ol>	<ol style="list-style-type: none"> <li>1. Ajuste o botão de ajuste de fluxo de ar</li> <li>2. Limpe ou substitua os filtros</li> </ol>
B. A luz de aviso do filtro está ligada	<ol style="list-style-type: none"> <li>1. Os filtros de ar estão entupidos</li> </ol>	<ol style="list-style-type: none"> <li>1. Limpe ou substitua os filtros</li> </ol>
C. A turbina não tem energia	<ol style="list-style-type: none"> <li>1. Sem energia na alimentação</li> <li>2. O disjuntor desligou.</li> <li>3. Escovas da turbina gastas</li> </ol>	<ol style="list-style-type: none"> <li>1. Verifique a alimentação de energia</li> <li>2. Reinicie o disjuntor. Se o problema persistir, inspecione a turbina em um centro de manutenção Wagner autorizado</li> <li>3. Substitua as escovas em um centro de manutenção Wagner autorizado</li> </ol>
D. Geração de arcos/faísca excessiva na turbina	<ol style="list-style-type: none"> <li>1. Escovas da turbina gastas</li> <li>2. Computador danificado</li> </ol>	<ol style="list-style-type: none"> <li>1. Substitua as escovas em um centro de manutenção Wagner autorizado</li> <li>2. Substitua a turbina (entre em contato com um técnico de manutenção da Wagner)</li> </ol>



O motor da turbina pode ser danificado se sua manutenção não for realizada adequadamente. Solicite a verificação das escovas (P/N 0276878) quanto a desgaste por um centro de manutenção autorizado a cada 400 horas.

Limpe os filtros frequentemente. Filtros entupidos podem causar aquecimento excessivo e possíveis danos na unidade.

Para obter informações adicionais de solução de problemas, consulte o manual que vem com sua pistola.

### 10.1 SERVIÇO

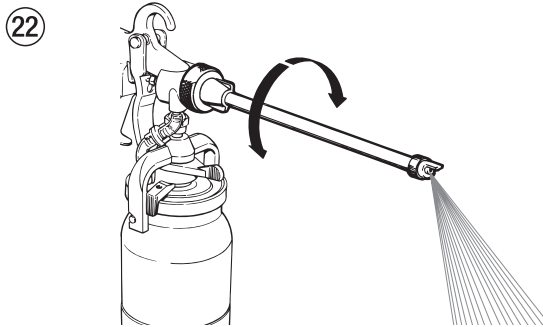
Caso seu sistema de pulverização precise de manutenção durante o período de garantia, devolva a unidade e o comprovante de compra para o distribuidor onde ele foi adquirido. A nosso critério, a unidade será consertada ou substituída. Em um comprometimento contínuo de melhorar a qualidade, nos reservamos o direito de fazer alterações de componentes ou no projeto quando necessário.

## 11 ACESSÓRIOS ESPECIAIS

### PONTA DE EXTENSÃO RN 30 (FIG. 22)

para radiadores canelados, 30 cm de comprimento.

No. da peça **0261 020**



### LANÇA DE PULVERIZAÇÃO WSL 50 (FIG. 23)

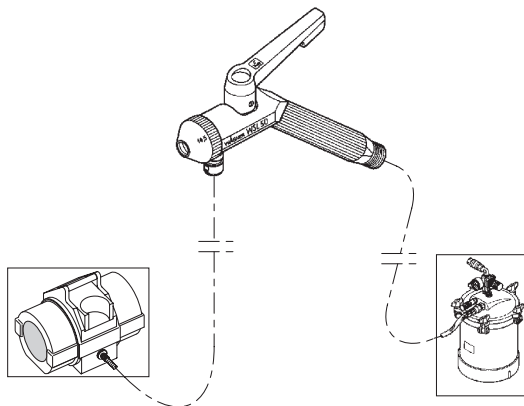
#### Área de aplicação

Trabalho de renovação e reparo

Para tetos e paredes

Material fornecido por meio de um tanque de pressão disponível comercialmente.

No. da peça **0261 023**

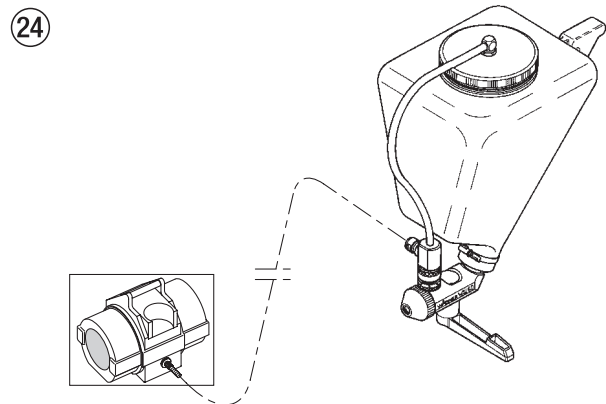


### LANÇA DE PULVERIZAÇÃO WSL 60 (FIG. 24)

**Quando os materiais de revestimento podem ser usados?**

Materiais de revestimento que, devido às suas propriedades, não podem ser usados com uma pistola de pulverização de tinta (por exemplo, madeira líquida, revestimento de efeito multicolor, gesso decorativo, textura e enchimento por pulverização, etc.).

No. da peça **0261 024**

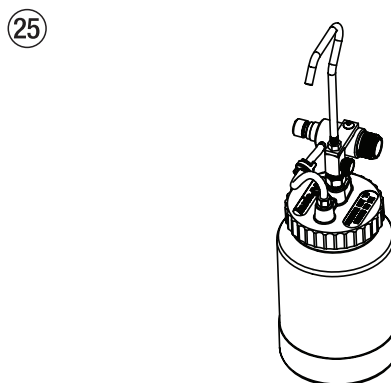


### CARRINHO ELÉTRICO (POWER CART)

No. da peça **0524 001**

### TANQUE DE PRESSÃO REMOTA DE 1,9 L (FIG. 25)

No. da peça **0524 230**



**3 + 2 ANOS DE GARANTIA NESTE PRODUTO DE CONSTRUÇÃO WAGNER****(Edição de 03.03.2022)**

A WAGNER fornece exclusivamente ao comprador comercial que tenha adquirido o produto a um comerciante especializado autorizado (doravante designado por “Cliente”) uma garantia para os produtos indicados no site em <https://go.wagner-group.com/3plus2-info>, para além dos regulamentos legais da garantia, a menos que haja uma exclusão da garantia.

O período de garantia dos produtos (equipamentos) WAGNER no setor da construção é de 36 meses e começa a partir da data de compra da compra inicial. Se o produto for registado no site <https://go.wagner-group.com/3plus2> nos 28 dias a partir da data de compra, o prazo de vigência da garantia é prolongado por 24 meses.

Em caso de aluguer comercial, utilização industrial (por exemplo, aplicação em regime de turnos) ou trabalho equivalente, o período de garantia é de 12 meses devido ao esforço significativamente mais elevado. Neste caso, reservamo-nos o direito de realizar um teste individual e, se necessário, rejeitar a garantia.

Caso os defeitos de material, processamento ou desempenho do equipamento se tornem visíveis durante o período de garantia, as reclamações de garantia devem ser reivindicadas imediatamente, o mais tardar num período de 2 semanas após a deteção do defeito.

As condições detalhadas de garantia estão disponíveis a pedido dos nossos parceiros WAGNER autorizados (ver website ou manual de instruções), ou em forma de texto, na nossa página de Internet:

<https://go.wagner-group.com/pf-warranty-conditions>



<b>1</b>	<b>NORMAS DE SEGURIDAD</b>	<b>73</b>
1.1	Explicación de los símbolos utilizados	73
1.2	Peligros para la seguridad	73
1.3	Seguridad eléctrica	74
<b>2</b>	<b>INTRODUCCIÓN</b>	<b>75</b>
2.1	Datos técnicos	75
<b>3</b>	<b>USO DE UN SISTEMA DE PULVERIZACIÓN HVLP</b>	<b>76</b>
3.1	Instalación	76
3.2	Sistema de filtrado doble	76
3.3	Sistema de advertencia de filtro	76
<b>4</b>	<b>PUESTA EN SERVICIO</b>	<b>77</b>
4.1	Ajuste de la pistola de pulverización FC9900 Plus	77
<b>5</b>	<b>TÉCNICA DE PULVERIZACIÓN</b>	<b>79</b>
5.1	Interrupción del trabajo	79
<b>6</b>	<b>PUESTA FUERA DE SERVICIO Y LIMPIEZA DEL EQUIPO</b>	<b>80</b>
<b>7</b>	<b>MANTENIMIENTO</b>	<b>81</b>
7.1	Limpieza/Sustitución de los filtros	81
7.2	Limpieza de las mangueras de aire	81
<b>8</b>	<b>ELECCIÓN DE UN CONJUNTO DE PROYECTOR</b>	<b>82</b>
8.1	Cambio de un conjunto de proyector	82
<b>9</b>	<b>TABLA DE REDUCCIÓN DE MATERIALES/ CONJUNTO DE PROYECTOR</b>	<b>83</b>
<b>10</b>	<b>PROCEDIMIENTO EN CASO DE AVERÍAS</b>	<b>83</b>
10.1	Servicio	83
<b>11</b>	<b>ACCESORIOS ESPECIALES</b>	<b>84</b>

<b>3 + 2 AÑOS DE GARANTÍA PARA ESTE PRODUCTO PARA PROFESIONALES DE WAGNER</b>	<b>85</b>
---	-----------

<b>PIEZAS DE RECAMBIO</b>	<b>86</b>
Lista de repuestos para el conjunto principal	86
Lista de repuestos para el conjunto de turbina	88
Lista de repuestos para el conjunto de la carcasa superior	90
Lista de repuestos para el conjunto de la carcasa inferior	92

<b>DIAGRAMA DE CABLEADO</b>	<b>94/95</b>
-----------------------------	--------------

<b>CE DECLARACIÓN DE CONFORMIDAD</b>	<b>96/97</b>
--------------------------------------	--------------

<b>AGENCIAS DE SERVICIO TÉCNICO WAGNER</b>	<b>99/100</b>
--	---------------



# 1 NORMAS DE SEGURIDAD

## 1.1 EXPLICACIÓN DE LOS SÍMBOLOS UTILIZADOS

El presente manual contiene información que deberá leer y comprender bien antes de utilizar el equipo. Cuando llegue a una sección que tenga uno de los siguientes símbolos, preste especial atención y asegúrese de que se cumplen las medidas de seguridad.



→ Este símbolo indica un peligro potencial que puede provocar lesiones graves e incluso la muerte. A continuación se incluye información importante de seguridad.



→ Este símbolo indica un peligro potencial para usted o para el equipo. A continuación se incluye información importante para evitar daños al equipo o evitar situaciones que podrían provocar lesiones de segundo orden.



→ Peligro de quemadura en la piel



→ Peligro de incendio



→ Peligro de explosión



→ Mezclas de vapores tóxicos y/o inflamables. Peligro de intoxicación y quemadura



→ Lleve protección para los oídos



→ Lleve protección para los ojos



→ Las notas añaden información importante a la que debe prestarse especial atención.

## 1.2 PELIGROS PARA LA SEGURIDAD



### PELIGRO: EL PELIGRO DE EXPLOSIONES A CAUSA DE MATERIALES INCOMPATIBLES

puede provocar lesiones graves o daños materiales.

#### PREVENCIÓN:

- No use materiales que contengan lejía o cloro.
- No use disolventes de hidrocarburo halogenado, como, por ejemplo, cloruro de metileno y 1,1,1-tricloroetano. No son compatibles con el aluminio y pueden provocar una explosión. Si no está seguro de la compatibilidad con el aluminio de un material, contacte con su proveedor.



Una lista de los materiales utilizados en la fabricación del equipo se encuentra disponible a pedido para validar la compatibilidad con el material de recubrimiento que se use.



### PELIGRO: GENERAL

Pueden producirse lesiones graves o daños materiales.

#### PREVENCIÓN:

- Lea todas las instrucciones y precauciones de seguridad antes de utilizar el equipo.
- Cumpla todos los reglamentos locales, estatales y nacionales pertinentes relativos a ventilación, prevención de incendios y funcionamiento.
- Emplee solamente piezas autorizadas por el fabricante. El usuario asumirá todos los riesgos y toda la responsabilidad cuando utilice piezas que no cumplan con las especificaciones mínimas y dispositivos de seguridad del fabricante de la bomba.
- Cada vez que vaya a utilizar el equipo, compruebe antes todas las mangueras en busca de cortes, fugas, abrasión o bultos en la cubierta. Compruebe el movimiento de los acoplamientos y si están dañados. Sustituya inmediatamente una manguera si descubre alguna de estas anomalías. No repare nunca una manguera. Reemplácela con un repuesto idéntico.
- NUNCA dirija la pistola a ninguna parte del cuerpo.
- Use ropa adecuada para no mancharse la piel o el cabello con pintura.
- Lleve protección para los oídos.
- No pulverice en exteriores en días con viento.

- No deje nunca este equipo sin supervisión. Manténgalo lejos de los niños o de cualquier persona que no esté familiarizada con la operación del equipo HVLP.



**PELIGRO: VAPORES PELIGROSOS**

Las pinturas, disolventes, insecticidas y otros materiales pueden ser perjudiciales si se inhalan o entran en contacto con el cuerpo. Los vapores pueden provocar náuseas intensas, desmayos o envenenamiento.

**PREVENCIÓN:**

- Use una careta o mascarilla en caso de que puedan inhalarse vapores. Lea todas las instrucciones facilitadas con la mascarilla para asegurarse de que proporciona toda la protección necesaria.
- Lleve gafas protectoras.
- Lleve las ropas de protección exigidas por el fabricante del material.



**PELIGRO: QUEMADURAS EN LA PIEL**

Las piezas calientes pueden provocar graves quemaduras en la piel.

**PREVENCIÓN:**

- Los acoples de desconexión rápida de la manguera y la pistola pulverizadora se pueden calentar durante la operación. Evite el contacto de la piel con tales acoples cuando estén calientes. Permita que los acoples de desconexión rápida se enfríen antes de desconectar la pistola pulverizadora de la manguera.



**PELIGRO: EXPLOSIONES E INCENDIOS**



Los humos de las pinturas y disolventes pueden explotar o inflamarse, pudiendo provocar lesiones graves y/o daños materiales.

**PREVENTION:**

- Permita una zona de escape amplia y que entre aire fresco para que el aire dentro de la zona de pulverización no acumule vapores inflamables.
- Evite todas las fuentes de ignición, tales como chispas por electricidad estática, aparatos eléctricos, llamas, luces indicadoras, objetos calientes y chispas producidas al conectar y desconectar cables de alimentación o interruptores de luces en funcionamiento.

- El plástico puede producir chispas estáticas. No utilice nunca plásticos para cerrar la zona de pulverización. No emplee tela protectora de plástico cuando pulverice sobre materiales inflamables.
- No fume en la zona de pulverización.
- Debe haber algún extintor de incendios que esté en perfectas condiciones.
- El cable de alimentación debe estar conectado a un circuito puesto a tierra (sólo unidades eléctricas).
- Siga las instrucciones y advertencias del fabricante del material y del disolvente. Familiarícese con la hoja de datos de seguridad de materiales e información técnica del material de recubrimiento para garantizar un uso seguro.
- Sea sumamente cuidadoso al usar materiales con un punto de inflamación inferior a 21° C. El punto de inflamación es la temperatura en la que un líquido puede producir suficientes vapores como para encenderse.
- El objeto a recubrir tiene que disponer de una puesta a tierra.
- Antes de realizar cualquier trabajo en el equipo, desenchufe la clavija de red de la toma de corriente.

**1.3 SEGURIDAD ELÉCTRICA**

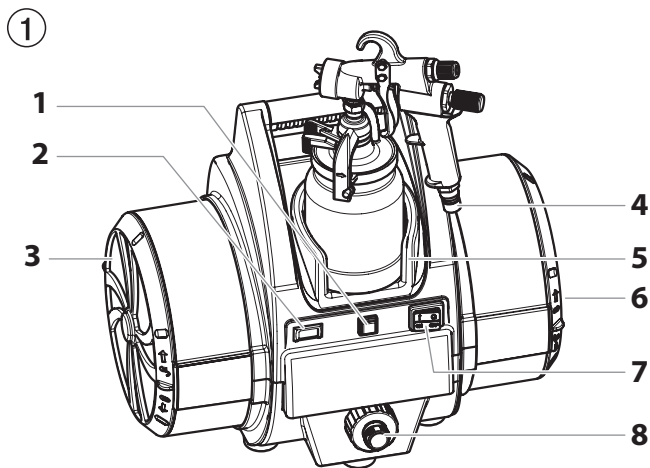
Los modelos eléctricos deben conectarse a tierra. En caso de cortocircuito eléctrico, la puesta a tierra reduce el peligro de descarga eléctrica al proporcionar un hilo de escape para la corriente eléctrica. Este producto está provisto de un cable que tiene un hilo de puesta a tierra con un enchufe de tierra adecuado. Conexión a la red de alimentación sólo a través de un punto de alimentación especial, p.ej. a través de un dispositivo protector contra corriente defectuosa con INF 30 mA.

	<p>PELIGRO — Los trabajos y las reparaciones en el sistema eléctrico deben ser ejecutados únicamente por un electricista cualificado. No asumimos ninguna responsabilidad en caso de una instalación inadecuada. Desconectar el equipo. Antes de toda reparación – extraer la clavija de red de la caja de enchufe.</p>
	<p>Peligro de cortocircuito mediante agua infiltrada en el dispositivo eléctrico. No pulverizar nunca el aparato con detergente o vapor detergente de alta presión.</p>
	<p>Precaución: El cable de alimentación para este equipo funciona como como un conector de circuito de alimentación. El cable de alimentación debe estar ubicado cerca de un enchufe sin obstrucciones y de fácil acceso.</p>

## 2 INTRODUCCIÓN

Este sistema de pulverización de volumen alto / presión baja (HVLP) está diseñado para la aplicación de revestimientos a superficies que pueden ser pulverizadas más rápidamente que pintadas con brocha o rodillo y que son demasiado pequeñas para los sistemas de pulverización sin aire tradicionales. Entre los componentes de este sistema se encuentran un interruptor de encendido, un cable de alimentación, una luz de advertencia del filtro, un conmutador del interruptor automático, un sistema de filtración doble, un soporte del depósito, una manguera de aire y una salida de aire.

La turbina también cuenta con una caja de herramientas, ubicada en la parte posterior, la cual se puede utilizar para guardar conjuntos de proyector u otros repuestos pequeños.



1. Conmutador interruptor automático
2. Luz de advertencia de filtro
3. Filtro
4. Admisión de aire
5. Portacubetas
6. Filtro (en el extremo del alojamiento cilíndrico del filtro)
7. Interruptor de energía
8. Salida de aire

\* No se muestra la manguera de aire

Con este sistema de pulverización HVLP, se puede lograr el acabado profesional de la calidad más alta posible con poco o ningún tiempo de preparación o de instalación. Le rogamos repase toda la información contenida en este manual antes de utilizar el sistema.

### 2.1 DADOS TÉCNICOS

Tensión	220V-240V~, 50/60 Hz
Potencia absorbida P1	1836 W
Consumo de corriente máx	9,0A
Presión de aire	0,72 bar
Revoluciones	21 000 rpm
Peso de la turbina	15 kg
Cable de red	3 m
Volumen del recipiente	1 liter
Peso de la manguera principal	9,1 m
Longitud de la conexión flexible de la manguera	1,5 m
Juego de toberas (estándar)	No. 4 (1.8 mm)
Temperatura de recubrimiento máx. permitida	43°C
Velocidad típica del flujo de recubrimiento	0,35 l/min
Nivel de presión sonora máx.	
Turbosoplador	75 dB (A) *
Pistola de pulverización	76 dB (A)

\* Lugar de medición: distancia lateral 1 m y 1,60 m encima del equipo, suelo anticústico

\*\* Lugar de medición: distancia 2,5 m del equipo y 1,60 m sobre el suelo.

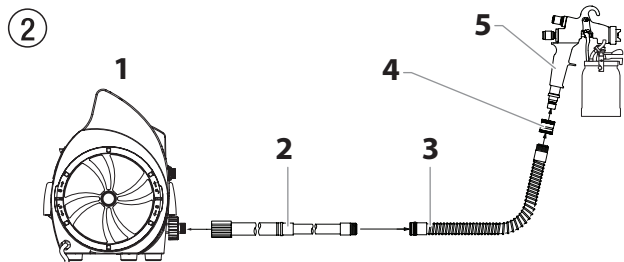
### 3 UTILIZACIÓN DE UN SISTEMA DE PULVERIZACIÓN HVLP

<b>i</b>	Veá la información dada a continuación para operar y entender su sistema de pulverización HVLP.
<b>i</b>	Puede que su sistema incluya una manguera de aire corta (con conexión flexible). La manguera corta se debe conectar a la manguera más larga o a un sistema de pulverización remoto (vendido por separado) y NO directamente a la turbina. Consulte el manual de instrucciones de la pistola pulverizadora para conocer las instrucciones completas.

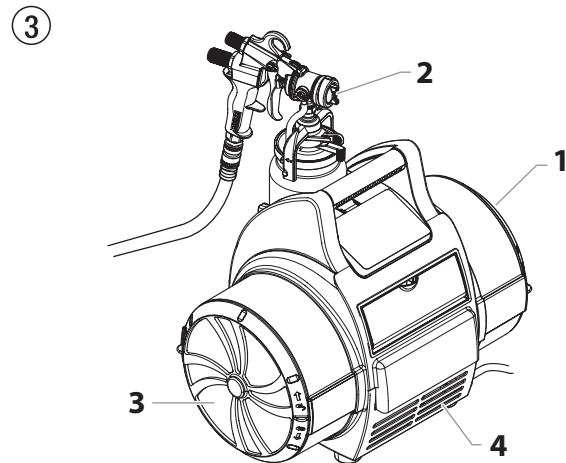
2. Sujete la manguera de aire a la salida de aire de la turbina.
3. Sujete la manguera de aire a la entrada de aire de su pistola de pulverización.
4. Enchufe el cordón de energía de la turbina en una toma de corriente conectada a tierra.
5. Conecte la turbina y comience la pulverización.

#### 3.2 SISTEMA DE FILTRADO DOBLE

La turbina dispone de dos filtros de aire diferentes - uno para el aire de atomizado y otro para el aire de refrigeración. El filtro de aire de atomizado (1) es un filtro de malla fina, de dos etapas, diseñado para atrapar las partículas que podrían estropear su acabado. El aire de atomizado es descargado a través de la boquilla de la pistola de pulverización donde atomiza el material de revestimiento (2). El filtro de aire de refrigeración (3) es un filtro de malla gruesa diseñado para permitir el paso de la cantidad adecuada de aire para refrigeración. El aire de refrigeración escapa a través de la descarga de aire de refrigeración en la parte frontal de la turbina (4).



- |                                     |                          |
|-------------------------------------|--------------------------|
| 1. Turbina                          | 4. Acoplamiento          |
| 2. Manguera de aire                 | 5. Pistola pulverizadora |
| 3. Conexión flexible de la manguera |                          |



#### 3.3 SISTEMA DE ADVERTENCIA DE FILTRO

El sistema de advertencia de filtro de la turbina consiste en una luz roja de advertencia de filtro en el panel frontal de control y un interruptor de flujo de aire dentro de la turbina. Cuando el interruptor de flujo de aire no detecta un flujo de aire del caudal adecuado a través de la turbina, la luz de advertencia de filtro se enciende indicando que es hora de limpiar o de cambiar los filtros.

	<b>Atención</b> No conecte la manguera de aire corta con conexión flexible directamente a la turbina, ya que se puede dañar la manguera.
--	---

#### 3.1 INSTALACIÓN

<b>i</b>	Para preparar su sistema de pulverización HVLP para usarlo, utilice el procedimiento siguiente:
	Mantenga la turbina a la mayor distancia posible de la zona de pulverización, como precaución contra la explosión o el fuego que pudieran ser causados por las chispas producidas por las partes eléctricas.

1. Prepare la pistola para uso. Consulte el manual de su pistola de pulverización para ver la información sobre la preparación del material, el montaje y la pulverización.

	El sistema de advertencia de filtro no para la turbina.
	Limpie los filtros regularmente. Los filtros tapados pueden causar un calor excesivo y posiblemente que la unidad se dañe.

## 4 PUESTA EN SERVICIO

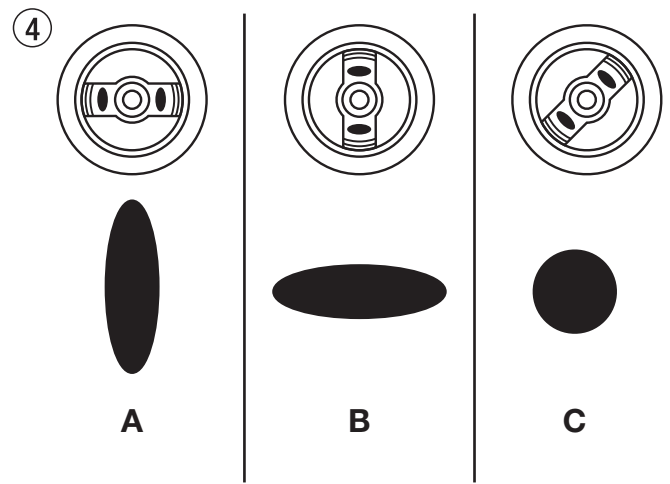
	Antes de efectuar la conexión a la red cerciéndose de que la tensión de red coincide con la tensión de servicio indicada en la placa de características. Efectuar la conexión a través de una toma de corriente con contacto de protección correctamente puesta a tierra.
--	---

1. Enroscar el terminal de la manguera de aire (resorte protector contra dobleces) al turbosoplador. Conectar la manguera de aire a la pistola de pulverización.
2. Abrir la palanca de cierre sobre el depósito de pintura y quitar el depósito.
3. Llenar el material de aplicación en el depósito de pintura.
4. Comprobar el correcto asiento y la limpieza de la junta del depósito de pintura.
5. Encajar el depósito de pintura en la pistola de pulverización y asegurarlo con la palanca de cierre.
6. Conectar el turbosoplador.
7. Dirigir la pistola de pulverización al objeto de trabajo.
8. Fijar la proyección y el ancho del chorro de pulverización, las cantidades de aire y material, y el ajuste del tubo de subida. Ver figuras 4 - 10 y descripción en la página 77/78.
9. Accionar el gatillo de la pistola de pulverización.

### 4.1 AJUSTE DE LA PISTOLA DE PULVERIZACIÓN FC9900 PLUS

#### SELECCIÓN DEL MODO DE APLICACIÓN (FIG. 4)

- A = Chorro en abianco** vertical para superficies horizontales  
**B = Chorro en abianco** horizontal para superficies verticales  
**C = Chorro redondo** para esquinas y cantos, así como zonas de difícil acceso.

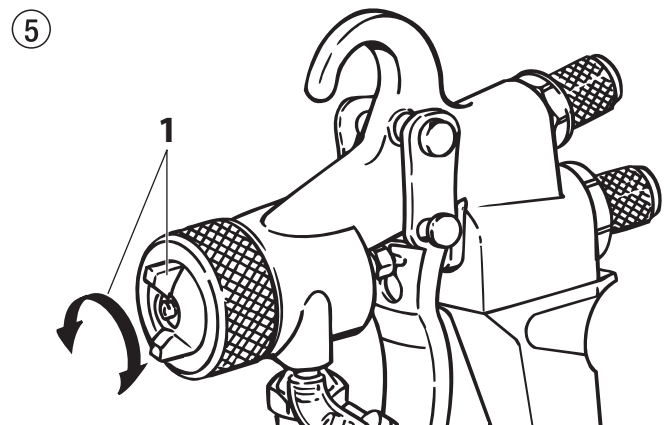


#### LLENAR EL RECIPIENTE DE PINTURA (FIG. 5)

Girar la tapa de aire (1) a la posición de proyección de pulverizado deseada.



No accionar nunca el gatillo mientras se está realizando el ajuste de la tapa de aire.



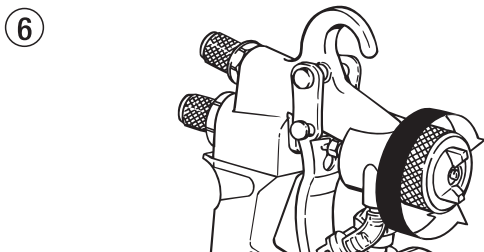
**AJUSTAR EL CHORRO DE PULVERIZACIÓN (FIG. 6)**

**Anillo de regulación**

Giro a la derecha = chorro de pulverización ancho

Giro a la izquierda = chorro de pulverización estrecho

<b>i</b>	¡El anillo de regulación no sirve como medio de fijación de la tapa de aire!
----------	--

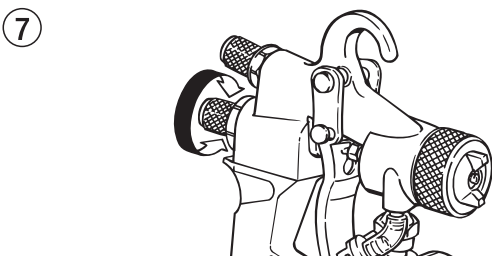


**AJUSTE DE LA CANTIDAD DE MATERIAL (FIG. 7)**

Fijar la cantidad del material al objeto girando el tornillo de regulación del material.

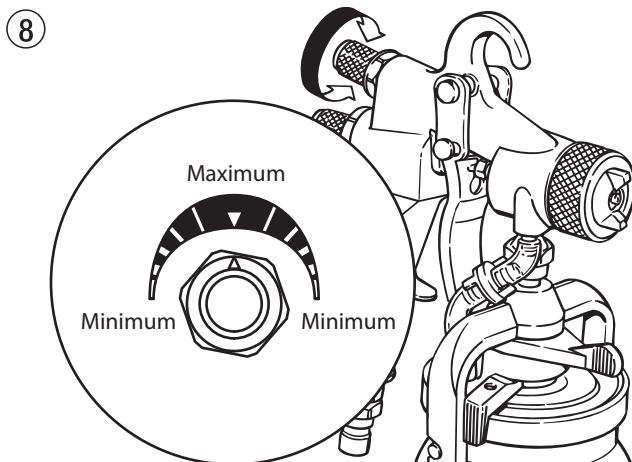
Giro a la izquierda = más material

Giro a la derecha = menos material



**AJUSTE DE LA CANTIDAD DE AIRE (FIG. 8)**

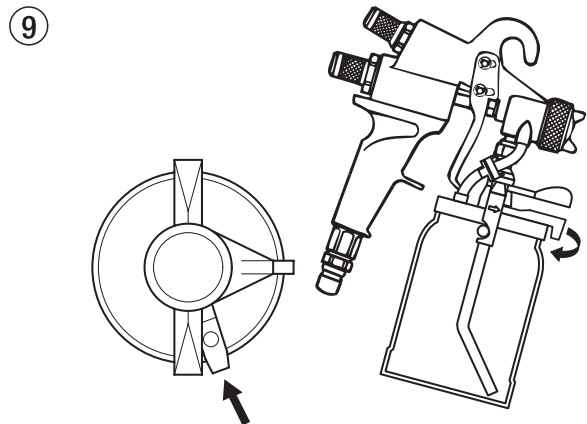
El ajuste correcto de la cantidad de aire es determinante para la pulverización y para la formación de niebla.



**AJUSTE DEL TUBO DE SUBIDA**

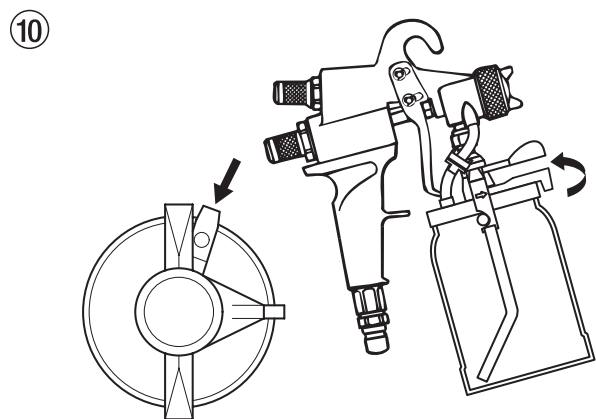
**TRABAJOS DE PULVERIZACIÓN DE OBJETOS ECHADOS (FIG. 9).**

Girar la palanca giratoria en sentido de las agujas del reloj hasta el tope.



**TRABAJOS DE PULVERIZACIÓN DE OBJETOS SITUADOS POR ENCIMA DE LA CABEZA (FIG. 10)**

Girar la palanca giratoria en sentido contrario de las agujas del reloj hasta el tope.



## 5 TÉCNICA DE APLICAR

Mantenga la pistola de pulverización en vertical a una distancia uniforme de aprox. 3 – 20 cm al objeto.

Mueva la pistola con velocidad uniforme o bien transversalmente o en vaivén vertical. El movimiento uniforme de la pistola da una calidad de superficie homogénea. Al aplicar la velocidad correcta de la pistola se obtiene una superficie sin lágrimas.

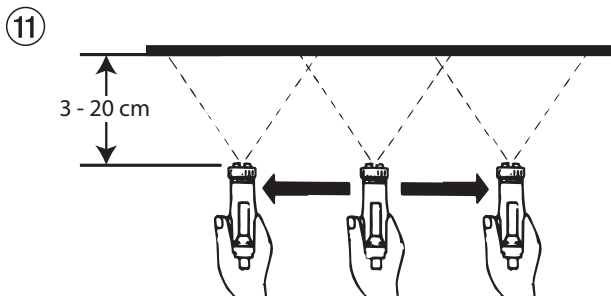
Comenzar el movimiento fuera del objeto y evitar interrupciones al pasar por el objeto.



Al trabajar con el chorro redondo se puede aumentar la distancia de cuerdo con el objeto.

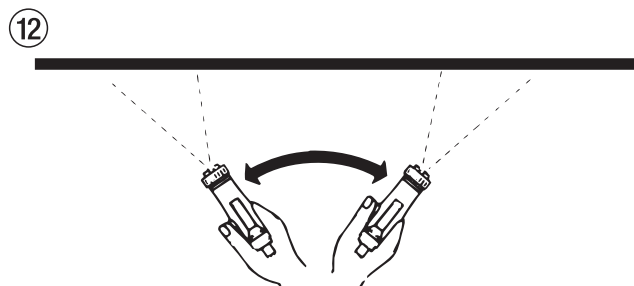
- En caso de una niebla excesiva de pintura se han de optimizar la cantidad de aire y pintura, así como la distancia al objeto.

### CORRECTO



### FALSO

Mucha niebla de pintura calidad de superficie desigual.

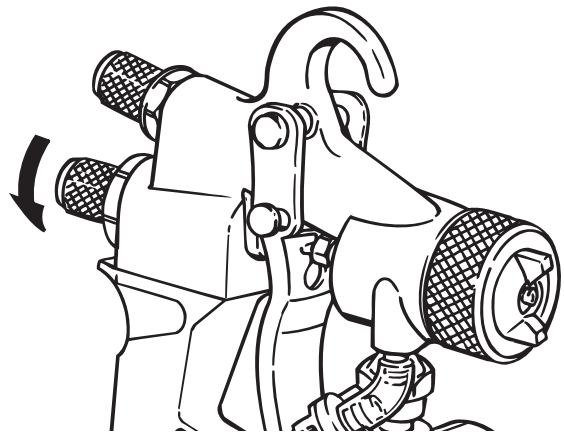


### 5.1 INTERRUPCIÓN DEL TRABAJO

1. Girar el tornillo de regulación de material hasta el tope derecho (Fig. 13).

De este modo la pistola está asegurada no es posible accionar el gatillo.


13




2. Desconectar el equipo.

## 6 PUESTA FUERA DE SERVICIO Y LIMPIEZA DEL EQUIPO

1. Desconectar el equipo.
2. Dirigir la pistola de pulverización hacia dentro del envase original de pintura.  
Accionar el gatillo para descargar la presión en el depósito de pintura.
3. Abrir la palanca de cierre en el depósito de pintura y quitar el depósito.
4. Vaciar el resto de pintura en el envase original de pintura.
5. Llenar disolvente o agua en el depósito de pintura y fijarlo a la pistola.


	Utilizar sólo disolvente con un punto de inflamación superior a 21 °C.
---	--

6. Agitar bien la pistola de pulverización.
7. Conectar el equipo y pulverizar el disolvente o el agua en un depósito abierto.

	¡No pulverizar en depósitos provistos de sólo un pequeño orificio (ojo de barril)! Ver indicaciones de seguridad.
---	---


8. Repetir este proceso hasta que de la tobera salga disolvente o agua limpios.

A continuación vaciar totalmente el depósito de pintura.


	El depósito de pintura no debe permanecer lleno de disolvente, de lo contrario se puede establecer una presión en el depósito.
---	--

Mantener la junta del depósito de pintura siempre libre de residuos de pintura y comprobarla en cuanto a defectos.

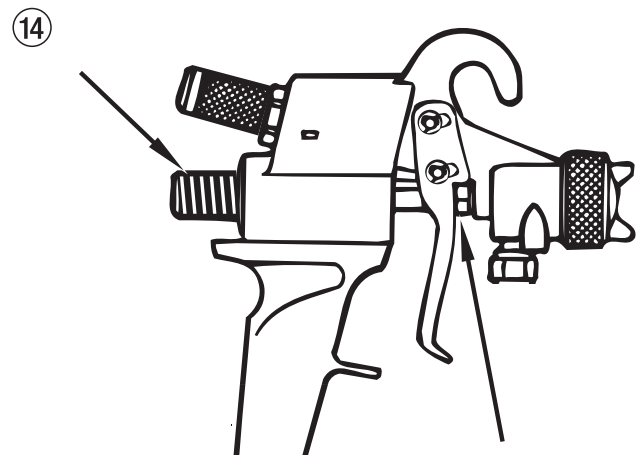
9. Desconectar el equipo.
10. Limpiar el depósito y la pistola exteriormente con un paño impregnado en disolvente o agua.

	¡No sumergir en disolvente la pistola de pulverización FC9900 Plus durante mucho tiempo! La función de las juntas y los tubos de aire en la válvula de retención puede ser limitada a causa del hinchamiento.
---	---

11. Destornillar el anillo de regulación, la tapa de aire, la placa con resorte y la tobera. Limpiar la tapa de aire, la tobera y la aguja con un pincel y disolvente o agua.

	No limpiar nunca los agujeros de tobera o de aire de la pistola de pulverización con objetos metálicos puntiagudos.
---	---

12. En los puntos marcados aceitar ligeramente con aceite libre de silicona (Fig. 14).



13. Si no está previsto usar la pistola de pulverización durante un tiempo prolongado, es conveniente limpiarla y preservarla con aceite libre de silicona.



## 7 MANTENIMIENTO



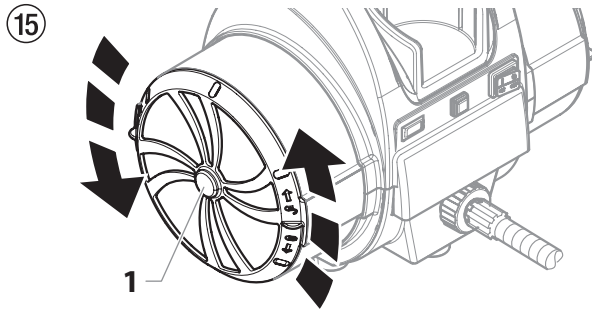
Para mantener su sistema de pulverización HVLP funcionando correctamente siga los procedimientos siguientes.

### 7.1 LIMPIEZA/SUSTITUCIÓN DE LOS FILTROS



Asegúrese de que la turbina esté desconectada antes de cambiar los filtros.

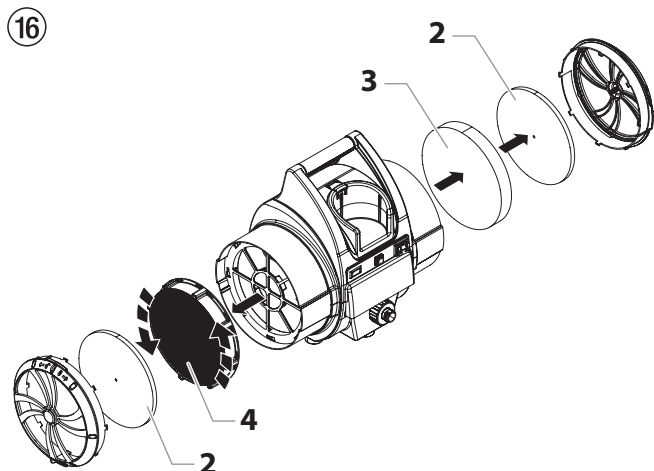
1. Para retirar las tapas de los filtros (1) que se encuentran a cada lado de la turbina, gírelas en sentido contrario a las agujas del reloj.



2. Retire cada conjunto de filtro (prefiltro [2] y filtro [3]) de la carcasa del filtro a cada lado de la turbina.



El filtro plisado blanco (4) se retira de la turbina de la misma forma que la tapa del filtro. Gire en sentido contrario al de las agujas del reloj para desbloquear y retirar.



Para limpiar los filtros, no utilice solventes altamente inflamables tales como diluyente para laca.



No empape el filtro plisado de papel en solventes. Solo golpee suavemente el filtro o use aire comprimido directamente en el interior (lado limpio).

3. Limpie los filtros. Golpee suavemente los filtros o use aire presurizado para eliminar los contaminantes. Para los materiales que no salen con facilidad, sumerja los filtros en agua jabonosa o alcoholes minerales. Deje que los filtros se sequen por completo antes de volver a colocarlos en la turbina.
4. Vuelva a insertar cada filtro en el recipiente del filtro correspondiente.



Asegúrese de que el filtro plisado esté ajustado firmemente en los rayos del recipiente cilíndrico. Gire en el sentido de las agujas del reloj para fijarlo en su lugar.

5. Vuelva a colocar las tapas de los filtros que se encuentran a cada lado de la turbina girándolas en el sentido de las agujas del reloj.



Después de varias limpiezas, puede ser necesario reemplazar los filtros. Diríjase a la lista de piezas, casi al final de este manual, para ver el número de pieza del conjunto de sustitución de filtros.

### 7.2 LIMPIEZA DE LAS MANGUERAS DE AIRE

1. Pase un paño húmedo sobre la superficie exterior de la manguera de aire en forma periódica para mantenerla limpia.



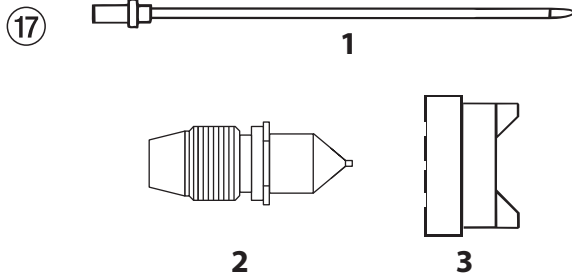
NO sumerja ni purgue la manguera de aire con agua o ningún tipo de sustancia química.  
NO use metilacetona (MEK), nafta, alcoholes minerales, diluyente de pintura, xilol o xileno ni toluol o tolueno para limpiar la manguera de aire. Con el tiempo, la exposición puede causar daños a la manguera.

Guarde la unidad en interiores con el cable enrollado alrededor de la manilla.

## 8 ELECCIÓN DE UN CONJUNTO DE PROYECTOR



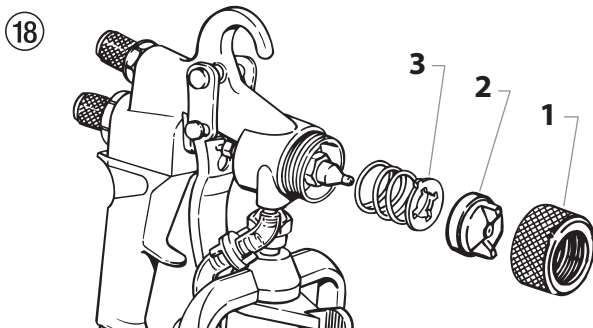
Su pistola pulverizadora HVLP se debe ajustar con el conjunto de proyector adecuado para el tipo de trabajo que vaya a realizar. Un conjunto de proyector se compone de un conjunto de aguja (fig. 17, elemento 1), una boquilla de líquido (2) y un cabezal de aire (3).



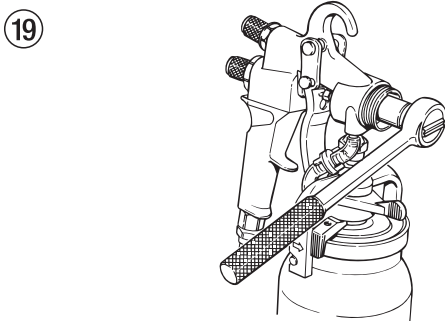
Debe elegir un conjunto de proyector basándose en dos cosas: el tipo de material que vaya a pulverizar y el acabado que desee. La tabla de la página siguiente debiera ayudarle a realizar la elección correcta.

### 8.1 CAMBIO DE UN CONJUNTO DE PROYECTOR

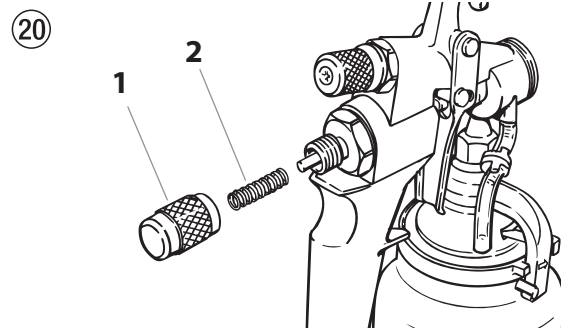
1. Retire el anillo del cabezal de aire (fig. 18, elemento 1), el cabezal de aire (2) y el soporte del muelle (3).



2. Retire la boquilla de líquido.



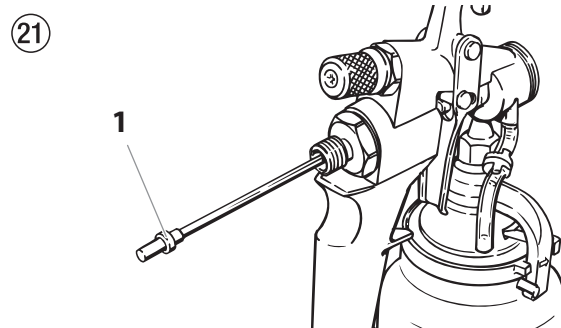
3. Retire la perilla de ajuste de flujo de material (fig. 20, elemento 1) y el resorte (2).



4. Retire la aguja (fig. 21, elemento 1).



Si la aguja no se desliza fácilmente hacia fuera, suelte la tuerca del prensaestopas para evitar que la aguja o la empaquetadura se dañen.



5. Instale el nuevo conjunto de proyector en orden inverso.

## 9 TABLA DE REDUCCIÓN DE MATERIALES/CONJUNTO DE PROYECTOR

Antes de pulverizar, el material que use se debe diluir con un solvente adecuado y se debe instalar el conjunto de proyector adecuado. Siempre es mejor seguir las recomendaciones de los fabricantes de material y los procedimientos de disolución.

Existen dos métodos simples para medir el espesor adecuado de un material:

1. Introduzca un palito de pintura en el material, retírelo y observe con atención cómo se escurre el material. Cuando el material comience a formar gotas, éstas deben caer aproximadamente con un segundo de diferencia.
2. Use un depósito de viscosidad (Nº/P 0153165). Introduzca el depósito en el material y retírelo. Use un reloj de pulsera o cronómetro para cronometrar cuánto demora el material en drenarse del depósito en un flujo continuo. Cuando se interrumpa el flujo continuo, detenga el cronometraje y consulte la tabla que aparece a continuación. Agregue el solvente adecuado y siga probando hasta lograr el espesor adecuado para el tipo de material que utilice.

MATERIAL	VISCOSIDAD DIN-5 (VASO DIN DE 4 MM)	CONJUNTO DE PROYECTOR
Pinturas de esmalte con disolvente	15 - 45	3 - 4
Pinturas de esmalte diluibles en agua	observar la indicaciones del fabricante	4 - 5
Impregnantes madera (lacas incoloras, nogalinas, etc)	sin diluir	2 - 3
Pinturas de efecto multicolor	observar la indicaciones del fabricante	6 - 7
Lacas estructurales y de efectos	observar la indicaciones del fabricante	5 - 6

## 10 PROCEDIMIENTO EN CASO DE AVERÍAS

Avería	Causa posible	Eliminación de la avería
A. Flujo de aire reducido o inexistente	<ol style="list-style-type: none"> <li>1. Botón de ajuste del flujo de aire de la pistola cerrado</li> <li>2. Filtros de aire atascados</li> </ol>	<ol style="list-style-type: none"> <li>1. Ajuste el botón de ajuste del flujo de aire</li> <li>2. Limpie o sustituya los filtros</li> </ol>
B. Luz de advertencia de filtro encendida	<ol style="list-style-type: none"> <li>1. Filtros de aire atascados</li> </ol>	<ol style="list-style-type: none"> <li>1. Limpie o sustituya los filtros</li> </ol>
C. La turbina no tienen energía	<ol style="list-style-type: none"> <li>1. No hay energía en la alimentación de energía</li> <li>2. Se desconectó el interruptor automático.</li> <li>3. Escobillas de la turbina desgastadas</li> </ol>	<ol style="list-style-type: none"> <li>1. Compruebe el suministro de energía</li> <li>2. Reinicie el interruptor automático. Si los problemas persisten, solicite que un centro de servicio técnico autorizado de Wagner inspeccione la turbina.</li> <li>3. Haga que le sustituyan las escobillas en un centro de mantenimiento autorizado Wagner</li> </ol>
D. Salto de arco / chisporroteo excesivo en la turbina	<ol style="list-style-type: none"> <li>1. Escobillas de la turbina desgastadas</li> <li>2. Colector dañado</li> </ol>	<ol style="list-style-type: none"> <li>1. Haga que le sustituyan las escobillas en un centro de mantenimiento autorizado Wagner</li> <li>2. Sustituya la turbina (póngase en contacto con un técnico de mantenimiento de Wagner).</li> </ol>



El motor de la turbina se puede dañar si no se le da servicio de manera apropiada. Pida a un centro de servicio autorizado que verifique el desgaste de las escobillas (P/N 0276878) cada 400 horas.  
 Limpie los filtros regularmente. Los filtros tapados pueden causar un calor excesivo y posiblemente que la unidad se dañe.  
 Vea el manual que viene con la pistola para consultar la información de detección de problemas adicional.

### 10.1 SERVICIO

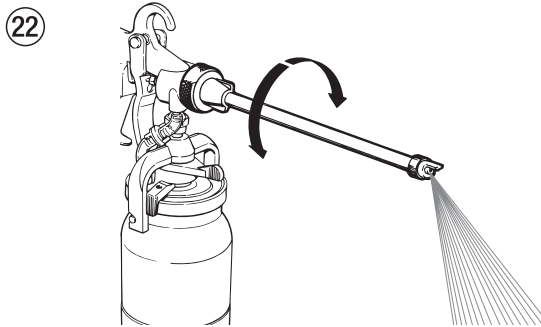
Si su pistola pulverizadora HVLP necesitara un servicio durante el periodo de garantía, devuelva la unidad y la prueba de compra al vendedor donde la adquirió. Siguiendo nuestro criterio repararemos o cambiaremos la unidad. Como una continua obligación para mejorar la calidad, nos reservamos el derecho de añadir componentes o diseñar cambios cuando creamos necesario.

# 11 ACCESORIOS ESPECIALES

## TOBERA DE PROLONGACIÓN RN 30 (FIG. 22)

para pintar radiadores de calefacción, longitud 30 cm.

Nº de pedido. **0261 020**



## LANZA PULVERIZADORA WSL 50 (FIG. 23)

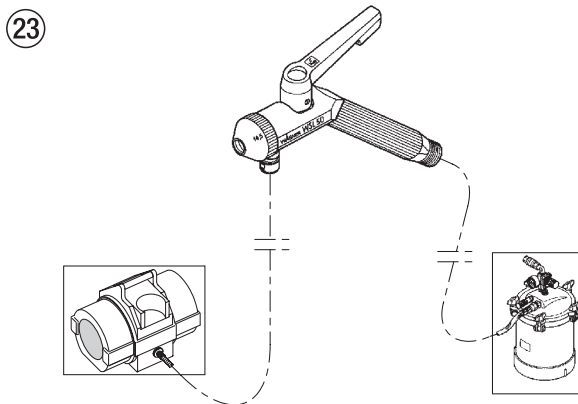
### Campos de aplicación

Renovaciones y reparaciones

Estructuración de techos y paredes

Entrada de material a través del depósito de presión, disponible corrientemente en el comercio.

Nº de pedido **0261 023**

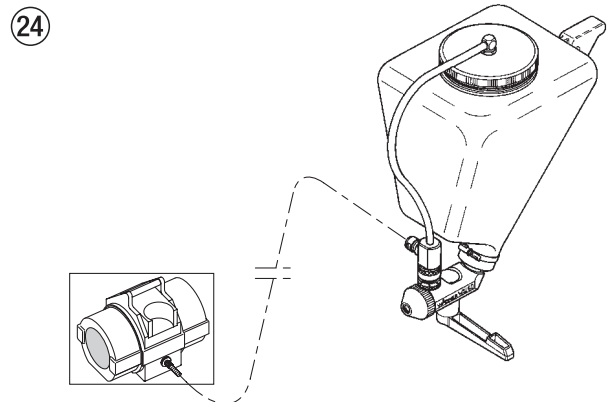


## LANZA PULVERIZADORA WSL 60 (FIG. 24)

Materiales de aplicación procesables Materiales de aplicación que a causa de su disposición no son procesables con una pistola de pulverización, p.ej.:

Fondo basto de fibras, recubrimientos de efecto multicolor, enlucidos decorativos, masas de emplastecer estructuradas y pulverizadas, etc.

Nº de pedido **0261 024**

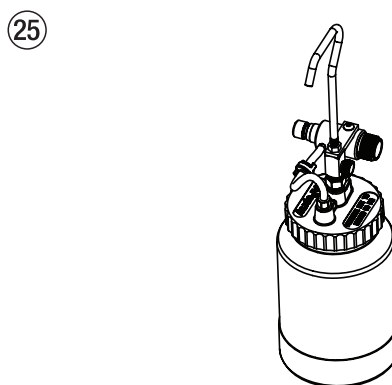


## POWER CART

Nº de pedido **0524 001**

## 1,9 L TANQUE DE PRESIÓN DE APARTE (FIG. 25)

Nº de pedido **0524 230**



**3 + 2 AÑOS DE GARANTÍA PARA ESTE PRODUCTO PARA PROFESIONALES DE WAGNER**

(situación 03.03.2022)

WAGNER ofrece exclusivamente al comprador comercial que haya adquirido el producto en un comercio especializado autorizado (en lo sucesivo, denominado «cliente») una garantía existente para los productos enumerados en internet en <https://go.wagner-group.com/3plus2-info>, además de las regulaciones de garantía legales, siempre y cuando no exista una exclusión de garantías.

El plazo de garantía para los productos WAGNER (dispositivos) de la sección de productos profesionales es de 36 meses y se cuentan a partir de la fecha de la primera compra. El plazo de garantía se puede prolongar otros 24 meses si, tras su adquisición, se registra el producto en internet en <https://go.wagner-group.com/3plus2> dentro de los 28 días posteriores a la compra.

En el caso del alquiler comercial, uso industrial (por ejemplo, el uso en trabajos por turnos) o desgastes comparables, el período de garantía será de 12 meses debido al desgaste significativamente mayor. En este caso, nos reservamos el derecho a realizar una comprobación en casos especiales y, cuando proceda, denegar la garantía.

Si durante el tiempo de garantía se muestran errores en el material, en el procesamiento o en el rendimiento del dispositivo, se podrán hacer valer los derechos de garantía de forma inmediata, pero como máximo en el plazo de 2 semanas desde el momento en el que se hayan detectado los errores.

Puede solicitarle las condiciones detalladas de la garantía a nuestros socios autorizados de WAGNER (véase la página web o las instrucciones de uso) o consultar la versión en texto de nuestra página web:

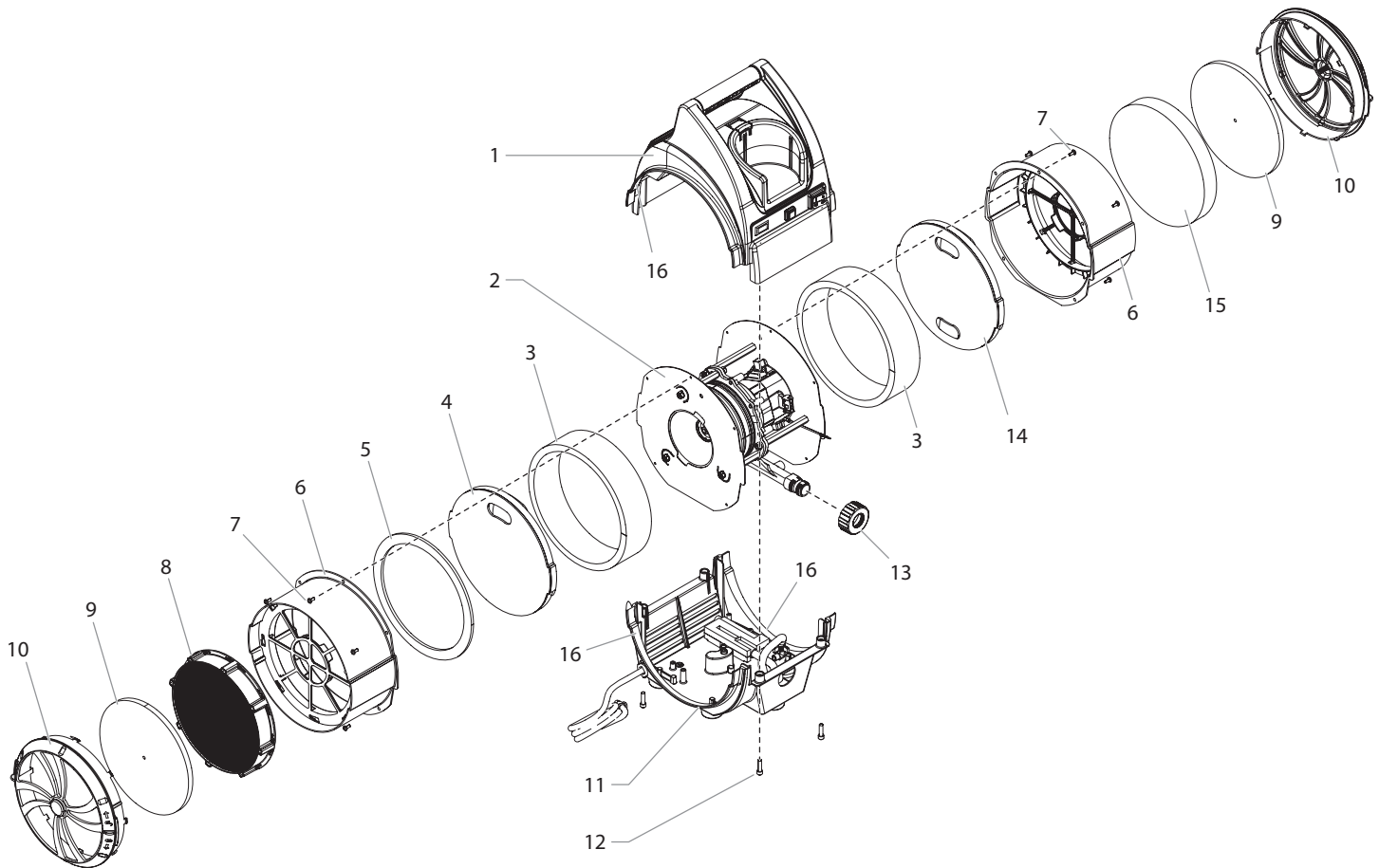
<https://go.wagner-group.com/pf-warranty-conditions>



ILLUSTRATION DES PIÈCES DE RECHANGE

**GB** MAIN ASSEMBLY  
**F** ENSEMBLE PRINCIPAL  
**RFB** CONJUNTO PRINCIPAL

**D** HAUPTBAUGRUPPE  
**I** ASSEMBLAGGIO PRINCIPALE  
**E** CONJUNTO PRINCIPAL



#	FC9900 Plus	Description	Benennung	Désignation
1	-----	Upper housing assembly (see separate listing)	Obere Gehäuseeinheit (siehe separates Verzeichnis)	Ensemble boîtier supérieur (voir la liste séparée)
2	-----	5-Stage turbine assembly, 100V-110V~ (see separate listing)	5-stufige Turbinenanordnung, 100V-110V~ (siehe separates Verzeichnis)	Ensemble turbine à 5 étapes, 100V-110V~ (voir la liste séparée)
	-----	5-Stage turbine assembly, 220V-240V~ (see separate listing)	5-stufige Turbinenanordnung, 220V-240V~ (siehe separates Verzeichnis)	Ensemble turbine à 5 étapes, 220V-240V~ (voir la liste séparée)
3	0524927	Sidewall silencer	Schalldämpfer Seitenwand	Silencieux
4	0524593A	Silencer assembly	Schalldämpfer-Baugruppe	Ensemble silencieux
5	0524524	Sealing foam	Dichtungsschaum	Mousse d'étanchéité
6	0524948A	Filter can	Filterbehälter	Carters de filtre
7	0293395	Screw	Schraube	Vis
8	0524523A	Filter	Filter	Filtre
9	0524526A	Pre-filter	Vorfilter	Préfiltre
10	0524949A	Filter cover	Filterabdeckung	Couvercle de filtre
11	-----	Lower housing assembly (see separate listing)	Untere Gehäuseeinheit (siehe separates Verzeichnis)	Ensemble boîtier inférieur (voir la liste séparée)

#	FC9900 Plus	Description	Benennung	Désignation
12	858-634	Screw	Schraube	Vis
13	0524596	Exhaust ring	Entlüftungsring	Anneau d'échappement
14	0524926	Silencer assembly	Schalldämpfer-Baugruppe	Ensemble silencieux
15	0524528A	Filter	Filter	Filtre
16	0524594	Foam tape	Schaumband	Bande de mousse
	277236	Air hose (not pictured)	Luftschlauch (nicht dargestellt)	Tuyau à air (non illustré)
	50345	Viscosity cup (not pictured)	Viskositätsbecher (nicht dargestellt)	Godet de viscosimètre (non illustré)
	0275625	Quick-disconnect, female (not pictured)	Schnellanschlussbuchse (nicht abgebildet)	Dégagement rapide, femelle (non illustré)
	0524405A	Air hose, whip (not pictured)	Luftschlauch, Schlauchpeitsche (nicht dargestellt)	Tuyau à air, flexible (non illustré)
	0524041	Spray gun, FC9900 Plus (not pictured)	Spritzpistole, FC9900 Plus (nicht dargestellt)	Pistolet de pulvérisation, FC9900 Plus (non illustré)

#	FC9900 Plus	Denominazione	Descrição	Denominación
1	-----	Assemblaggio del vano di alloggiamento superiore (vedere l'elenco separato)	Conjunto do compartimento superior (consulte a lista avulsa)	Conjunto de la carcasa superior (consulte la lista separada)
2	-----	Assemblaggio della turbina a 5 stadi, 100V-110V~ (vedere l'elenco separato)	Conjunto da turbina de 5 estágios, 100V-110V~ (consulte a lista avulsa)	Conjunto de turbina de 5 etapas, 100V-110V~ (consulte la lista separada)
	-----	Assemblaggio della turbina a 5 stadi, 220V-240V~ (vedere l'elenco separato)	Conjunto da turbina de 5 estágios, 220V-240V~ (consulte a lista avulsa)	Conjunto de turbina de 5 etapas, 220V-240V~ (consulte la lista separada)
3	0524927	Silenziatore lato parete	Silenciador lateral	Silenciador de la pared lateral
4	0524593A	Assemblaggio del silenziatore	Conjunto do silenciador	Conjunto de silenciador
5	0524524	Schiuma sigillante	Espuma de vedação	Espuma de sellado
6	0524948A	Scatola del filtro	Lata do filtro	Recipiente del filtro
7	0293395	Vite	Parafuso	Tornillo
8	0524523A	Filtro	Filtro	Filtro
9	0524526A	Prefiltro	Pré-filtro	Prefiltro
10	0524949A	Coperchio del filtro	Tampa do filtro	Tapa del filtro
11	-----	Assemblaggio del vano di alloggiamento inferiore (vedere l'elenco separato)	Conjunto do compartimento inferior (consulte a lista avulsa)	Conjunto de la carcasa inferior (consulte la lista separada)
12	858-634	Vite	Parafuso	Tornillo
13	0524596	Anello di spurgo	Anel de exaustão	Anillo de escape
14	0524926	Assemblaggio del silenziatore	Conjunto do silenciador	Conjunto de silenciador
15	0524528A	Filtro	Filtro	Filtro
16	0524594	Nastro in schiuma	Fita de espuma	Cinta de espuma
	277236	Flessibile dell'aria (non incluso nell'illustrazione)	Mangueira de ar (não exibida)	Manguera de aire (no se muestra)
	50345	Coppa di viscosità (non inclusa nell'illustrazione)	Copo de viscosidade (não exibido)	Depósito de viscosidad (no se muestra)
	0275625	Raccordo a scollegamento rapido, femmina (non incluso nell'illustrazione)	Desconexão rápida, fêmea (não exibida)	Desconexión rápida, hembra (no se muestra)
	0524405A	Flessibile dell'aria, a frusta (non incluso nell'illustrazione)	Mangueira de ar, chicote (não exibida)	Manguera de aire, conexión flexible (no se muestra)
	0524041	Pistola spray, FC9900 Plus (non inclusa nell'illustrazione)	Pistola de pulverização, FC9900 Plus (não exibida)	Pistola pulverizadora, FC9900 Plus (no se muestra)

ILLUSTRATION DES PIÈCES DE RECHANGE

GB TURBINE ASSEMBLY

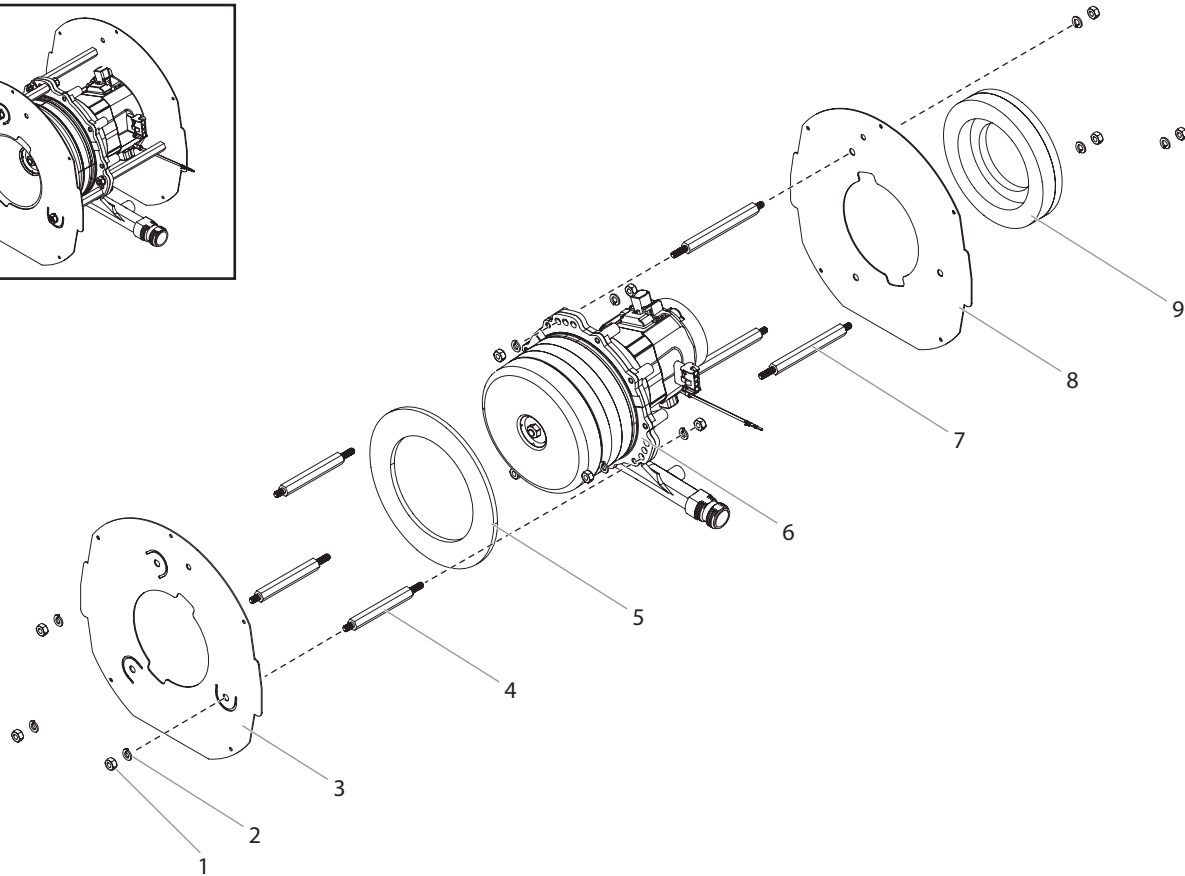
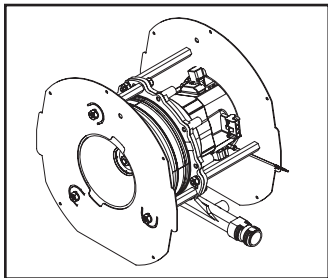
F ENSEMBLE TURBINE

RFB CONJUNTO DA TURBINA

D TURBINENANORDNUNG

I ASSEMBLAGGIO DELLA TURBINA

E CONJUNTO DE TURBINA





#	<b>FC9900 Plus</b>	Description	Benennung	Désignation
1	9810108	Nut	Mutter	Écrou
2	9821503	Lock washer	Unterlegscheibe	Rondelle Grower
3	0524998	Can cover	Behälterabdeckung	Couvercle de carter
4	0524590	Spacer	Abstandshalter	Entretoise
5	0277469	Foam disk	Schaumstoffscheibe	Disque en mousse
6	0524280A	5-Stage turbine assembly, 100V-110V~	5-stufige Turbinenanordnung, 100V-110V~	Ensemble turbine de 5 étapes, 100V-110V~
	0276133A	5-Stage turbine assembly, 220V-240V~	5-stufige Turbinenanordnung, 220V-240V~	Ensemble turbine de 5 étapes, 220V-240V~
7	0524591	Spacer	Abstandshalter	Entretoise
8	0524971A	Can cover	Behälterabdeckung	Couvercle de carter
9	0524687	Motor shroud seal	Motor-Dichtleiste	Joint d'étanchéité de carénage de moteur
	0276878	Motor brush kit	Motor-Bürstensatz	Trousse de brosse à moteur

#	<b>FC9900 Plus</b>	Denominazione	Descrição	Denominación
1	9810108	Dado	Porca	Tuerca
2	9821503	Fermadado	Arruela de fixação	Arandela de seguridad
3	0524998	Coperchio della scatola del filtro	Tampa da lata	Tapa del recipiente
4	0524590	Distanziatore	Espaçador	Separador
5	0277469	Disco in schiuma	Disco de espuma	Disco de espuma
6	0524280A	Assemblaggio della turbina a 5 stadi, 100V-110V~	Conjunto da turbina de 5 estágios, 100V-110V~	Conjunto de turbina de 5 etapas, 100V-110V~
	0276133A	Assemblaggio della turbina a 5 stadi, 220V-240V~	Conjunto da turbina de 5 estágios, 220V-240V~	Conjunto de turbina de 5 etapas, 220V-240V~
7	0524591	Distanziatore	Espaçador	Separador
8	0524971A	Coperchio della scatola del filtro	Tampa da lata	Tapa del recipiente
9	0524687	Guarnizione della copertura protettiva del motore	Vedação do envoltório do motor	Junta de la carcasa del motor
	0276878	Kit per le spazzole del motore	Kit de escova do motor	Kit de escobillas del motor

ILLUSTRATION DES PIÈCES DE RECHANGE

GB UPPER HOUSING ASSEMBLY

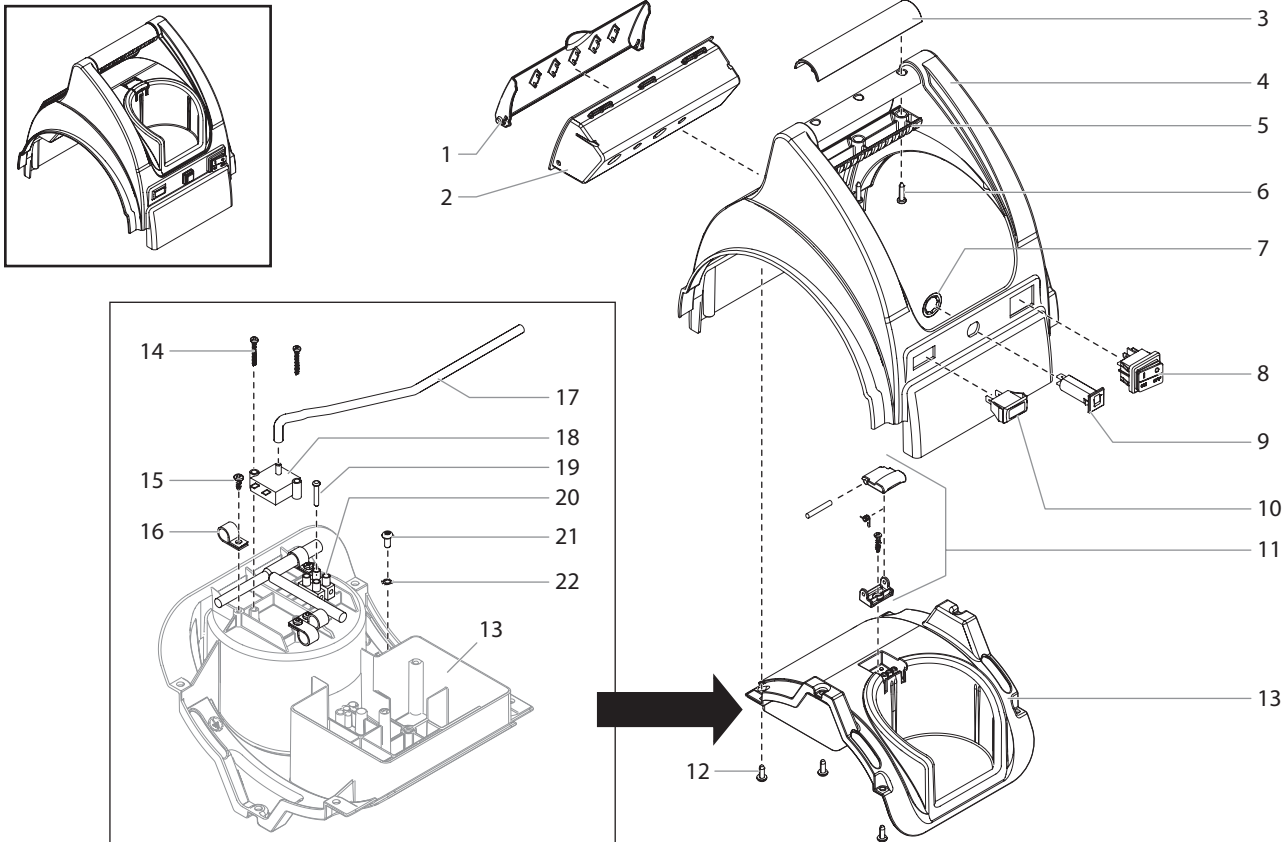
F ENSEMBLE BOÎTIER SUPÉRIEUR

RFB CONJUNTO DO COMPARTIMENTO SUPERIOR

D OBERE GEHÄUSEANORDNUNG

I ASSEMBLAGGIO DEL VANO DI ALLOGGIAMENTO SUPERIORE

E CONJUNTO DE LA CARCASA SUPERIOR



#	FC9900 Plus	Description	Benennung	Désignation
1	0524537	Tool box door	Zugang Werkzeugkasten	Porte de la boîte d'outils
2	0524538	Tool box	Werkzeugkasten	Boîte d'outils
3	0524557	Top handle	Oberer Griff	Poignée supérieure
4	0524531A	Upper housing	Oberes Gehäuse	Boîtier supérieur
5	0524558	Lower handle	Unterer Griff	Poignée inférieure
6	9802266	Screw	Schraube	Vis
7	0524963	Lock washer	Unterlegscheibe	Rondelle Grower
8	0524553	Switch	Schalter	Commutateur
9	0529549	Circuit breaker switch kit, 15A (100V-110V~)	Satz Trennschalter, 15A (100V-110V~)	Trousse de l'interrupteur du disjoncteur, 15 A (100V-110V~)
	N0078	Circuit breaker switch kit, 8A (220V-240V~)	Satz Trennschalter, 8A (220V-240V~)	Trousse de l'interrupteur du disjoncteur, 8 A (220V-240V~)
10	0524547	Warning light assembly (100V-110V~)	Anordnung für Warnleuchten (100V-110V~)	Ensemble témoin (100V-110V~)
	0276795	Warning light assembly (220V-240V~)	Anordnung für Warnleuchten (220V-240V~)	Ensemble témoin (220V-240V~)
11	0524996	Electrical cover assembly	Stromabdeckung	Ensemble couvercle électrique

#	FC9900 Plus	Description	Benennung	Désignation
12	9803104	Screw	Schraube	Vis
13	0524536	Cup holder	Becherhalter	Porte-gobelet
14	9805386	Screw	Schraube	Vis
15	9802265	Screw	Schraube	Vis
16	0524566	Cable clamp	Kabelschelle	Collier de câble
17	0277475	Tube	Rohr	Tuyau
18	0277472	Air flow switch	Schalter Luftdurchsatz	Interrupteur de débit d'air
19	9802905	Screw	Schraube	Vis
20	0524625	Wire assembly	Kabelsatz	Ensemble câbles
21	9805287	Ground screw	Erdungsschraube	Vis de borne de terre
22	9822106	Lock washer	Unterlegscheibe	Rondelle Grower

#	FC9900 Plus	Denominazione	Descrição	Denominación
1	0524537	Sportello del portautensili	Porta da caixa de ferramentas	Puerta de la caja de herramientas
2	0524538	Portautensili	Caixa de ferramentas	Caja de herramientas
3	0524557	Maniglia superiore	Maçaneta superior	Manilla superior
4	0524531A	Vano di alloggiamento superiore	Compartimento superior	Carcasa superior
5	0524558	Maniglia inferiore	Maçaneta inferior	Manilla inferior
6	9802266	Vite	Parafuso	Tornillo
7	0524963	Fermadado	Arruela de fixação	Arandela de seguridad
8	0524553	Commutatore	Interruptor	Interruptor
9	0524549	Kit per l'interruttore di circuito, 15 A (100V-110V~)	Kit do interruptor do disjuntor, 15 A (100V-110V~)	Kit del conmutador del interruptor automático, 15 V (100V-110V~)
	N0078	Kit per l'interruttore di circuito, 8 A (220V-240V~)	Kit do interruptor do disjuntor, 8 A (220V-240V~)	Kit del conmutador del interruptor automático, 8 V (220V-240V~)
10	0524547	Assemblaggio della spia di allarme (100V-110V~)	Conjunto de luz de aviso (100V-110V~)	Conjunto de luz de advertencia (100V-110V~)
	0276795	Assemblaggio della spia di allarme (220V-240V~)	Conjunto de luz de aviso (220V-240V~)	Conjunto de luz de advertencia (220V-240V~)
11	0524996	Assemblaggio del coperchio elettrico	Conjunto da tampa elétrica	Conjunto de la cubierta eléctrica
12	9803104	Vite	Parafuso	Tornillo
13	0524536	Reggicoppa	Suporte do copo	Soporte del depósito
14	9805386	Vite	Parafuso	Tornillo
15	9802265	Vite	Parafuso	Tornillo
16	0524566	Morsetto del cavo	Braçadeira de cabo	Abrazadera de cable
17	0277475	Tubo	Tubo	Tubo
18	0277472	Commutatore del flusso d'aria	Interruptor de fluxo de ar	Interruptor del flujo de aire
19	9802905	Vite	Parafuso	Tornillo
20	0524625	Assemblaggio del cavo	Conjunto do fio	Conjunto de cables
21	9805287	Vite di messa a terra	Parafuso de conexão à terra	Tornillo de conexión a tierra
22	9822106	Fermadado	Arruela de fixação	Arandela de seguridad

ILLUSTRATION DES PIÈCES DE RECHANGE

GB LOWER HOUSING ASSEMBLY

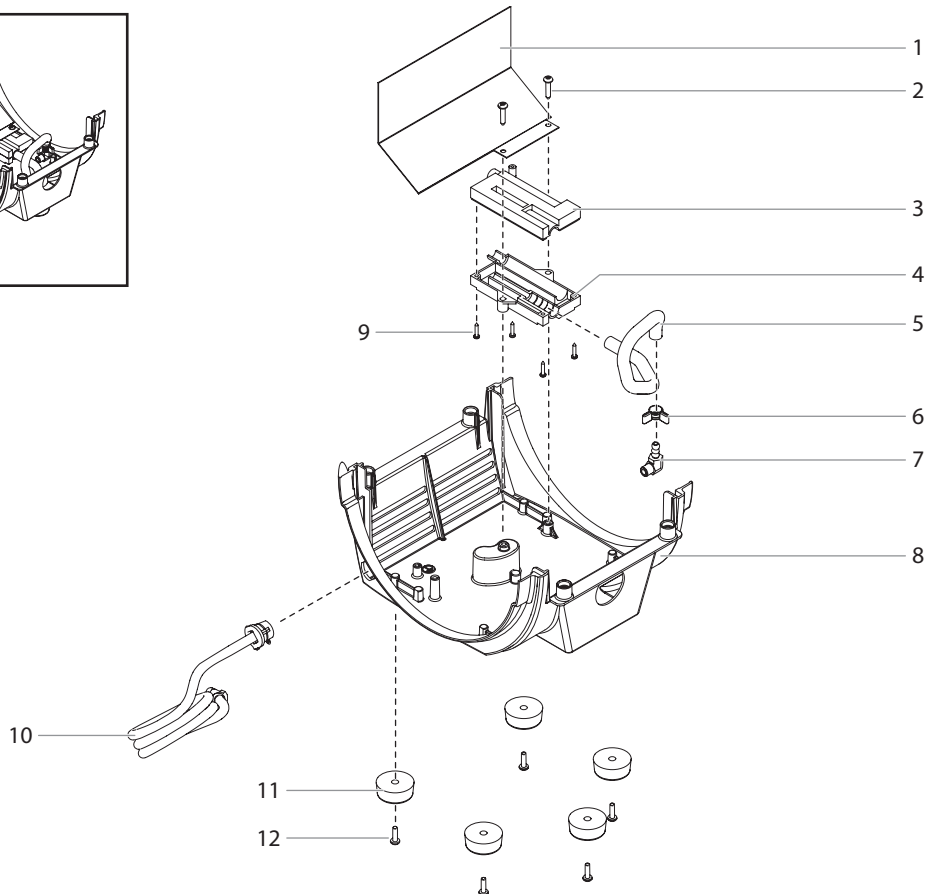
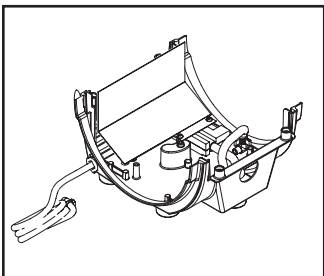
F ENSEMBLE BOÎTIER INFÉRIEUR

RFB CONJUNTO DO COMPARTIMENTO INFERIOR

D UNTERE GEHÄUSEANORDNUNG

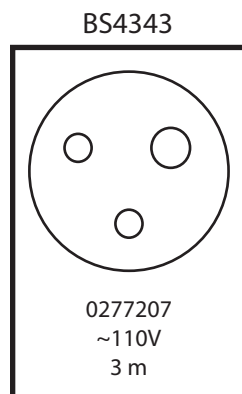
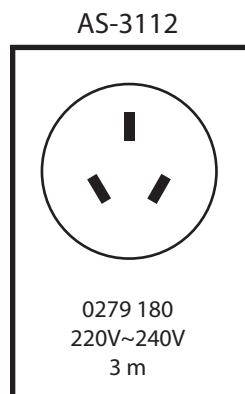
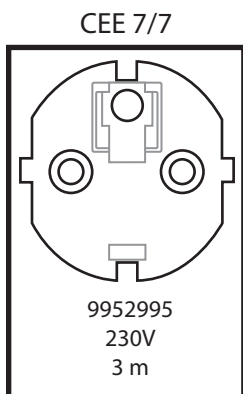
I ASSEMBLAGGIO DEL VANO DI ALLOGGIAMENTO INFERIORE

E CONJUNTO DE LA CARCASA INFERIOR



#	FC9900 Plus	Description	Benennung	Désignation
1	0277278	Water guard	Wasserschutz	Protecteur d'eau
2	9805387	Screw	Schraube	Vis
3	0277443	Bleeder box cover	Abdeckung Entlüfter	Couvercle de boîte de purge
4	0277442	Bleeder box base	Sockel Entlüfter	Base de boîte de purge
5	9881911	Exhaust hose	Abgasschlauch	Tuyau d'évacuation
6	0276512	Hose clamp	Schlauchschelle	Collier de serrage pour tuyaux flexibles
7	0276511	Exhaust hose fitting	Armatur Abgasschlauch	Raccord du tuyau d'évacuation
8	0524532A	Lower housing	Unteres Gehäuse	Boîtier inférieur
9	9802213	Screw	Schraube	Vis
10	-----	Cord / strain relief	Schnur / Zugentlastung	Cordon / serre-câble
11	0090628	Foot pad	Fuß-Auflage	Coussin charnu
12	9802222	Screw	Schraube	Vis

#	FC9900 Plus	Denominazione	Descrição	Denominación
1	0277278	Protezione dell'acqua	Protetor de água	Protector de agua
2	9805387	Vite	Parafuso	Tornillo
3	0277443	Coperchio della cassetta di spurgo	Tampa da caixa de sangria	Tapa de la caja del purgador
4	0277442	Base della cassetta di spurgo	Base da caixa de sangria	Base de la caja del purgador
5	9881911	Flessibile di scarico	Mangueira de exaustão	Manguera de escape
6	0276512	Morsetto del flessibile	Braçadeira da mangueira	Abrazadera de la manguera
7	0276511	Raccordo del flessibile di scarico	Encaixe da mangueira de exaustão	Acople de la manguera de escape
8	0524532A	Vano di alloggiamento inferiore	Compartimento inferior	Carcasa inferior
9	9802213	Vite	Parafuso	Tornillo
10	-----	Cavo/Serracavo	Cabo/dispositivo de alívio de tensão	Cable / protección contra tirones
11	0090628	Poggiapiedi	Apoio de pé	Almohadilla de la base
12	9802222	Vite	Parafuso	Tornillo



**GB WIRING DIAGRAM**

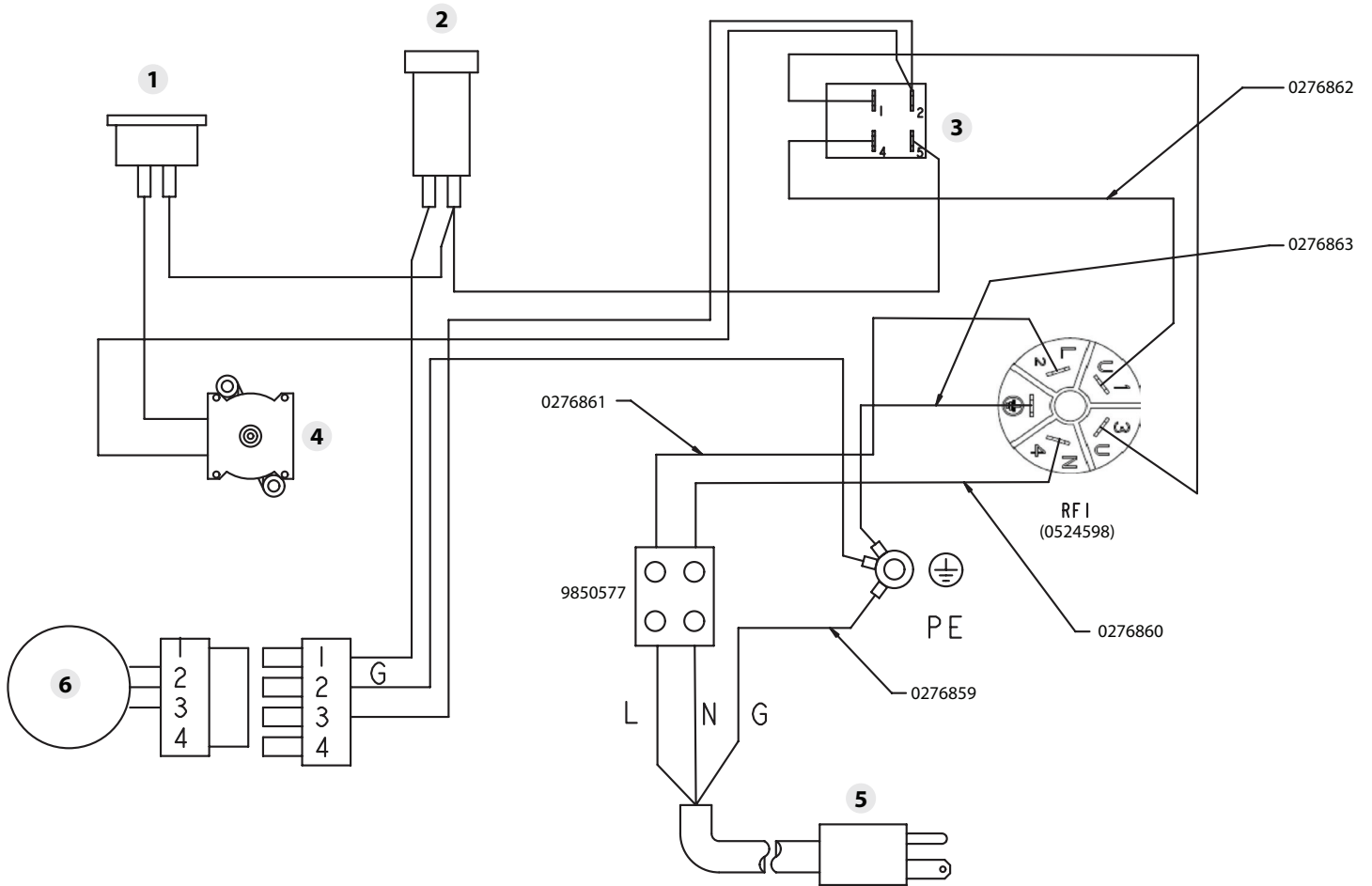
**F DIAGRAMME DU CÂBLAGE**

**RFB DIAGRAMA DE CONEXÕES**

**D SCHALTPLAN**

**I SCHEMA DI CABLAGGIO**

**E DIAGRAMA DE CABLEADO**



#	FC9900 Plus	Description	Benennung	Désignation
1	0524547	Warning light assembly (100V-110V~)	Anordnung für Warnleuchten (100V-110V~)	Ensemble témoin (100V-110V~)
	0276795	Warning light assembly (220V-240V~)	Anordnung für Warnleuchten (220V-240V~)	Ensemble témoin (220V-240V~)
2	0524549	Circuit breaker (100V-110V~)	Leistungsschalter (100V-110V~)	Disjoncteur (100V-110V~)
	0276877	Circuit breaker (220V-240V~)	Leistungsschalter (220V-240V~)	Disjoncteur (220V-240V~)
3	0524553	ON/OFF switch	EIN/AUS-Schalter	Commutateur
4	0277472	Air flow switch	Schalter Luftdurchsatz	Interrupteur de débit d'air
5	-----	Power cord	Stromkabel	Cordon d'alimentation
6	-----	Turbine	Turbine	Turbine

#	FC9900 Plus	Denominazione	Descrição	Denominación
1	0524547	Assemblaggio della spia di allarme (100V-110V~)	Conjunto de luz de aviso (100V-110V~)	Conjunto de luz de advertencia (100V-110V~)
	0276795	Assemblaggio della spia di allarme (220V-240V~)	Conjunto de luz de aviso (220V-240V~)	Conjunto de luz de advertencia (220V-240V~)
2	0524549	Interruttore di circuito (100V-110V~)	Disjuntor (100V-110V~)	Interruptor automático (100V-110V~)
	0276877	Interruttore di circuito (220V-240V~)	Disjuntor (220V-240V~)	Interruptor automático (220V-240V~)
3	0524553	Commutatore di accensione/spegnimento	Chave de posição ON/OFF	Interruptor ON/OFF
4	0277472	Commutatore del flusso d'aria	Interruptor de fluxo de ar	Interruptor del flujo de aire
5	-----	Cavo di alimentazione	Cabo de energia	Cable de alimentación
6	-----	Turbina	Turbina	Turbina

<b>GB</b>	<p><b>EU Declaration of conformity</b></p> <p>We declare under sole responsibility that this product conforms to the following relevant stipulations: 2006/42/EC, 2014/30/EU, 2011/65/EU, 2012/19/EU Applied harmonised norms: EN ISO 12100, EN 1953, EN 60204-1, EN 61000-3-2, EN 61000-3-3, EN 61000-6-1, EN 61000-6-3</p> <p>The EU declaration of conformity is enclosed with the product. If required, it can be re-ordered using order number <b>2389561</b>.</p>
<b>D</b>	<p><b>EU Konformitätserklärung</b></p> <p>Wir erklären in alleiniger Verantwortung, dass dieses Produkt den folgenden einschlägigen Bestimmungen entspricht: 2006/42/EG, 2014/30/EU, 2011/65/EU, 2012/19/EU Angewandte harmonisierte Normen: EN ISO 12100, EN 1953, EN 60204-1, EN 61000-3-2, EN 61000-3-3, EN 61000-6-1, EN 61000-6-3</p> <p>Die EU Konformitätserklärung liegt dem Produkt bei. Sie kann bei Bedarf mit der Bestellnummer <b>2389561</b> nachbestellt werden.</p>
<b>F</b>	<p><b>Déclaration de conformité UE</b></p> <p>Nous déclarons sous notre responsabilité que ce produit est en conformité avec les réglementations suivantes: 2006/42/CE, 2014/30/UE, 2011/65/UE, 2012/19/UE Conforme aux normes et documents normalisés: EN ISO 12100, EN 1953, EN 60204-1, EN 61000-3-2, EN 61000-3-3, EN 61000-6-1, EN 61000-6-3</p> <p>La déclaration de conformité UE est jointe à ce produit. Elle peut être commandée au besoin sous le numéro de commande <b>2389561</b>.</p>
<b>I</b>	<p><b>Dichiarazione di conformità UE</b></p> <p>Dichiariamo sotto la nostra esclusiva responsabilità, che il presente prodotto corrisponde alle relative disposizioni seguenti: 2006/42/CE, 2014/30/UE, 2011/65/UE, 2012/19/UE Norme armonizzate: EN ISO 12100, EN 1953, EN 60204-1, EN 61000-3-2, EN 61000-3-3, EN 61000-6-1, EN 61000-6-3</p> <p>La dichiarazione di conformità UE è allegata al prodotto. Se necessario, può esserne richiesta una copia con il numero d'ordine <b>2389561</b>.</p>
<b>E</b>	<p><b>Declaración UE de conformidad</b></p> <p>Mediante la presente garantizamos, bajo nuestra exclusiva responsabilidad, que este producto cumple con las correspondientes disposiciones: 2006/42/CE, 2014/30/UE, 2011/65/UE, 2012/19/UE Normas armonizadas aplicadas: EN ISO 12100, EN 1953, EN 60204-1, EN 61000-3-2, EN 61000-3-3, EN 61000-6-1, EN 61000-6-3</p> <p>El producto viene acompañado de la declaración UE de conformidad. Si lo necesita, puede pedirla adicionalmente por el número de pedido <b>2389561</b>.</p>
<b>NL</b>	<p><b>EU-conformiteitsverklaring</b></p> <p>Wij verklaren dat dit product voldoet aan de volgende normen: 2006/42/EG, 2014/30/EU, 2011/65/EU, 2012/19/EU En normatieve documenten: EN ISO 12100, EN 1953, EN 60204-1, EN 61000-3-2, EN 61000-3-3, EN 61000-6-1, EN 61000-6-3</p> <p>De EU-conformiteitsverklaring wordt met het product meegeleverd. Indien nodig kan de verklaring met bestelnummer <b>2389561</b> worden nabesteld.</p>



DK	<p><b>EU Overensstemmelseserklæring</b></p> <p>Vi erklærer under almindeligt ansvar, at dette produkt er i overensstemmelse med følgende bestemmelser: 2006/42/EF, 2014/30/EU, 2011/65/EU, 2012/19/EU</p> <p>Anvendte harmoniserede normer: EN ISO 12100, EN 1953, EN 60204-1, EN 61000-3-2, EN 61000-3-3, EN 61000-6-1, EN 61000-6-3</p> <p>EU Overensstemmelseserklæringen er vedlagt produktet. Om nødvendigt kan den efterbestilles med bestillingsnummer <b>2389561</b>.</p>
S	<p><b>EU Konformitetsförklaring</b></p> <p>Vi intygar och ansvarar för, att denna produkt överensstämmer med följande norm och dokument: 2006/42/EG, 2014/30/EU, 2011/65/EU, 2012/19/EU</p> <p>Använta harmoniserade normer: EN ISO 12100, EN 1953, EN 60204-1, EN 61000-3-2, EN 61000-3-3, EN 61000-6-1, EN 61000-6-3</p> <p>EU-konformitetsförklaringen medföljer produkten. Den kan vid behov beställas genom ordernummer <b>2389561</b>.</p>
P	<p><b>Declaração de Conformidade UE</b></p> <p>Pela presente garantimos, sob a nossa exclusiva responsabilidade, que este produto cumpre com as correspondentes disposições: 2006/42/CE, 2014/30/UE, 2011/65/UE, 2012/19/UE</p> <p>Normas harmonizadas aplicadas: EN ISO 12100, EN 1953, EN 60204-1, EN 61000-3-2, EN 61000-3-3, EN 61000-6-1, EN 61000-6-3</p> <p>A Declaração de Conformidade EU é fornecida juntamente com o produto. Se necessário, pode ser pedido novo exemplar desta declaração com o número de encomenda <b>2389561</b>.</p>

- GB -

Note on disposal:

In observance of the European Directive 2002/96/EC on waste electrical and electronic equipment and implementation in accordance with national law, this product is not to be disposed of together with household waste material but must be recycled in an environmentally friendly way!

Wagner or one of our dealers will take back your used Wagner waste electrical or electronic equipment and will dispose of it for you in an environmentally friendly way. Please ask your local Wagner service centre or dealer for details or contact us direct.



- D -

Entsorgungshinweis:

Gemäß der europäischen Richtlinie 2002/96/EG zur Entsorgung von Elektro-Altgeräten, und deren Umsetzung in nationales Recht, ist dieses Produkt nicht über den Hausmüll zu entsorgen, sondern muss der umweltgerechten Wiederverwertung zugeführt werden!

Ihr Wagner-Altgerät wird von uns, bzw. unseren Handelsvertretungen zurückgenommen und für Sie umweltgerecht entsorgt. Wenden Sie sich in diesem Fall an einen unserer Service-Stützpunkte, bzw. Handelsvertretungen oder direkt an uns.



- F -

Consignes d'élimination:

Selon la directive européenne 2002/96/CE sur l'élimination des vieux appareils électriques et sa conversion en droit national, ce produit ne peut pas être jeté dans les ordures ménagères, mais est à amener à un point de recyclage en vue d'une élimination dans le respect de l'environnement!

Wagner, resp. nos représentations commerciales reprennent votre vieil appareil Wagner pour l'éliminer dans le respect de l'environnement. Adressez-vous donc directement à nos points de service resp. représentations commerciales ou directement à nous.



- I -

Indicazione per lo smaltimento:

Secondo la direttiva europea 2002/96/CE per lo smaltimento di vecchi apparecchi elettrici e la sua conversione nel diritto nazionale, questo prodotto non va smaltito attraverso i rifiuti domestici, bensì va smaltito portandolo al riutilizzo in conformità della tutela ambiente!

Il Vs. apparecchio vecchio Wagner verrà preso indietro da noi risp. dalle nostre rappresentanze commerciali e smaltito per Voi in conformità della tutela ambiente. In questo caso rivolgetevi ad uno dei nostri punti di servizio per l'assistenza clienti, risp. ad una delle nostre rappresentanze commerciali oppure direttamente a noi.



- RFB -

Note on disposal:

Em observância à Diretiva Europeia 2002/96/EC sobre equipamentos elétricos e eletrônicos descartados e implementação conforme a legislação nacional, este produto não deve ser descartado junto ao lixo doméstico, devendo ser reciclado de forma ambiental!

A Wagner ou um dos nossos revendedores receberá seu equipamento elétrico ou eletrônico Wagner usado e o descartará de forma ambiental. Solicite detalhes ao seu centro de serviço local Wagner ou entre em contato diretamente conosco.



- E -

Observación sobre la eliminación de residuos:

De acuerdo con la directriz europea 2002/96/CE referente a la eliminación de aparatos eléctricos usados y su puesta en la práctica en el derecho nacional, este producto no se deberá eliminar en la basura doméstica, ¡sino que se deberá llevar a una planta de reciclaje ecológico!

Su aparato usado de Wagner nos lo puede entregar a nosotros o a una de nuestras agencias comerciales, del resto nos ocupamos nosotros, es decir, de la eliminación ecológica de los residuos. Diríjase en este caso a uno de nuestros centros de asistencia técnica o a una de nuestras agencias comerciales o bien directamente a nosotros.



**Berlin**

J. Wagner GmbH  
Servicestützpunkt  
Flottenstraße 28-42  
13407 Berlin  
T 030 - 41109386  
F 030 - 41109387

**Ratingen**

J. Wagner GmbH  
Servicestützpunkt  
Siemensstraße 6-10  
40885 Ratingen  
T 02102 - 31037  
F 02102 - 34395

**Heidersdorf in Sachsen**

J. Wagner GmbH  
Servicestützpunkt  
Olbernhauer Straße 11  
09526 Heidersdorf  
T 037361 - 15707  
F 037361 - 15708

**Kassel**

J. Wagner GmbH  
Servicestützpunkt  
Fliederweg 3  
34305 Niedenstein  
T 05624 - 925537  
F 05624 - 925538

**München**

Jahnke GmbH  
Rathausstraße 13  
85640 Putzbrunn  
T 089 - 6140022  
F 089 - 6140433  
email: info@airless.de  
www.airless.de

**Nürnberg**

Grimmer GmbH  
Siemensstraße 16-18  
91126 Rednitzhembach  
T 09122 - 79473  
F 09122 - 794750  
email: info@grimmer-sc.de  
www.grimmer-sc.de

**Markdorf – Zentrale**

J. Wagner GmbH  
Otto-Lilienthal-Straße 18  
88677 Markdorf  
Postfach 11 20  
88669 Markdorf  
T 07544 - 505 - 0  
F 07544 - 505-1200  
www.wagner-group.com

**Kundenzentrum**

T 07544 - 505-1666  
F 07544 - 505-1155  
email: kundenzentrum@wagner-group.com

**Technischer Service**

T 0180 - 55924637  
(14 Cent/Minute aus dem deutschen  
Festnetz, Mobilfunk max. 42 Cent/Min)

**WAGNER KONTAKTNETZ DEUTSCHLAND, IM INTERNET ZU FINDEN UNTER: [GO.WAGNER-GROUP.COM/PROFI](http://GO.WAGNER-GROUP.COM/PROFI)**

- A** J. Wagner Ges.m.b.H.  
Ottogasse 2/20  
2333 Leopoldsdorf  
Österreich  
Tel. +43/ 2235 / 44 158  
Telefax +43/ 2235 / 44 163  
office@wagner-group.at
- B** WSB Finishing Equipment  
Veilinglaan 56-58  
1861 Meise-Wolvertem  
Belgium  
Tel. +32/2/269 46 75  
Telefax +32/2/269 78 45  
info@wagner-wsb.nl
- CH** Wagner International AG  
Industriestrasse 22  
9450 Altstätten  
Schweiz  
Tel. +41/71 / 7 57 22 11  
Telefax +41/71 / 7 57 22 22  
wagner@wagner-group.ch
- D** J. Wagner GmbH  
Otto-Lilienthal-Straße 18  
D-88677 Markdorf  
Postfach 11 20  
D-88669 Markdorf  
Deutschland  
Tel.: +49 / 75 44 / 505 -1664  
Fax: +49 / 75 44 / 505 -1155  
wagner@wagner-group.com  
www.wagner-group.com
- CZ** E-Coreco s.r.o.  
Na Roudné 102  
301 00 Plzeň  
Czechia  
Tel. +420 734 792 823  
Telefax 420 227 077 364  
info@aplikacebarev.cz
- DK** Wagner Spraytech  
Scandinavia A/S  
Helgeshøj Allé 28  
2630 Taastrup  
Denmark  
Tel. +45 43 27 18 18  
Telefax +45 43 43 05 28  
wagner@wagner-group.dk
- E** Makimport Herramientas, S.L.  
C/ Méjico nº 6  
Pol. El Descubrimiento  
28806 Alcalá de Henares (Madrid)  
Tel. 902 199 021/ 91 879 72 00  
Telefax 91 883 19 59  
ventas@grupo-k.es  
info@grupo-k.es
- F** Euromair Antony  
S.A.V. Ile-de-France  
12-14, av. F. Sommer  
92160 Antony  
Tel. 01.55.59.92.42  
Telefax +33 (0) 1 69 81 72 57  
conseil.paris@euromair.com
- F** Euromair Distribution  
Siège Social / S.A.V. Sud  
343, bd. F. Perrin  
13106 Rousset Cedex  
Tel. 04.42.29.08.96  
Telefax 04.42.53.44.36  
conseil@euromair.com
- GB** Wagner Spraytech (UK) Limited  
Innovation Centre  
Silverstone Park  
Silverstone  
Northants NN12 8GX  
Great Britain  
Tel. 01327 368410  
enquiries@wagnerspraytech.co.uk
- I** Wagner S.p.A.  
23868 Valmadrera (Lc)  
Via Santa Vecchia, 109  
Italia  
Tel./Fax 0341 210100 (centralino)  
wagner\_it\_va@wagner-group.com
- NL** WSB Finishing Equipment BV  
De Heldinnenlaan 200,  
3543 MB Utrecht  
Netherlands  
Tel. +31/ 30/241 41 55  
Telefax +31/ 30/241 17 87  
info@wagner-wsb.nl
- S** Wagner Spraytech  
Scandinavia A/S  
Helgeshøj Allé 28  
2630 Taastrup  
Denmark  
Tel. +45 43 27 18 18  
Telefax +45 43 43 05 28  
wagner@wagner-group.dk
- RU** ООО Мефферт Полилюкс  
142407 Россия, Московская обл,  
Ногинский р-н, территория  
«Ногинск-Технопарк» д.14  
Tel. +7 495 221 6666  
Telefax +7 495 99 55 88 2  
2216666@m-p-l.ru  
dis@m-p-l.ru

**www.wagner-group.com**